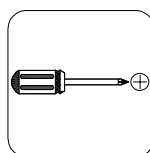
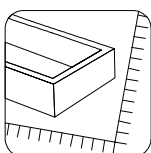
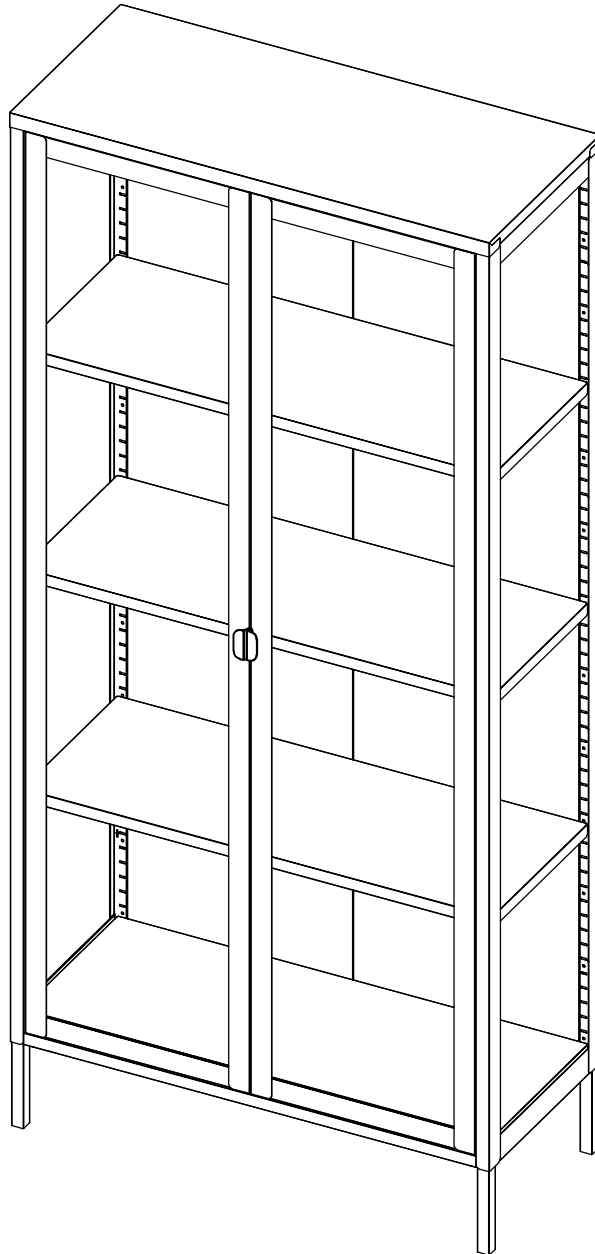
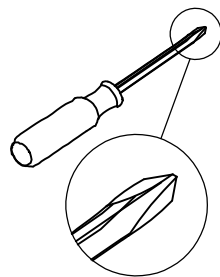
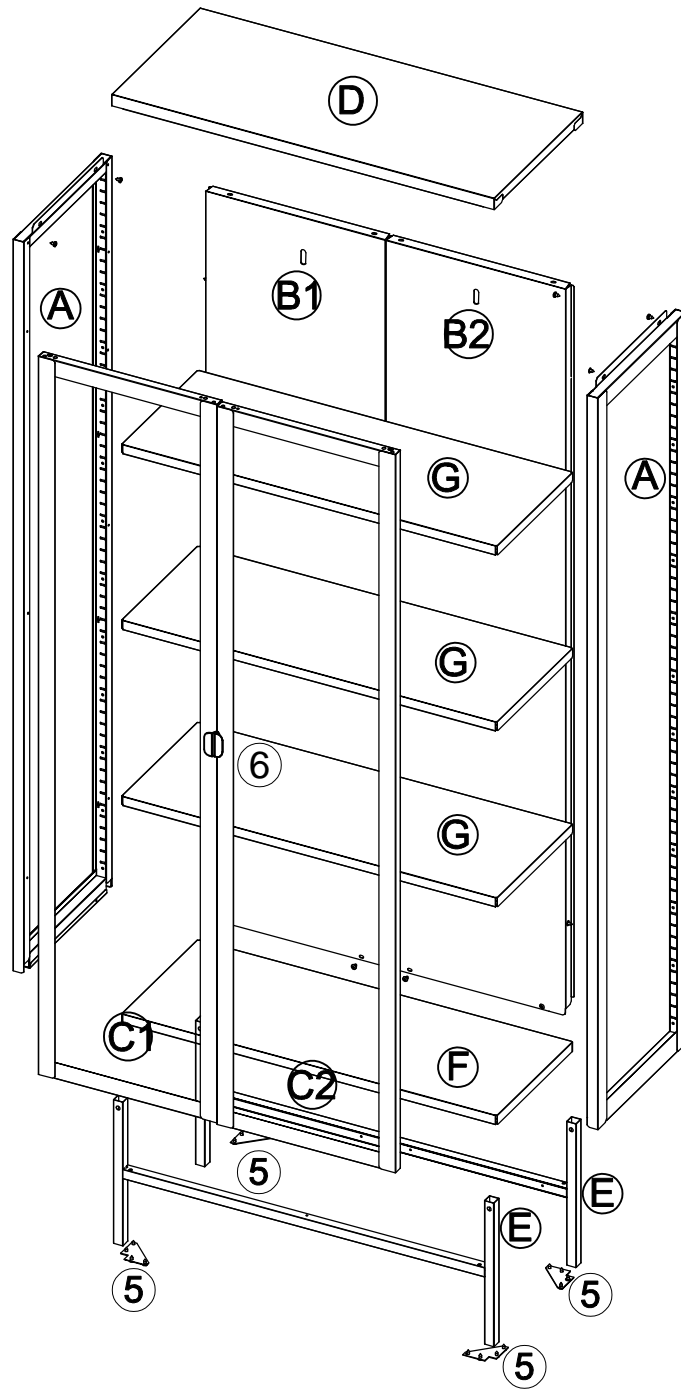


3001041

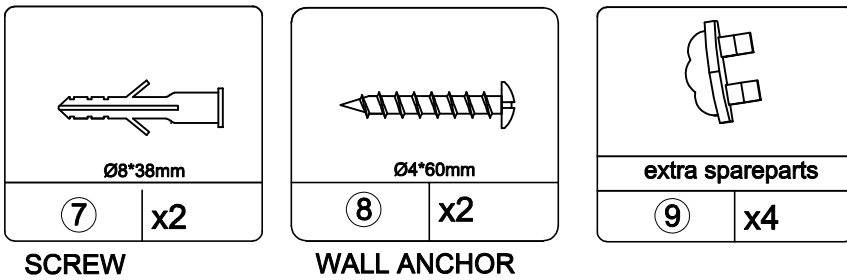
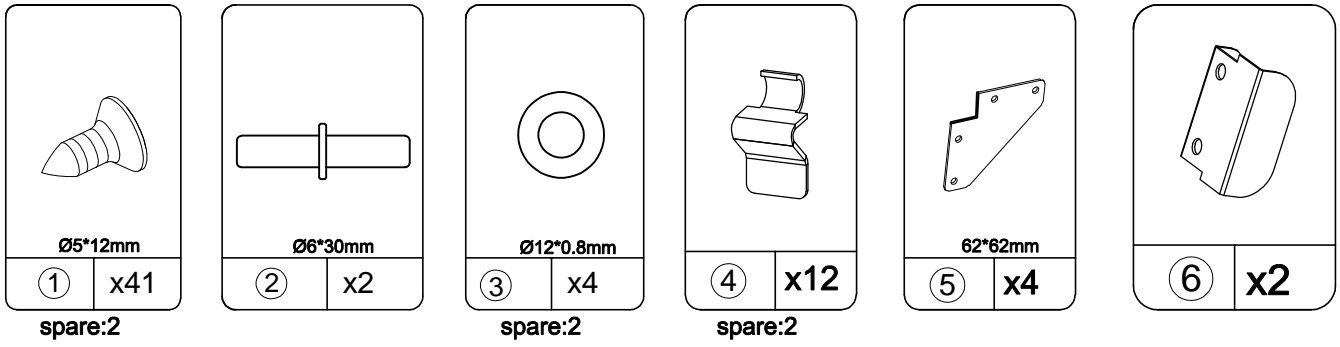
Brisbane Display Cabinet,  
white with glass doors





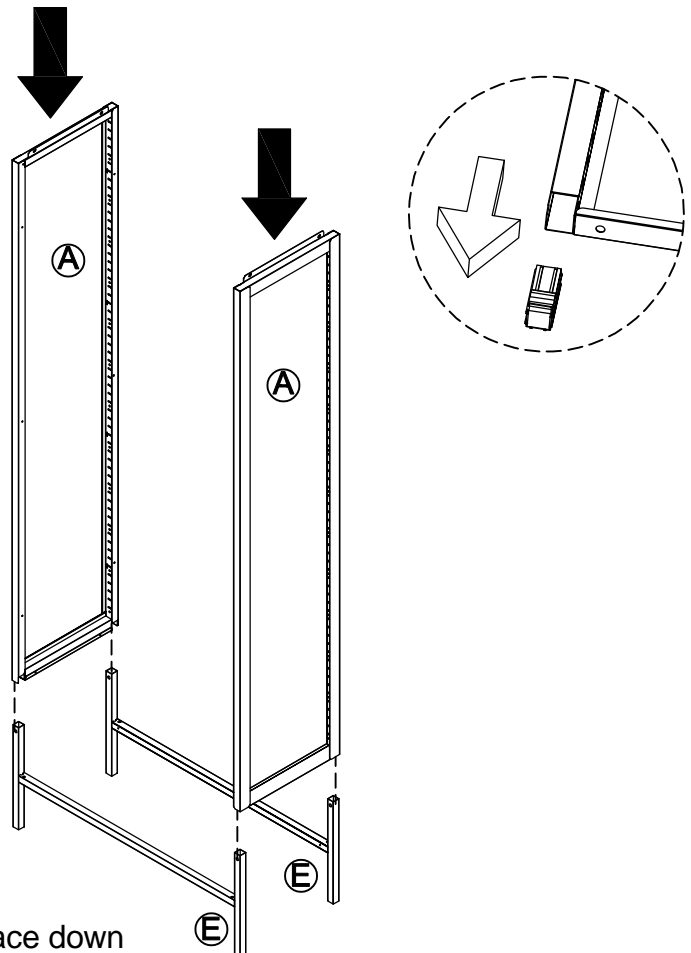
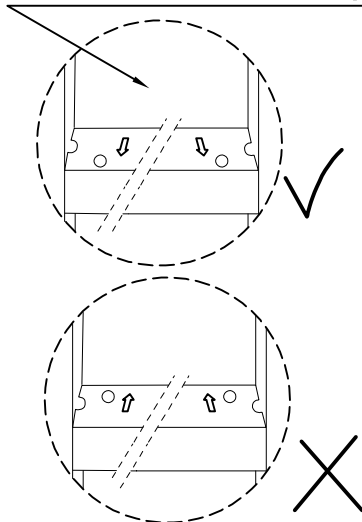
Hardware	Ctn No.	1
----------	---------	---

No.	Size	Qty
A	1648x350x24mm	2
B1	1620x380x23mm	1
B2	1620x384.5x23mm	1
C1	1601x374x20mm	1
C2	1601x374x20mm	1
D	801.5x352x38mm	1
E	280x796.5x20mm	2
F	786x301x25mm	1
G	786x300x20mm	3



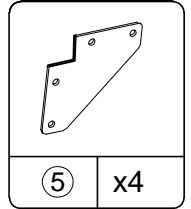
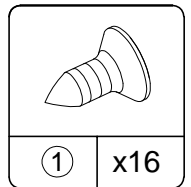
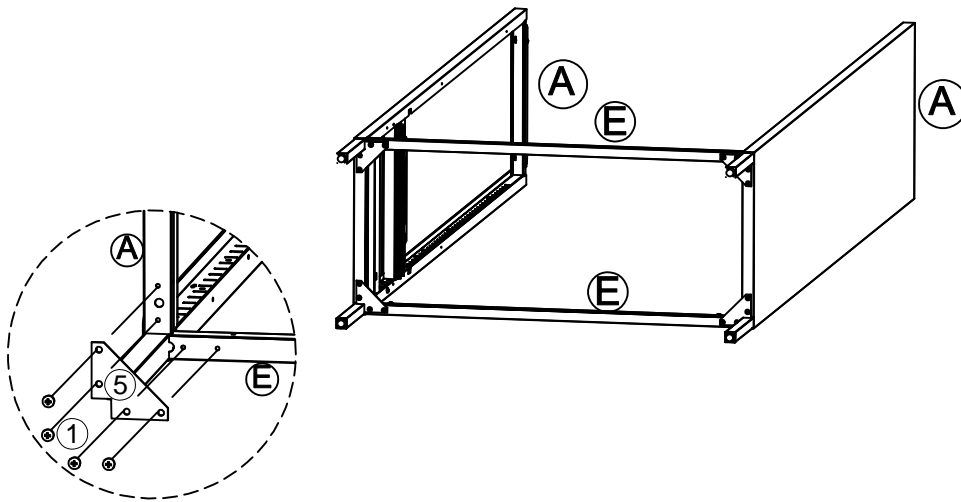
(1) - Attach (A) to (E) as below shown.

Make sure the holes are nearest to outside otherwise will affect door assembling.

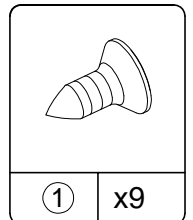
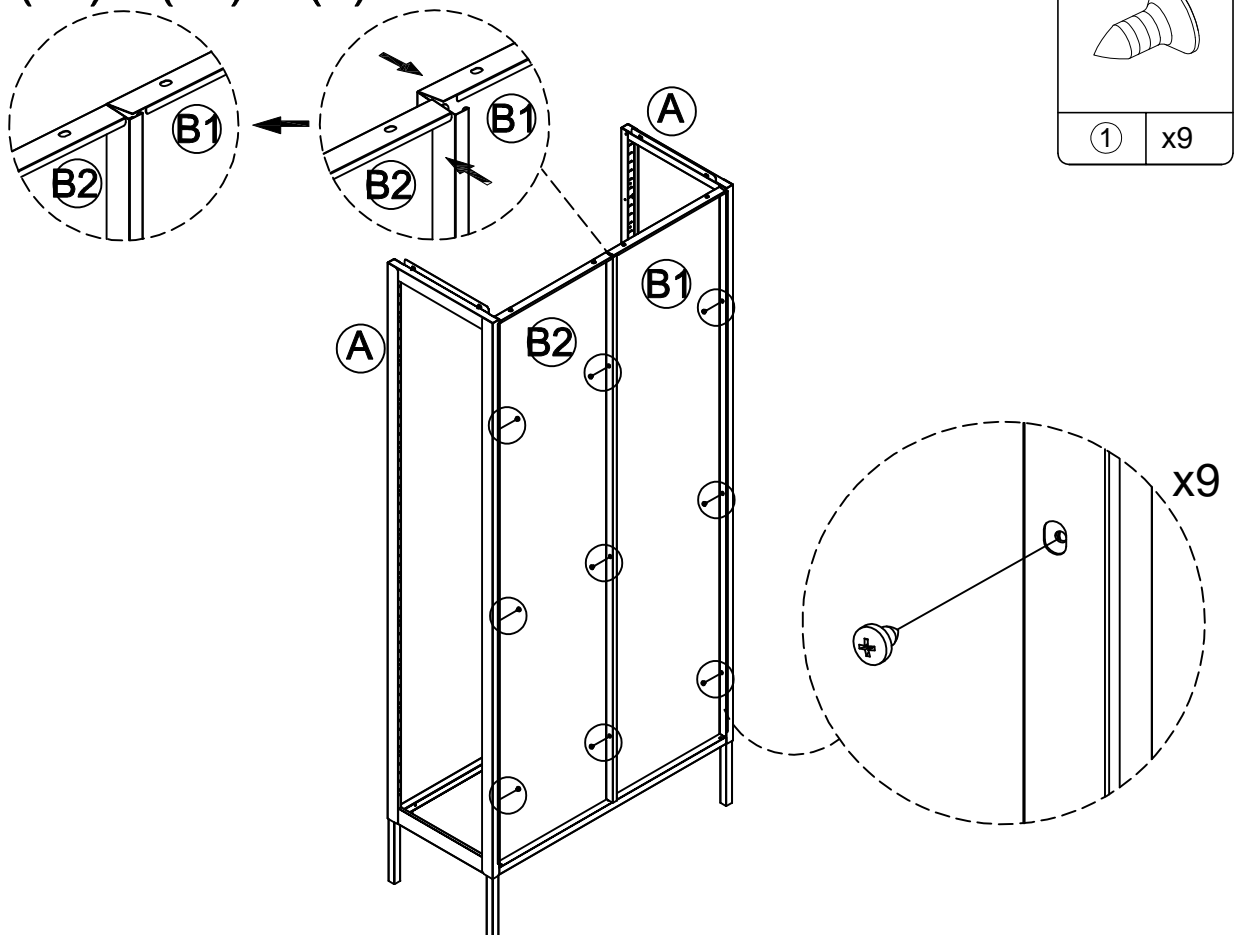


The plastic foot cover face down

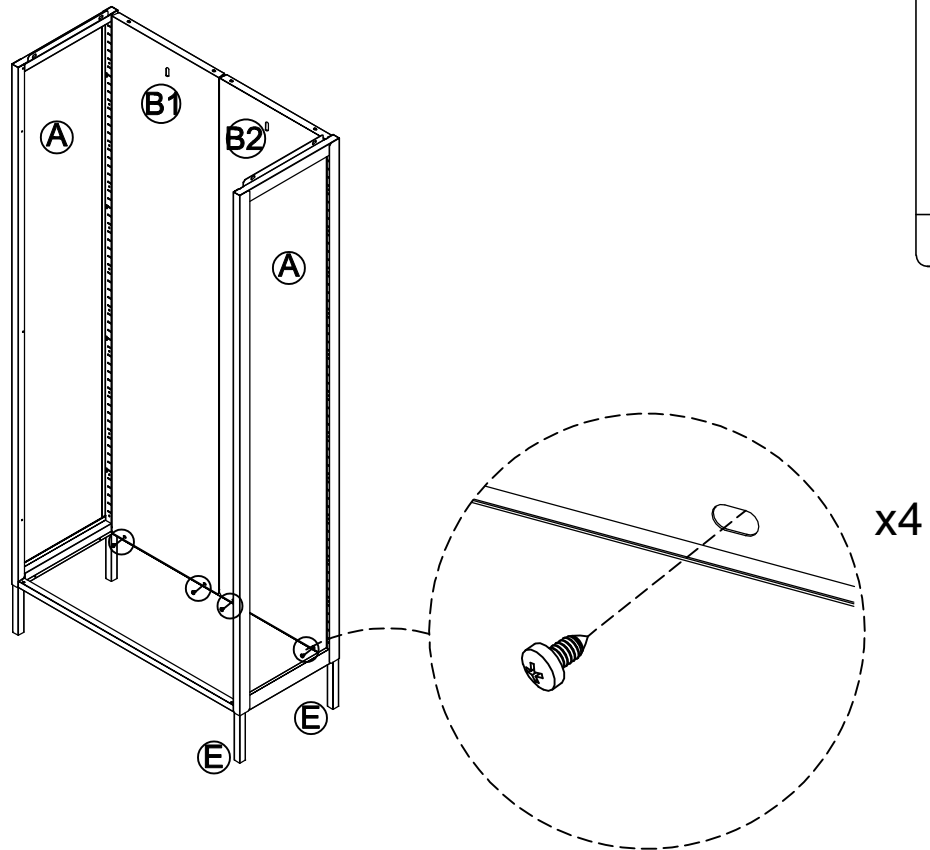
(2) - Attach ⑤ to (A)&(E) as below shown.



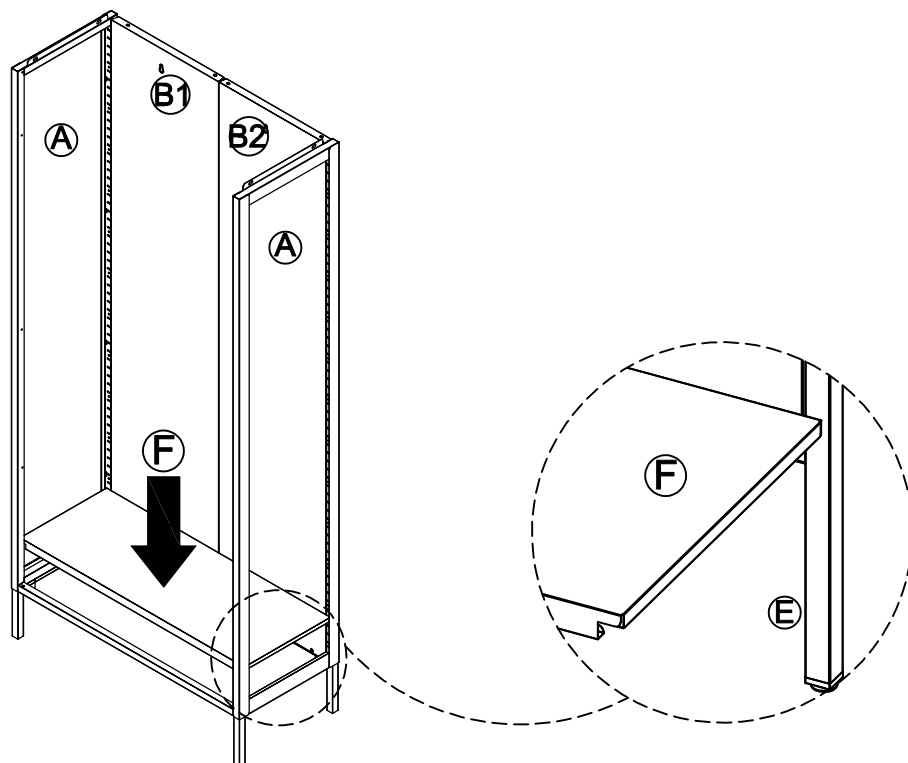
(3) - Attach (B1) & (B2) to (A) as below shown.



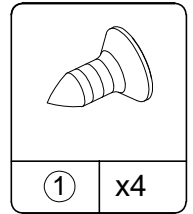
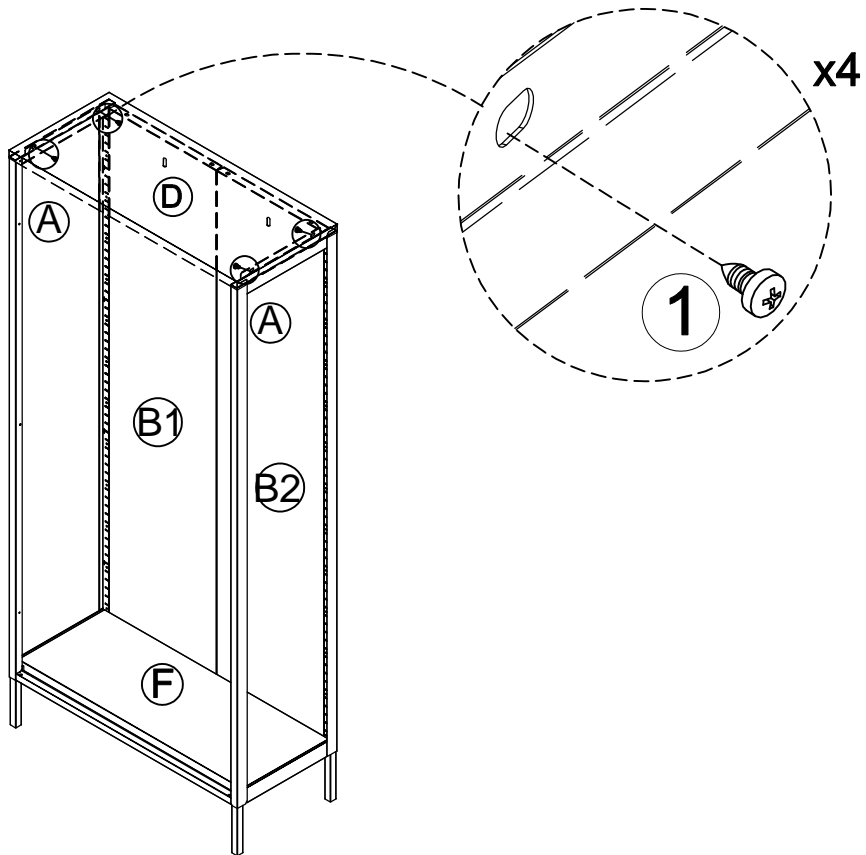
(4) - Attach (B) to (A) & (E) as below shown.



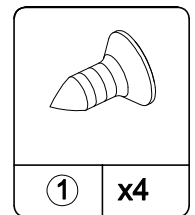
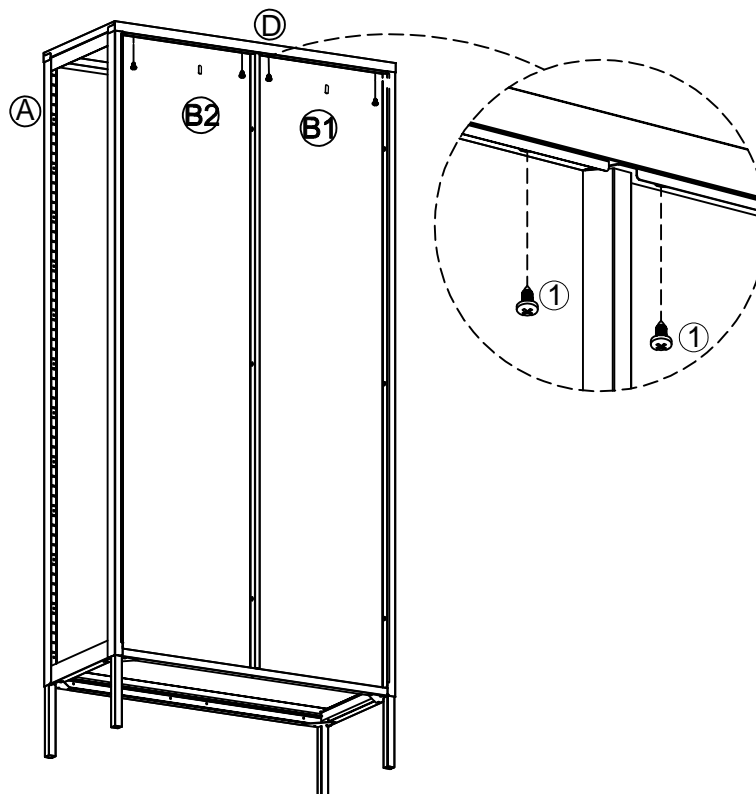
(5) - Attach (F) to (A) & (B) & (E) as below shown.



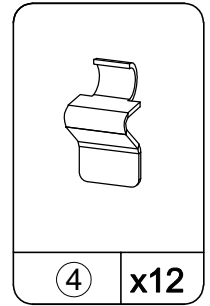
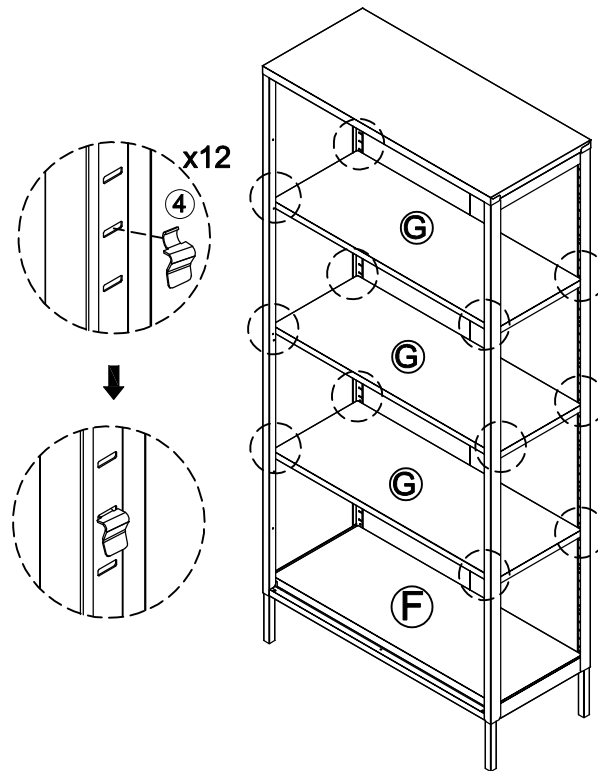
(6) - Attach (D) to (A) & (B) as below shown.



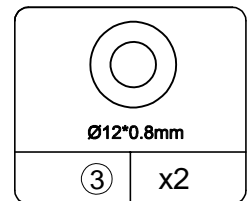
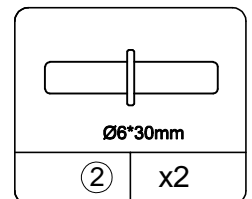
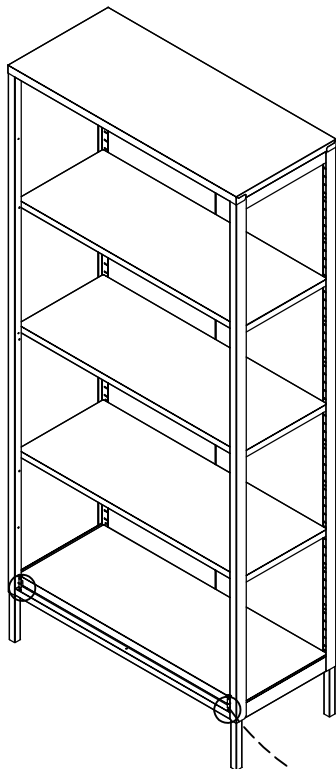
(7) - Attach (B) & (8) to (D) as below shown.



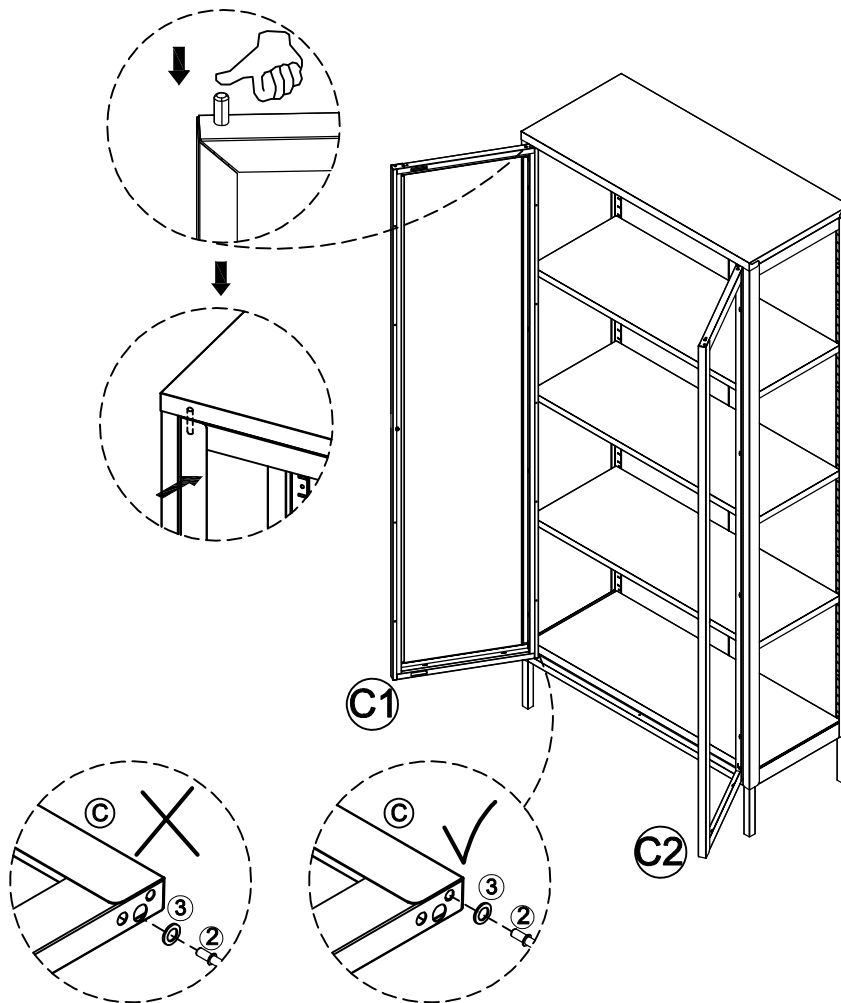
(8) - Attach (G) to pre-assembled unit as below shown.



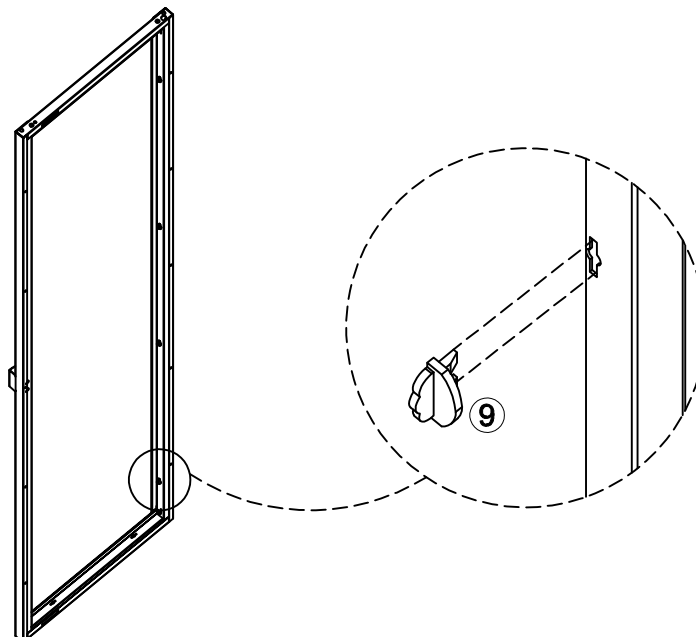
(9) - Attach (2) & (3) to pre-assembled unit as below shown.



(10) - Attach (C) to pre-assembled unit as below shown.

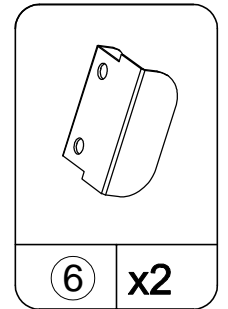
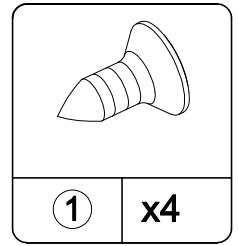
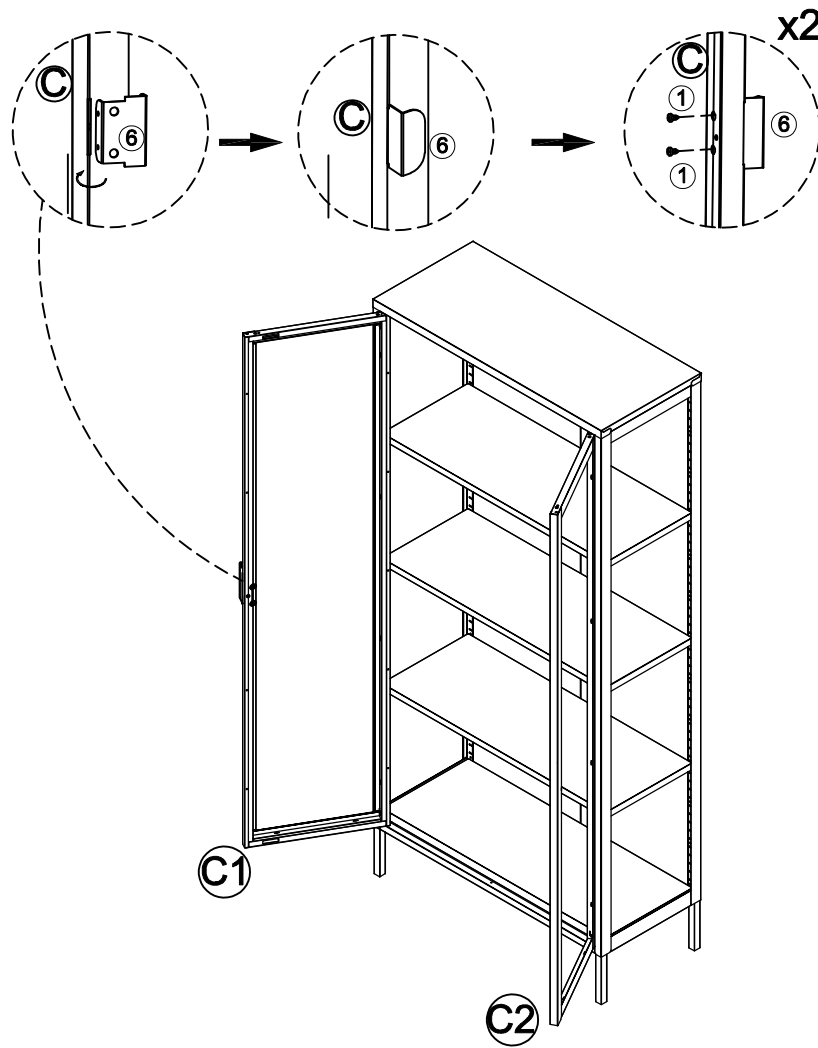


**spare parts of glass buckle**





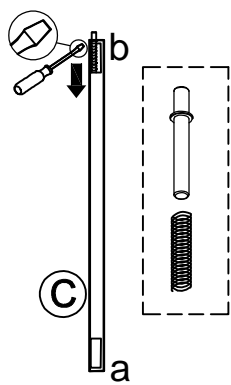
(11) - Attach (6) to (C) as below shown.



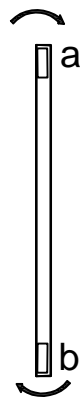
**door pillar exchange process**

**WARNING**

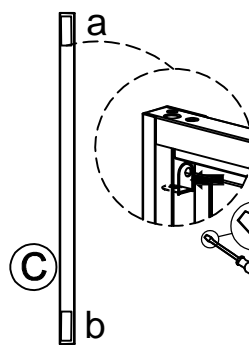
This step is just to switch the left door to the right door!



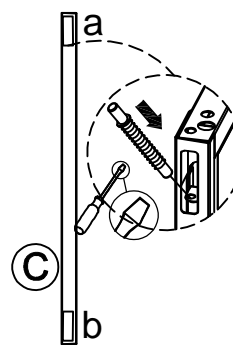
**STEP 1**



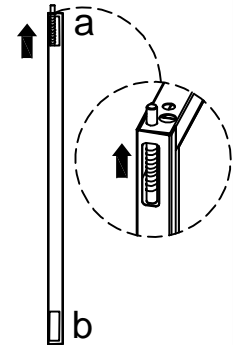
**STEP 2**



**STEP 3**

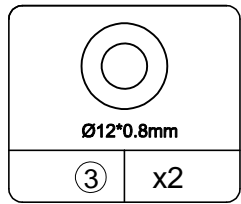
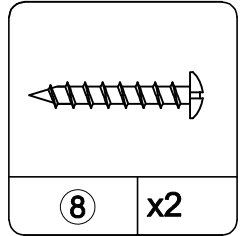
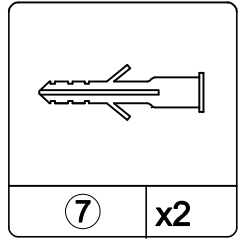
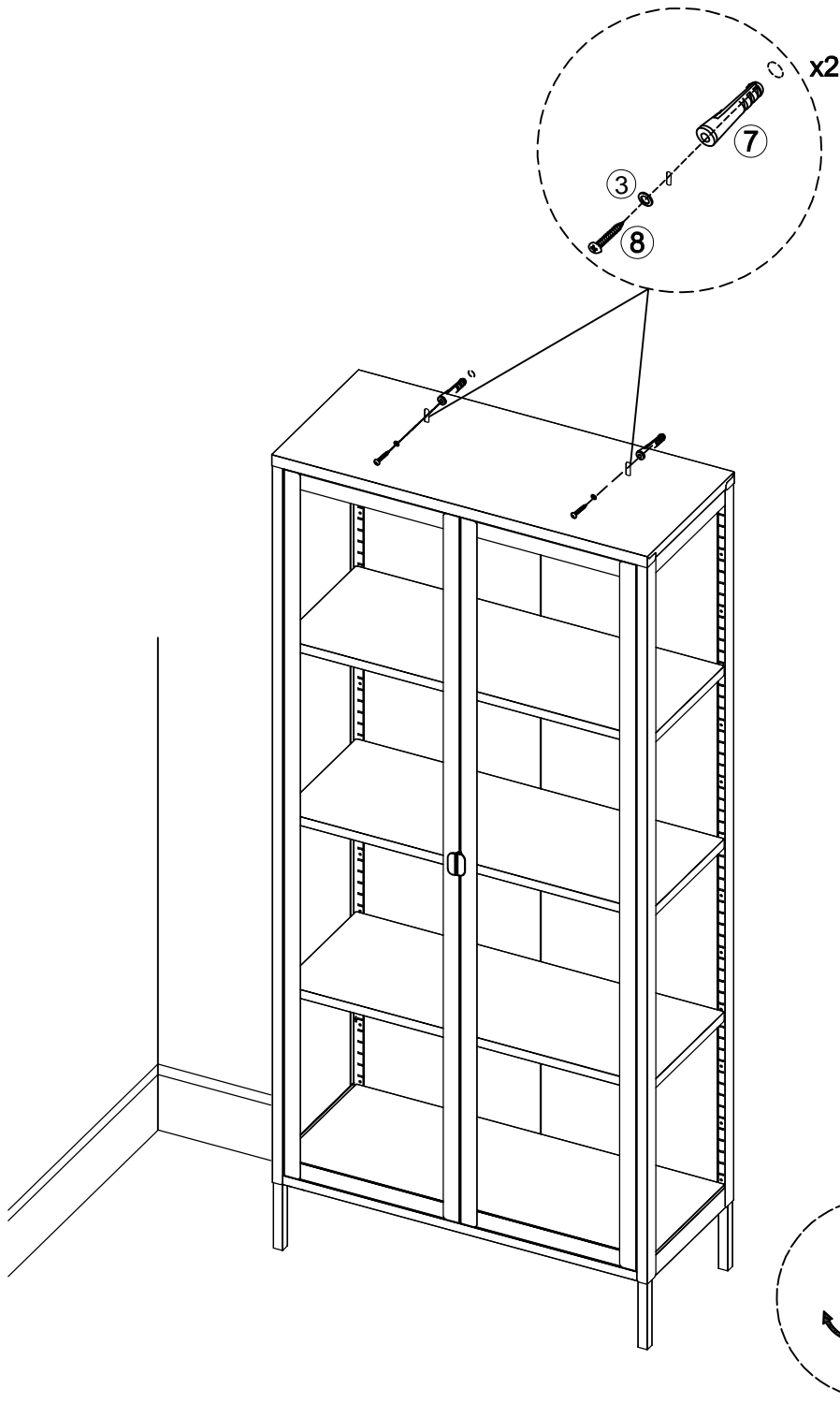


**STEP 4**



**STEP 5**

(12)



Gaps may appear between the top of the doors and the frame if the item is not on level ground; use the plastic foot cover to level.