

ASSEMBLY INSTRUCTION

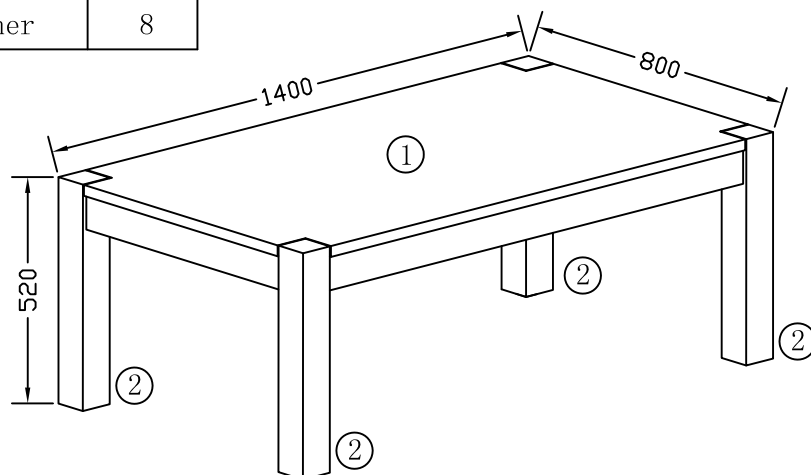
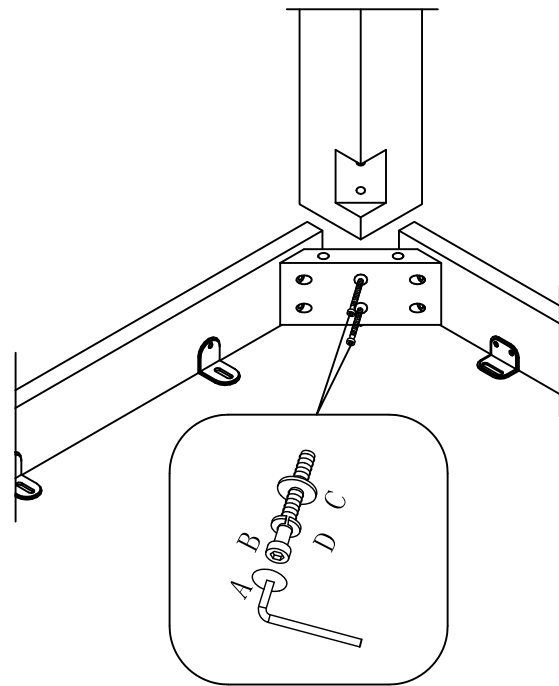
AMSTERDAM COFFEE TABLE

Thank you for purchasing this quality product. Be sure to check all packing material carefully for small parts, which may have come loose inside the carton during shipment. Count all parts and hardware compare with the parts list below to be sure all parts are present.

Note: Quantities shown below are for each table.

PART		
ITEM	DESCRIPTION	QTY
1	Tabletop with Apron	1
2	Table Leg	4

PART		
ITEM	DESCRIPTION	QTY
A	Allen Key	1
B	8*50 Hex Bolt	8
C	Flat Washer	8
D	Spring washer	8



1. Lay the table face down on a clean, flat, soft surface and use caution during assembly to prevent scratching the tabletop.

2. Place a leg in corner of table and insert one bolt with washers through the holes (in corner block of apron frame) into the leg and tighten with Allen Key. Repeat for other legs.