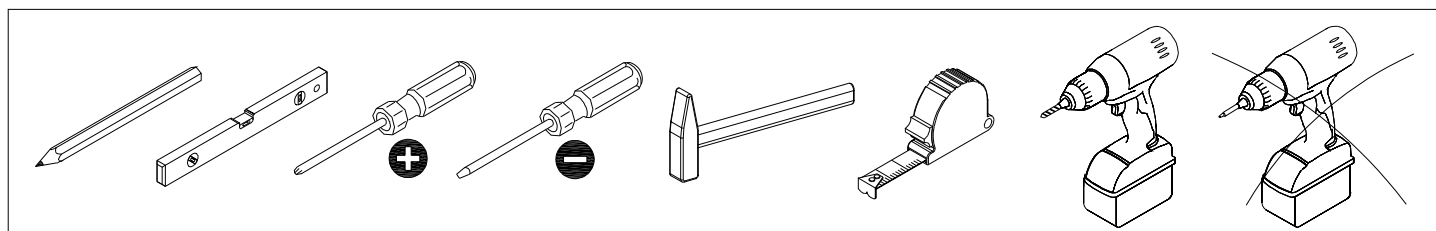
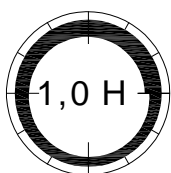
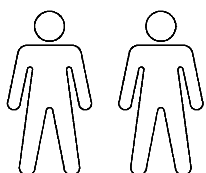
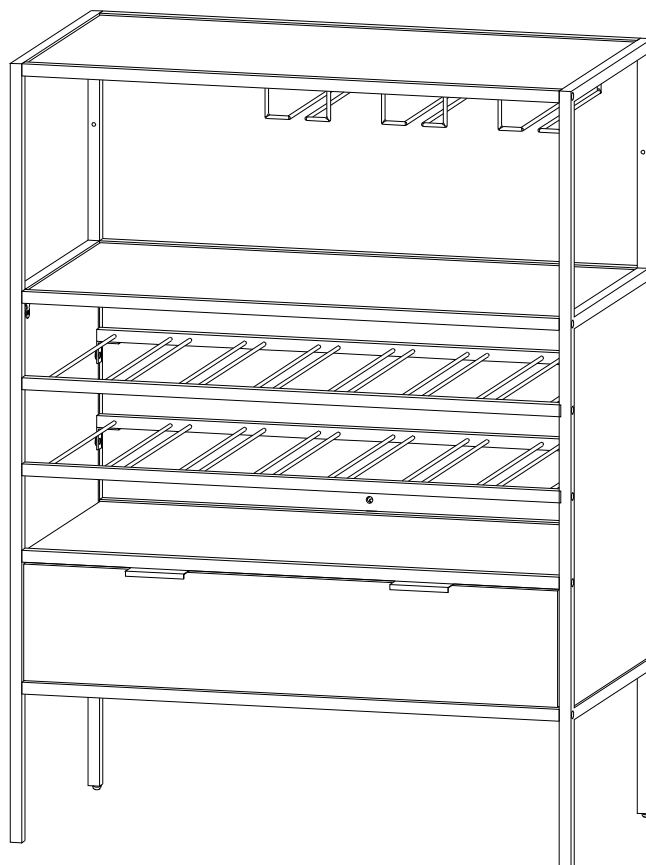
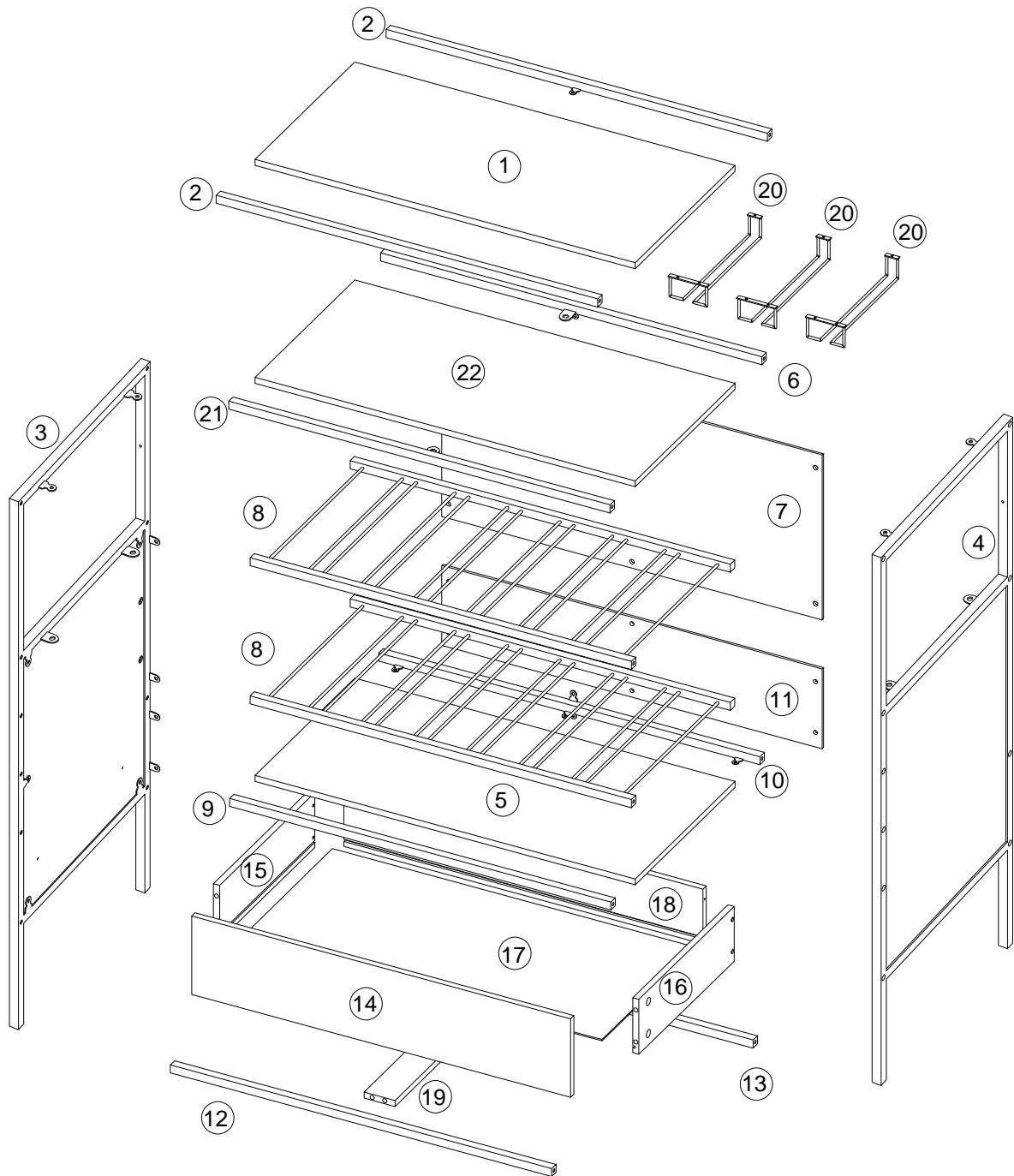


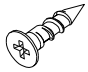
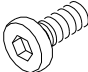
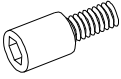
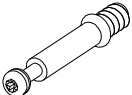

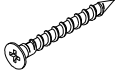
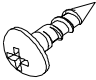
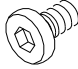
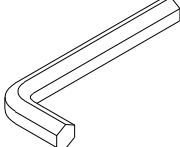
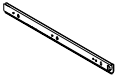
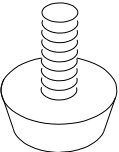
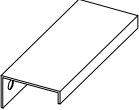
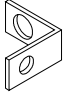
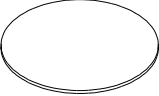
# SEAFORD



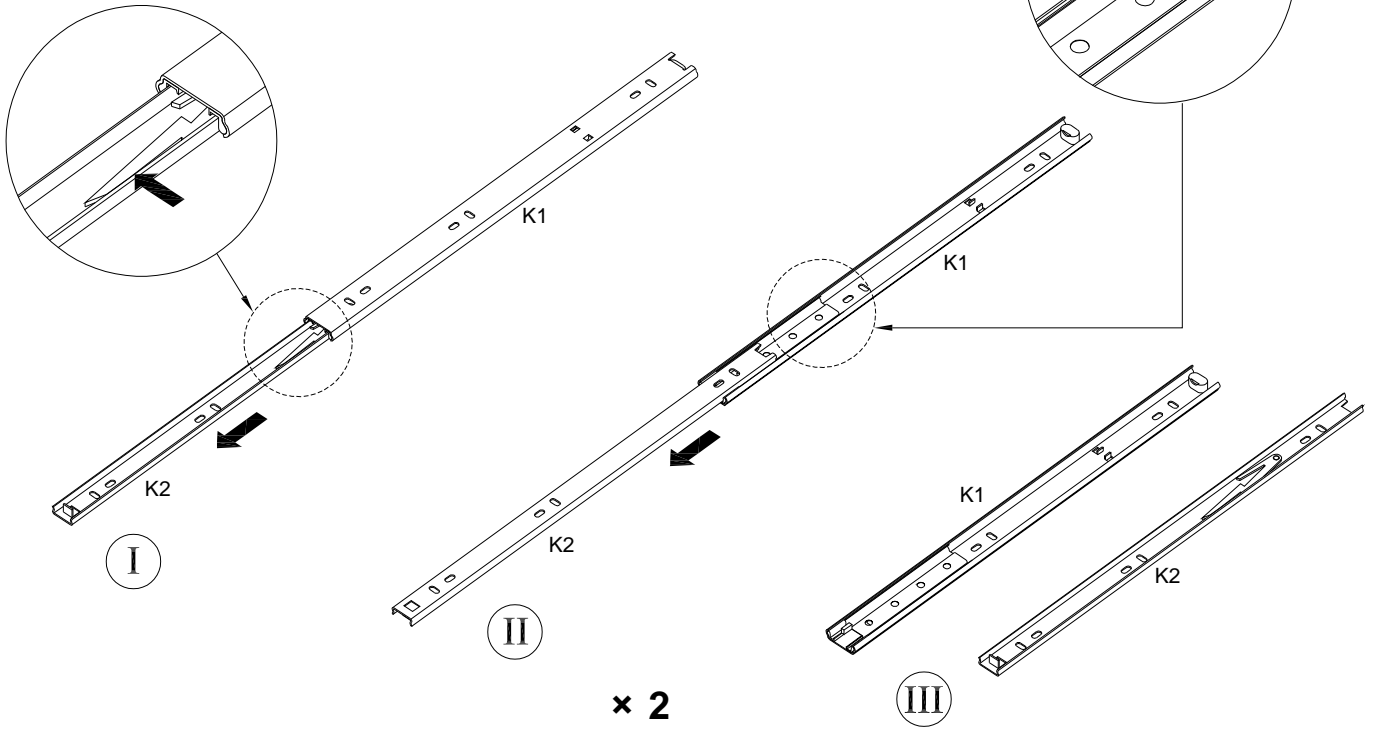
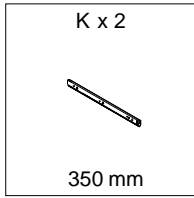
			✓
①	1	737X367X12	
②	2	738X36X16	
③	1	1050X400X40	
④	1	1050X400X40	
⑤	1	737X367X12	
⑥	1	738X40X36	
⑦	1	737X331X4.75	
⑧	2	738X382X16	
⑨	1	738X36X16	
⑩	1	738X36X36	
⑪	1	737X160X4.75	

			✓
⑫	1	738X16X16	
⑬	1	738X36X16	
⑭	1	734X156X12	
⑮	1	350X110X12	
⑯	1	350X110X12	
⑰	1	704X347X2.75	
⑱	1	695X110X12	
⑲	1	338X80X12	
⑳	3	265X102X32	
㉑	1	738X40X16	
㉒	1	737X367X12	

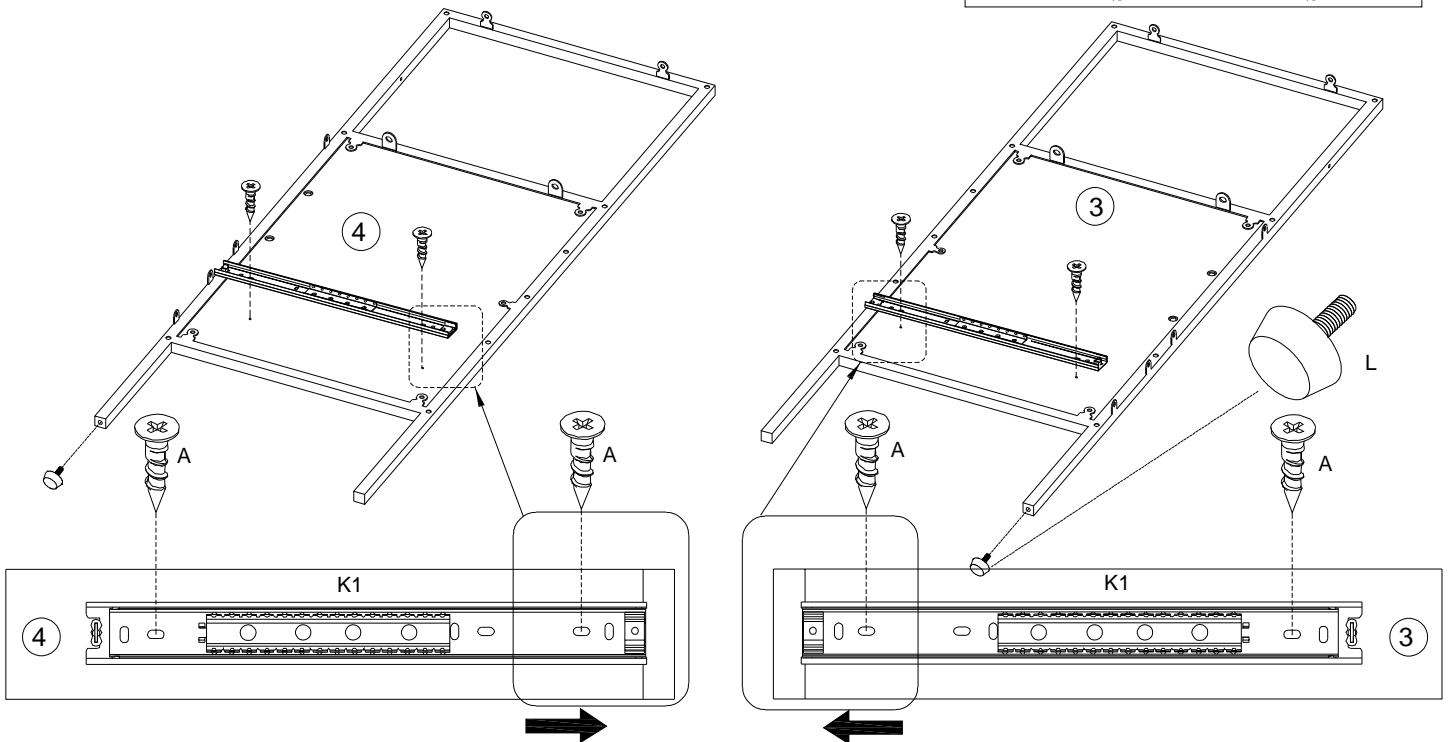
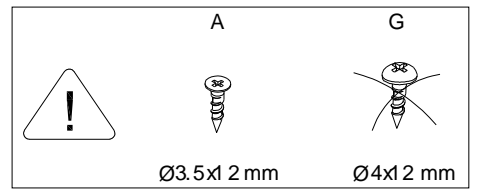
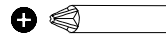
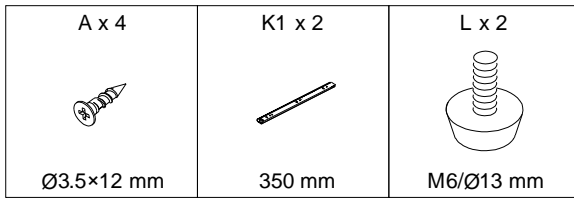


<p>A x 21</p>  <p>Ø3.5×12 mm</p>	<p>B x 8</p>  <p>M6×12 mm</p>	<p>C x 20</p>  <p>Ø6x15 mm</p>	<p>D x 6</p>  <p>Ø6.3×35 mm</p>	<p>E x 6</p>  <p>Ø15×9mm</p>
<p>F x 6</p>  <p>Ø4×35 mm</p>	<p>G x 12</p>  <p>Ø4×12 mm</p>	<p>H x 18</p>  <p>M6x10 mm</p>	<p>J x 1</p>  <p>4 mm</p>	<p>K x 2</p>  <p>350 mm</p>
<p>L x 2</p>  <p>M6/Ø13 mm</p>	<p>M x 2</p>  <p>80×32×18 mm</p>	<p>N x 4</p>  <p>30×30×15 mm</p>	<p>P x 4</p>  <p>Ø20 mm</p>	

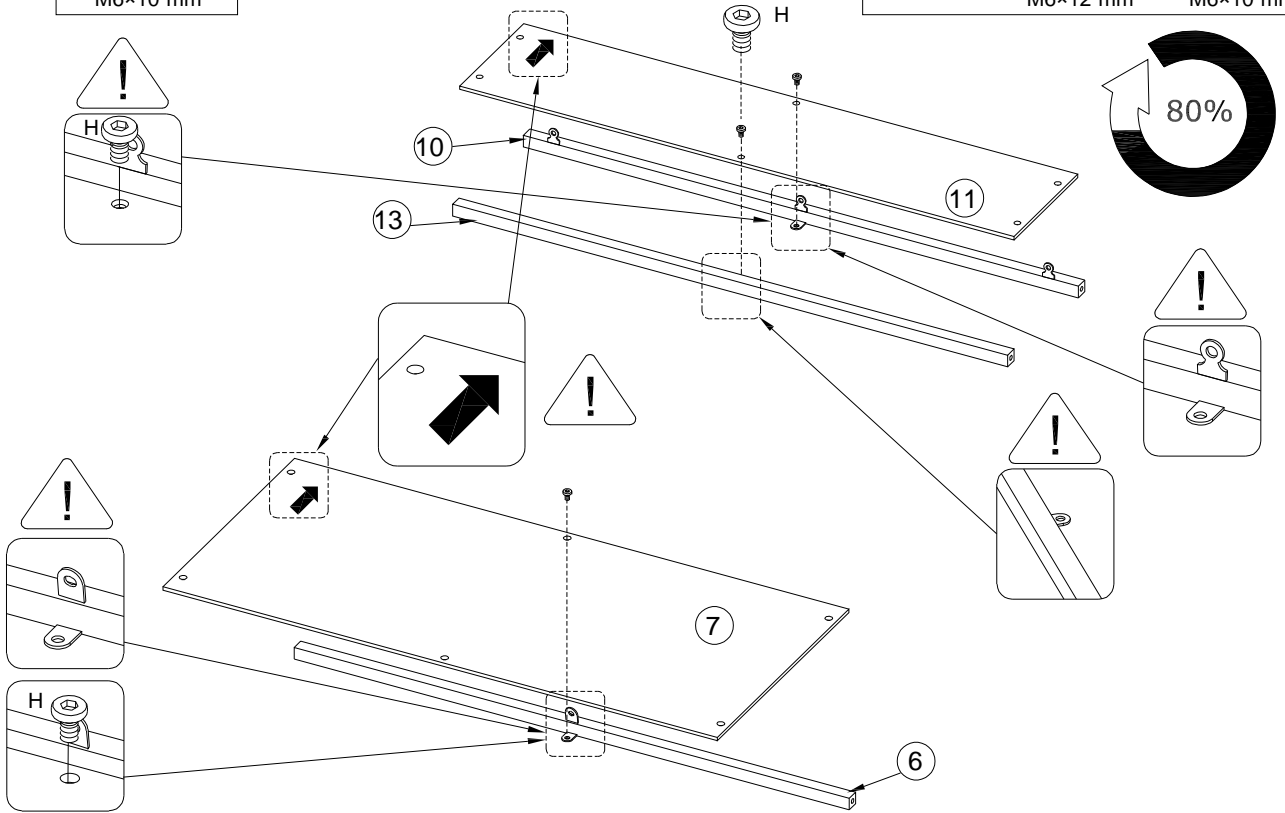
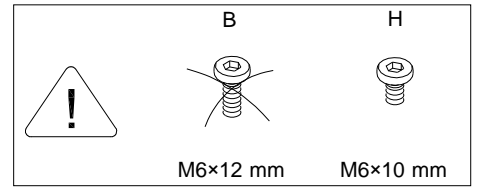
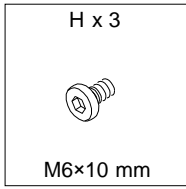
# 1



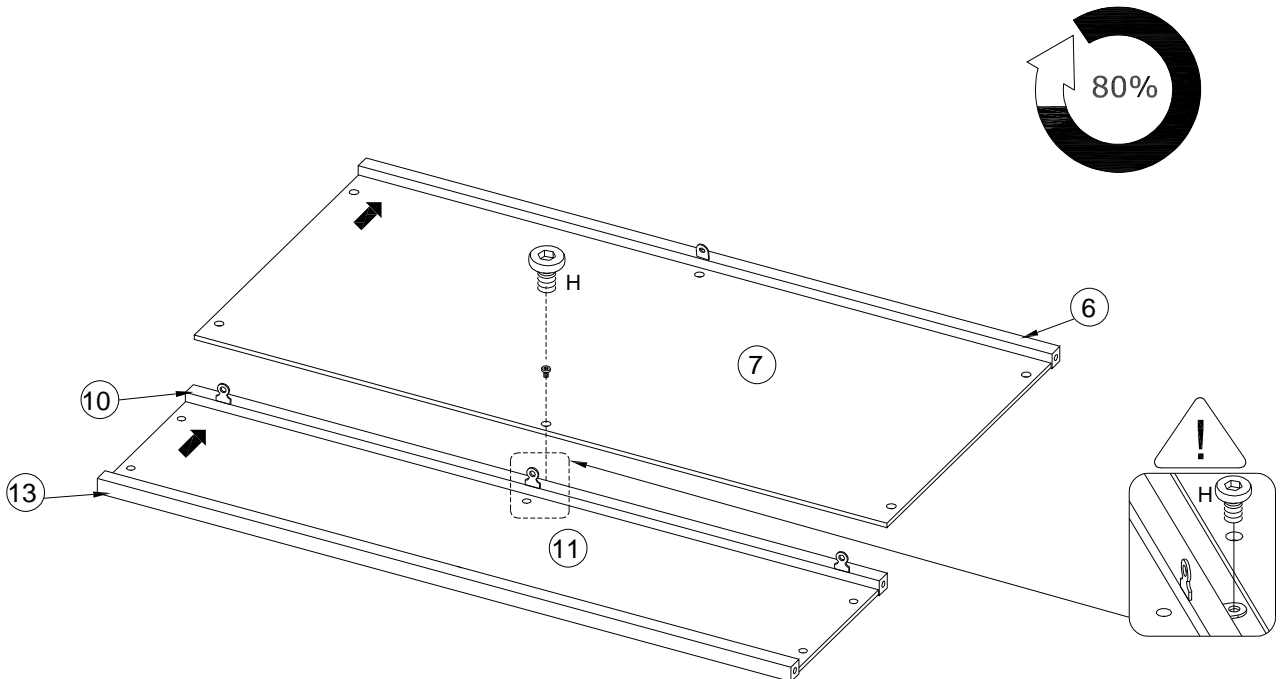
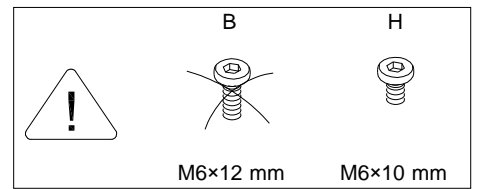
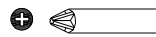
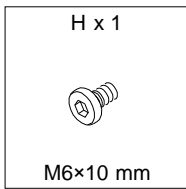
# 2



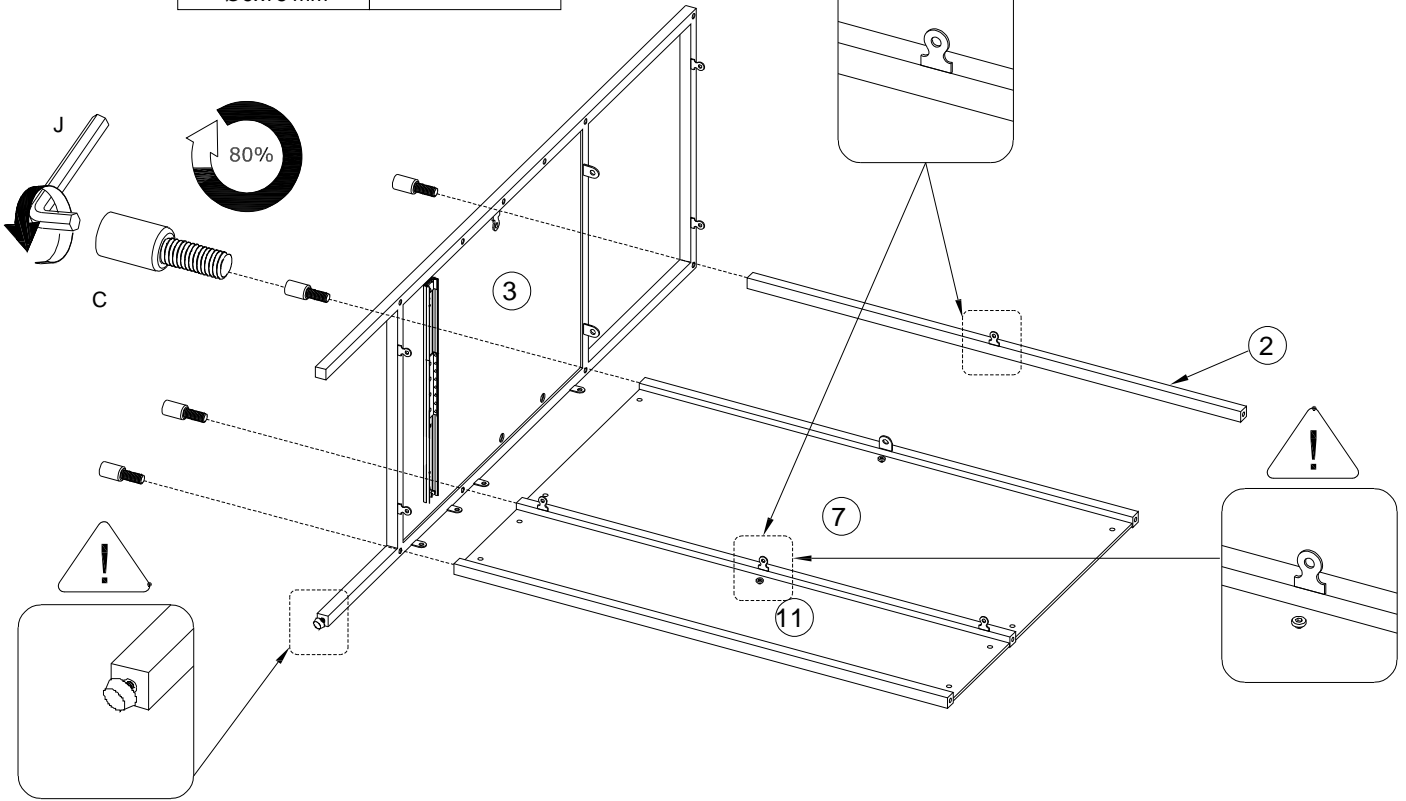
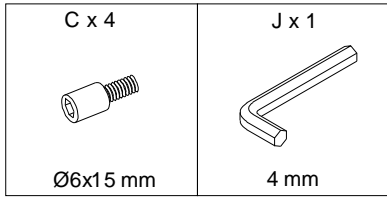
# 3



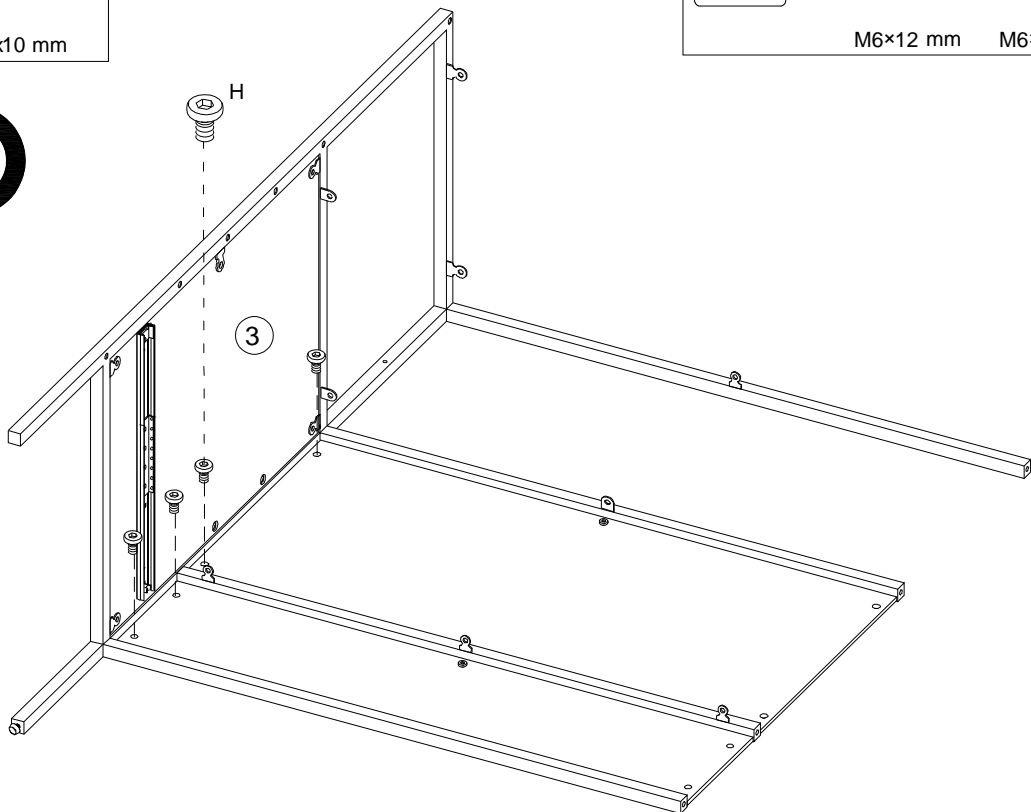
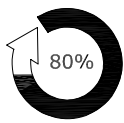
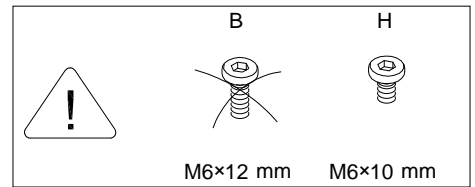
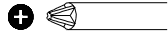
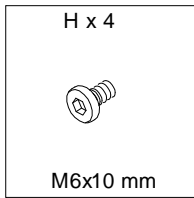
# 4



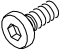
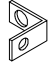
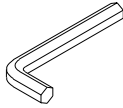
# 5



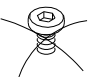


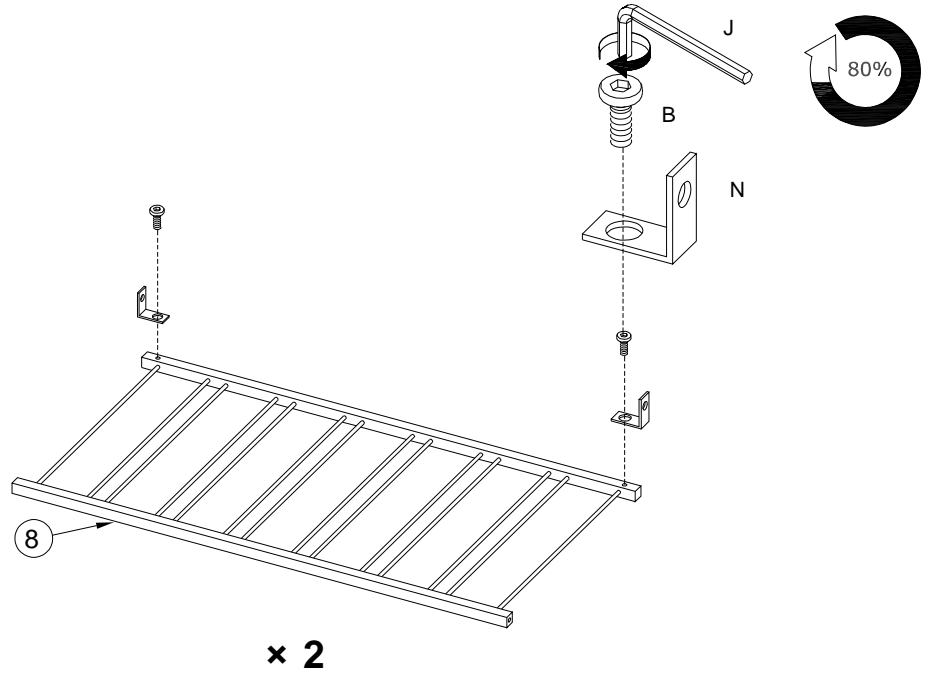
# 6



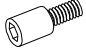
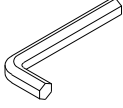
# 7

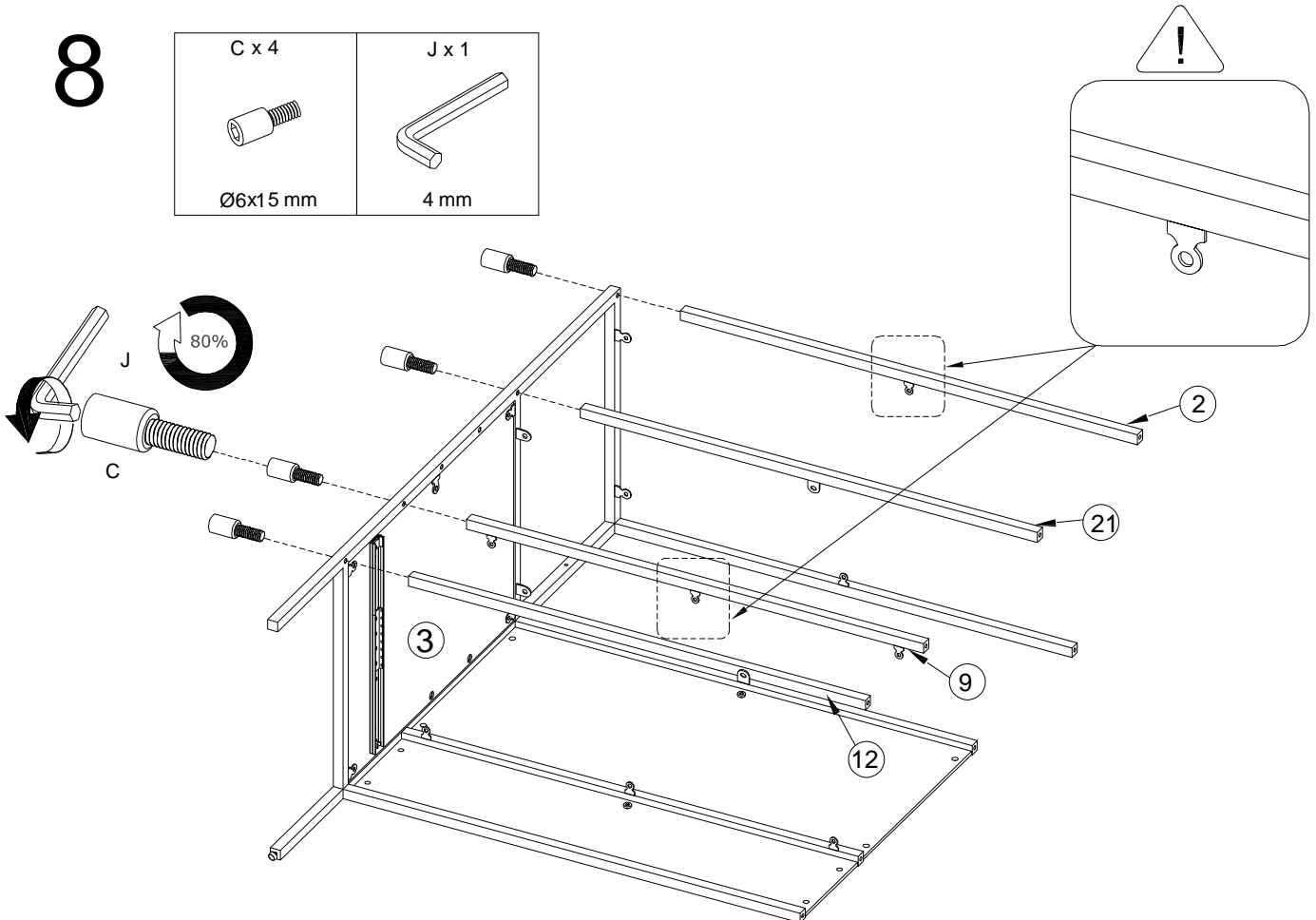
B x 4  M6x12 mm	N x 4  30x30x15 mm	J x 1  4 mm
--	---	--

	B  M6x12 mm	H  M6x10 mm
---	--	--


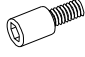
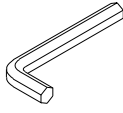


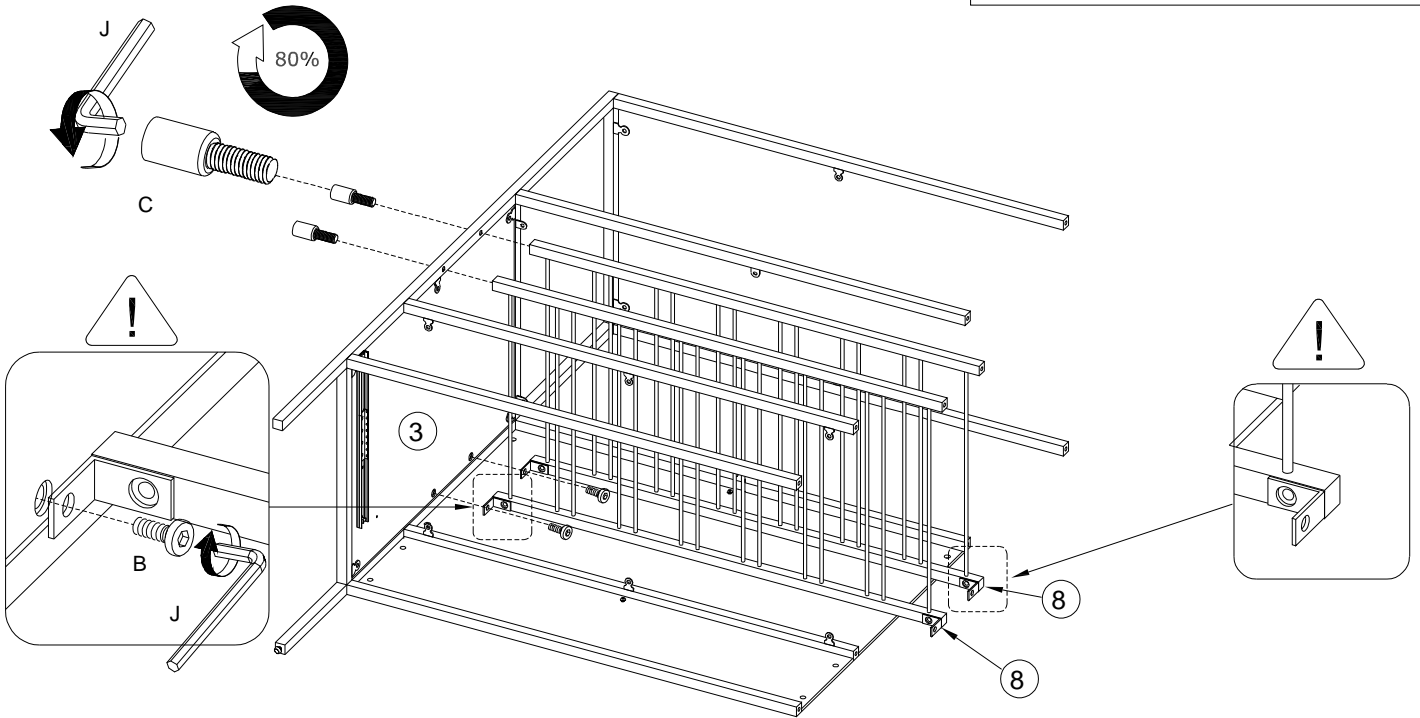
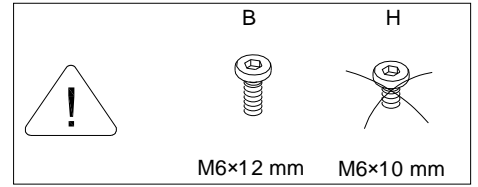
# 8

C x 4  Ø6x15 mm	J x 1  4 mm
--	--

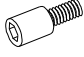
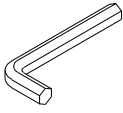


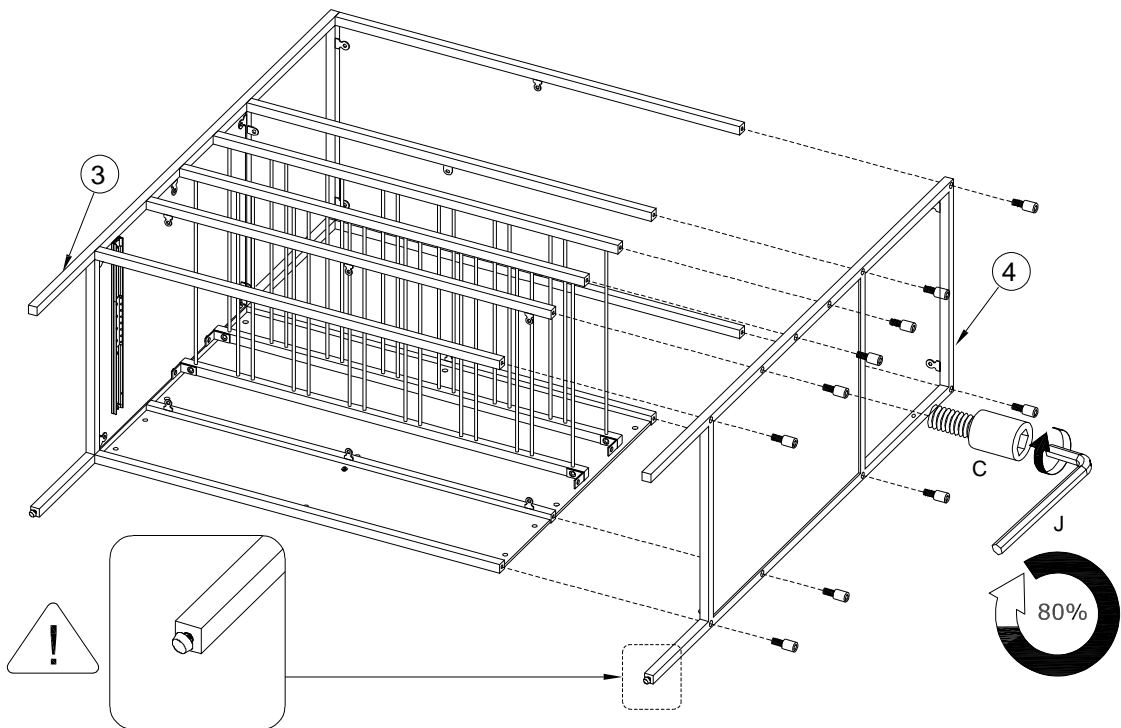
# 9

B x 2	C x 2	J x 1
		
M6x12 mm	Ø6x15 mm	4 mm



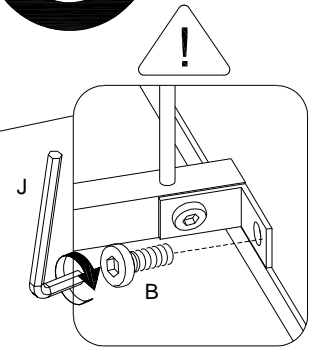
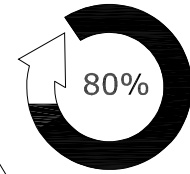
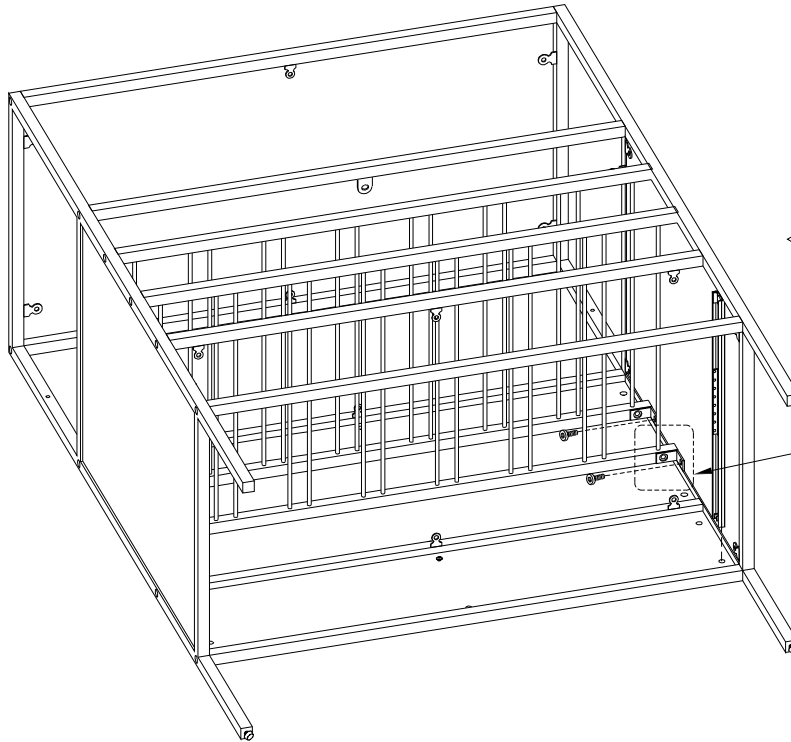
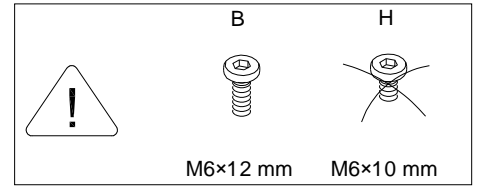
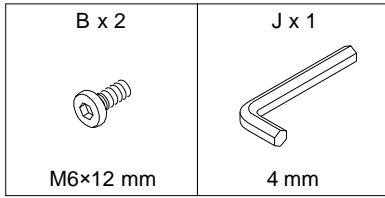
# 10

C x 10	J x 1
	
Ø6x15 mm	4 mm

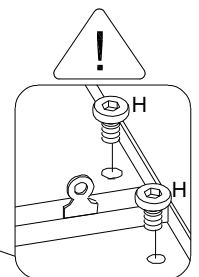
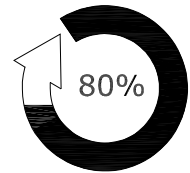
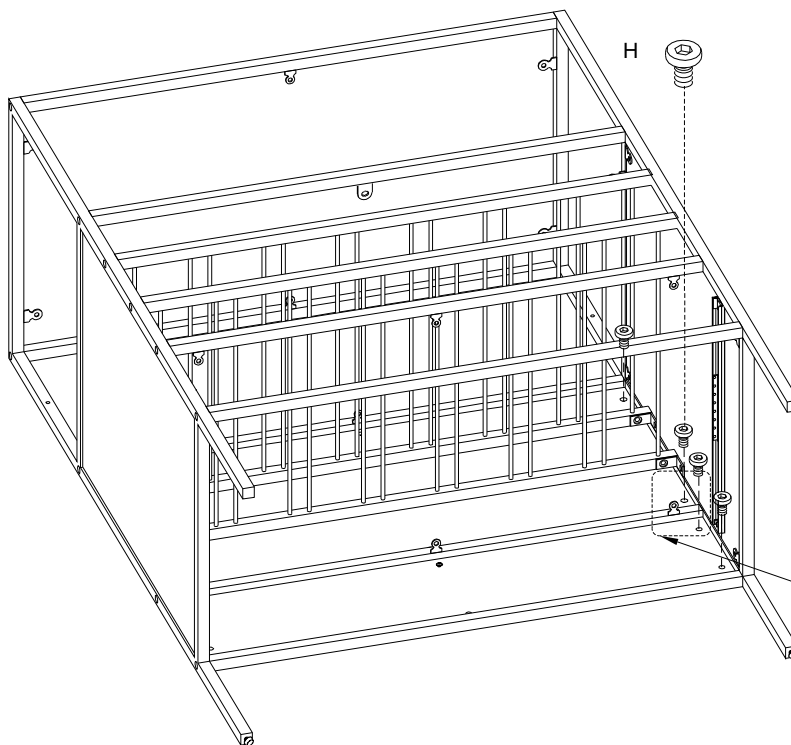
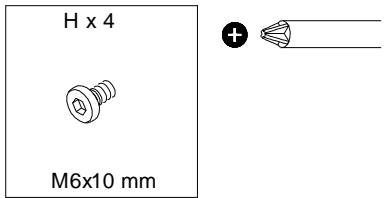




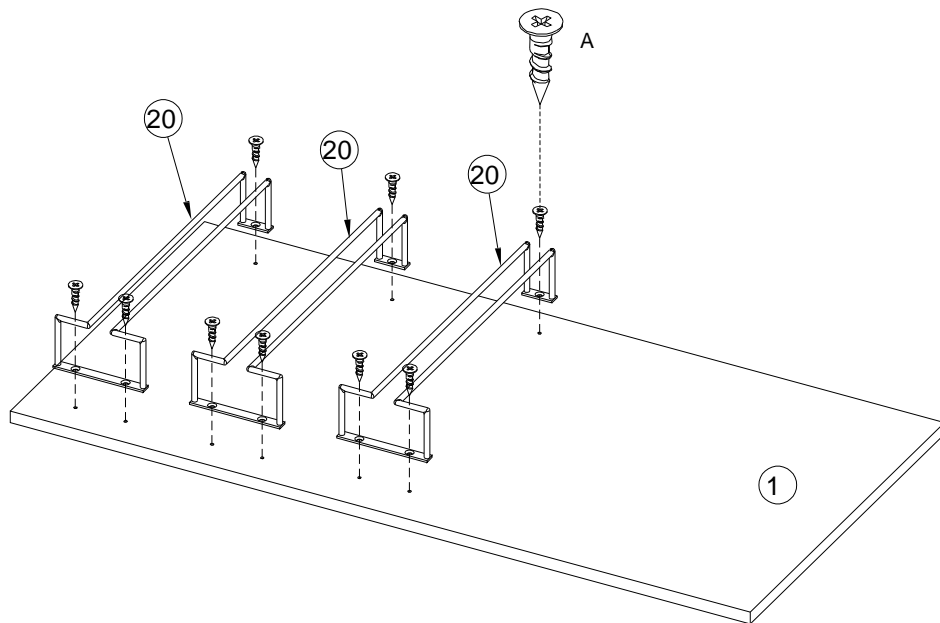
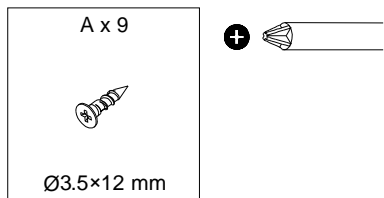
# 11



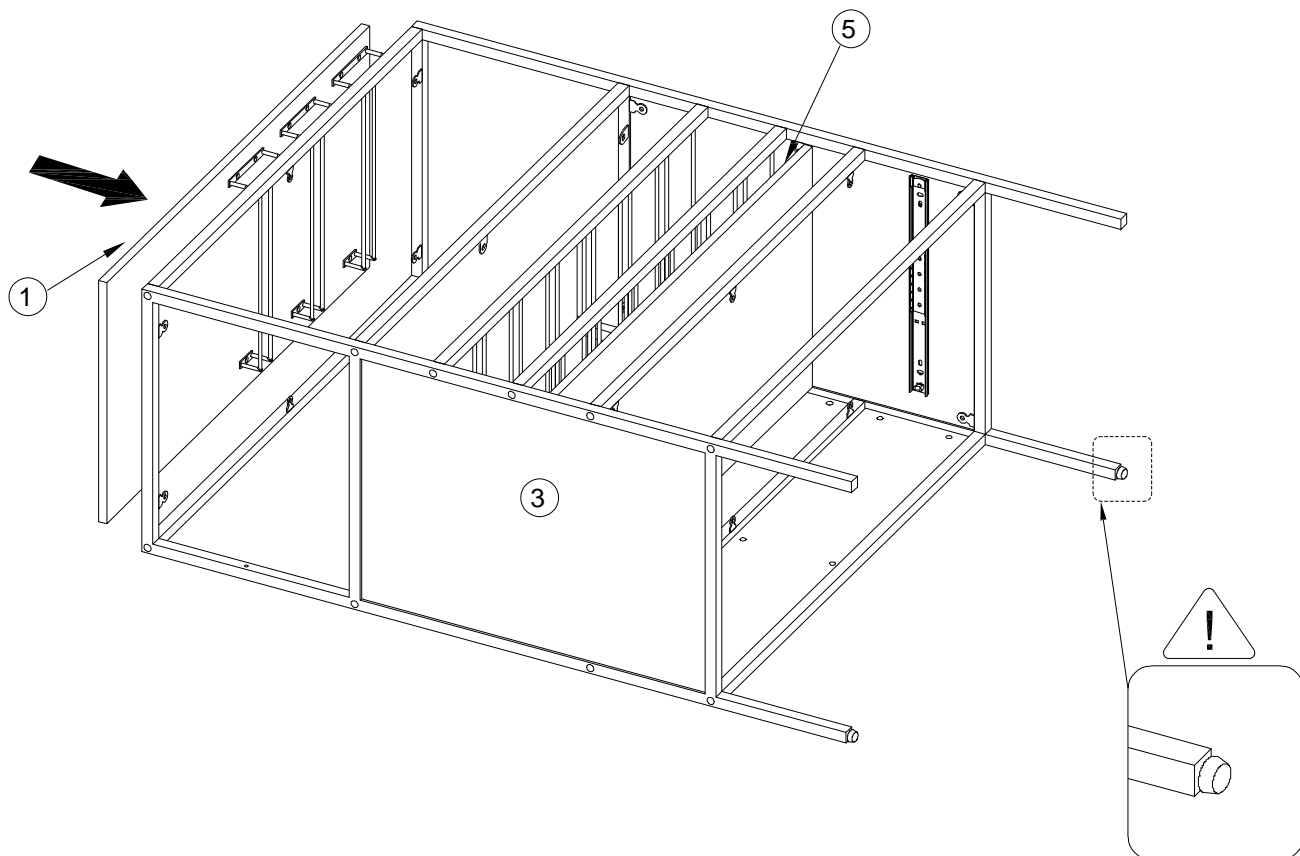
# 12



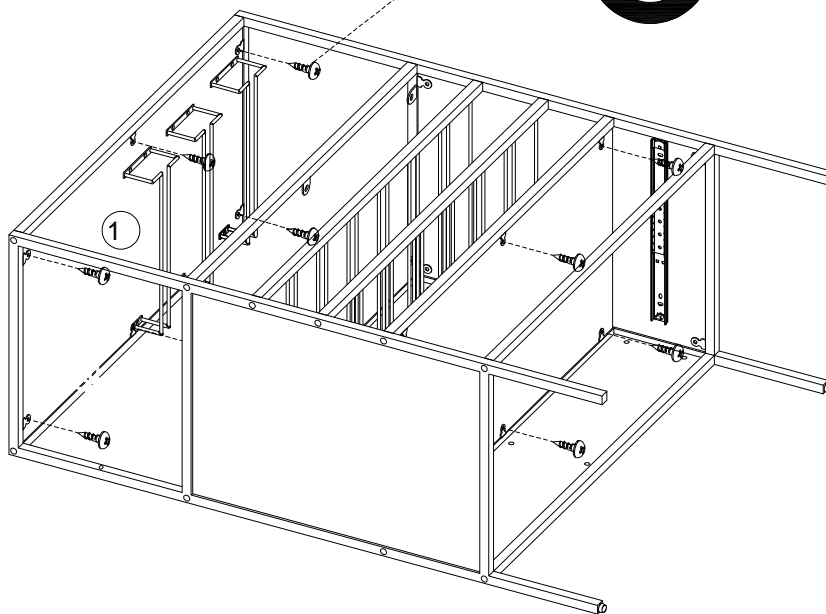
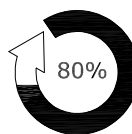
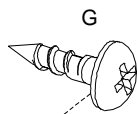
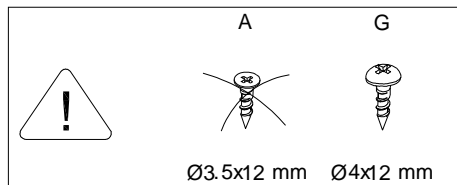
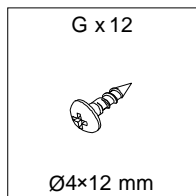
# 13



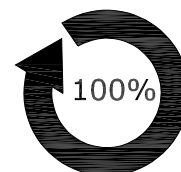
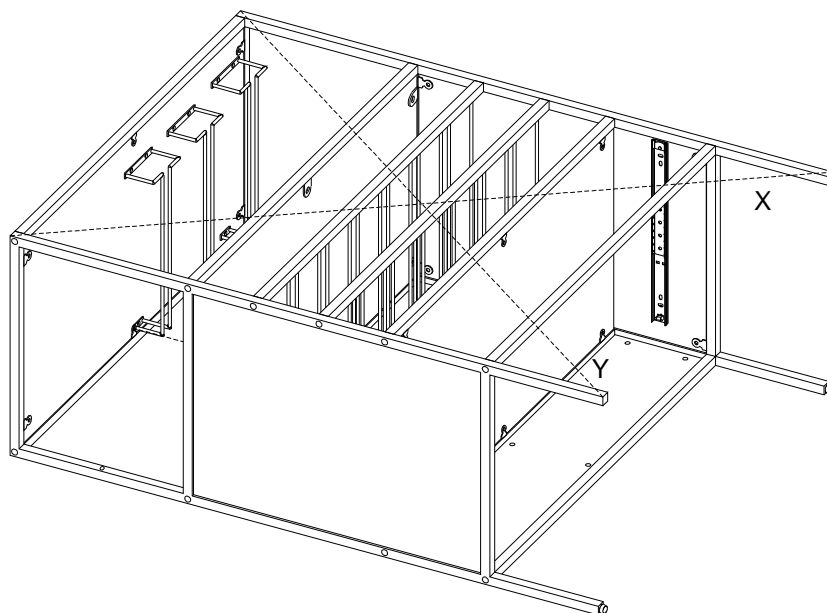
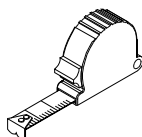
# 14



# 15

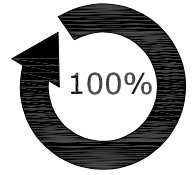
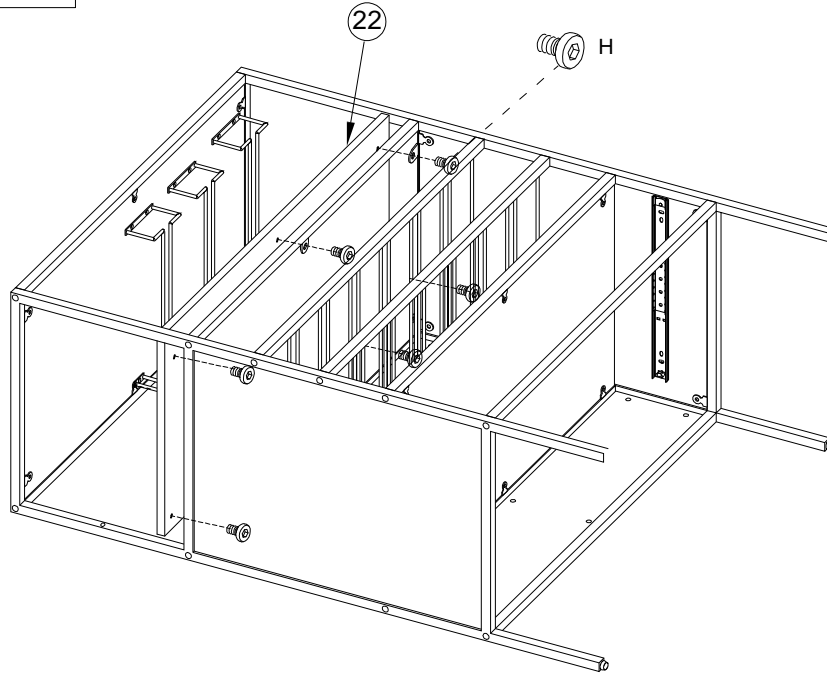
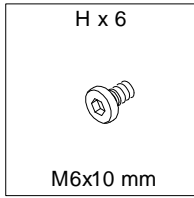


# 16



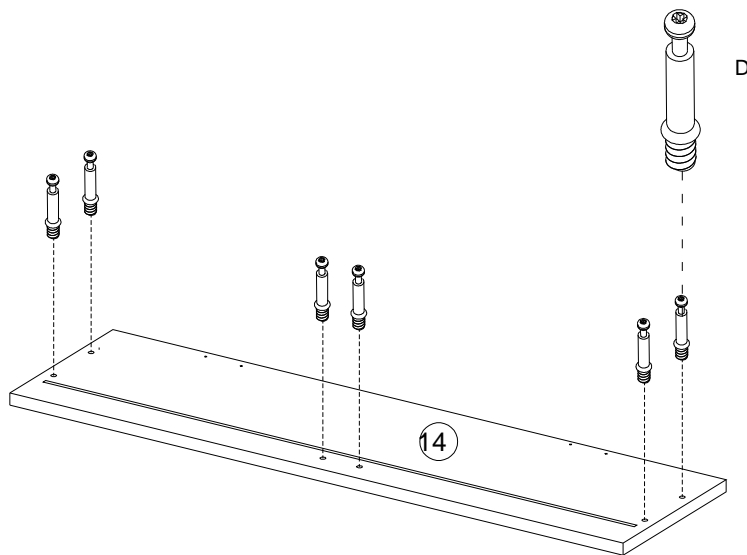
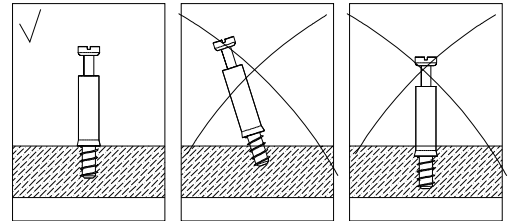
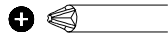
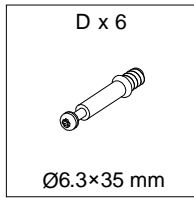
**B x 8**  
**C x 20**  
**H x 12**

# 17

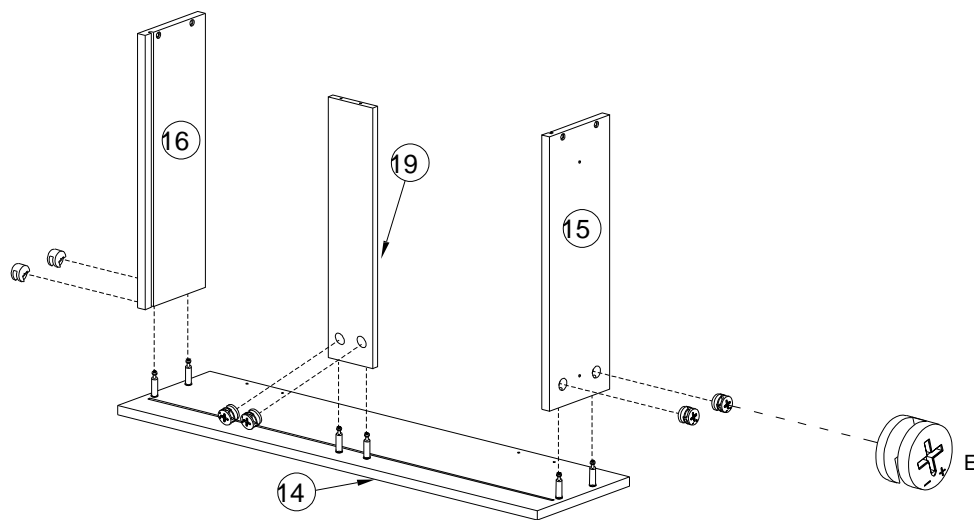
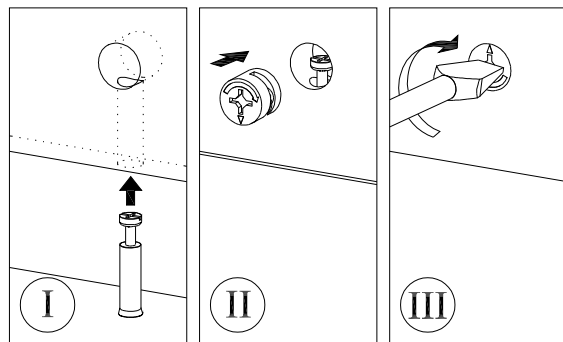
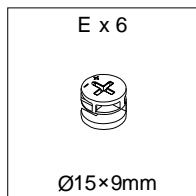


G x 12

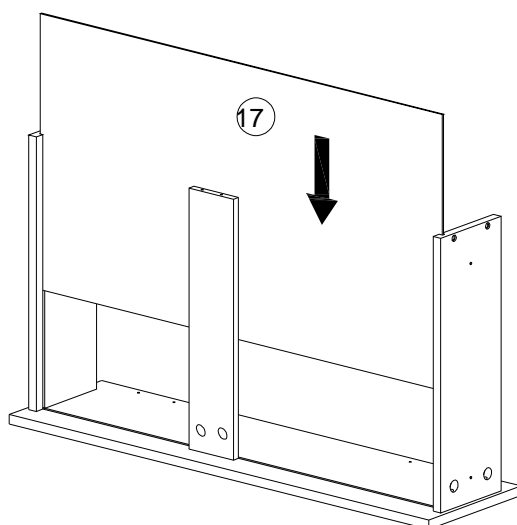
# 18



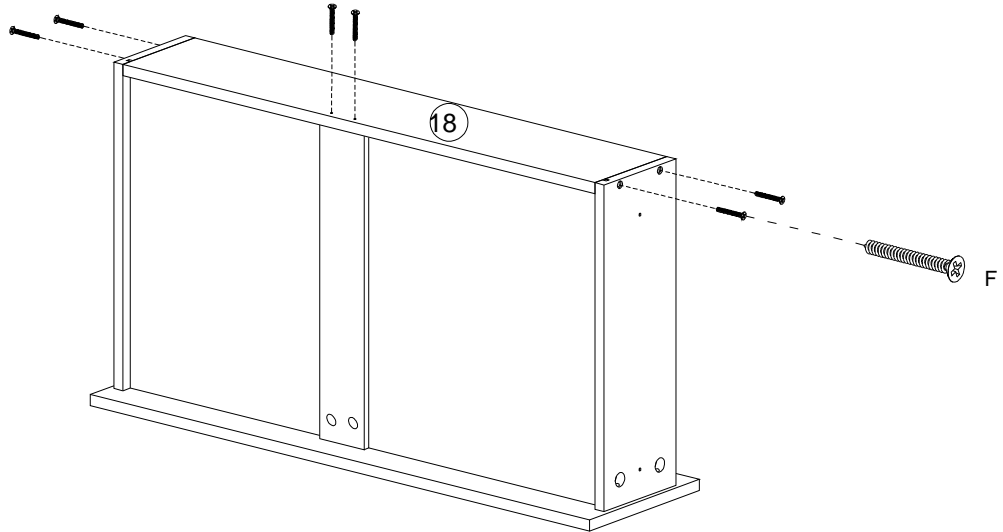
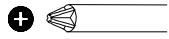
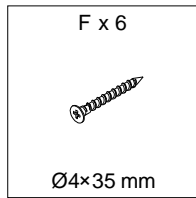
# 19



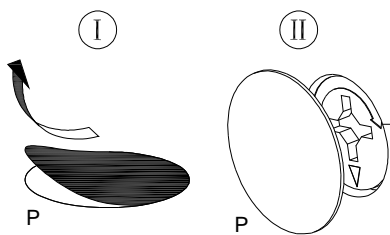
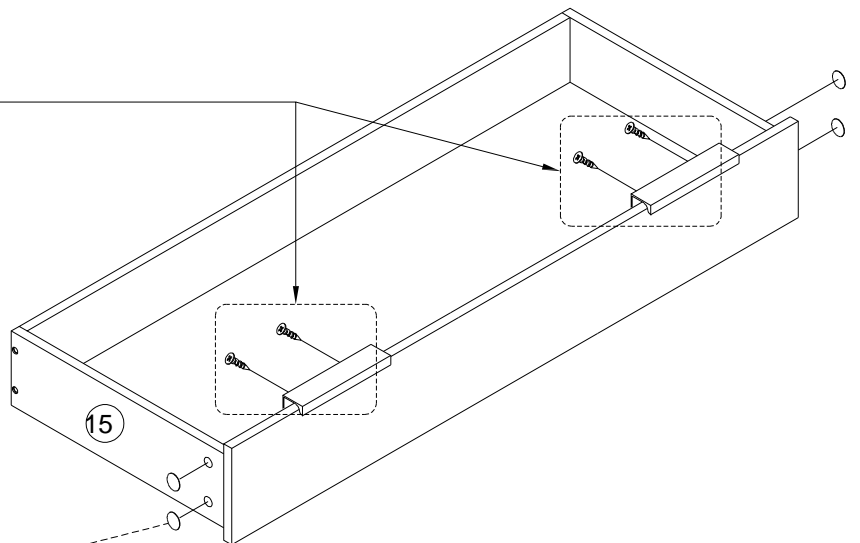
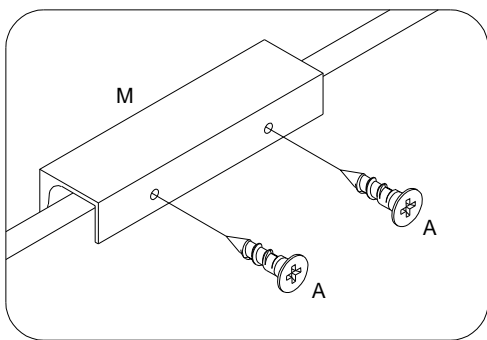
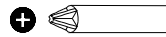
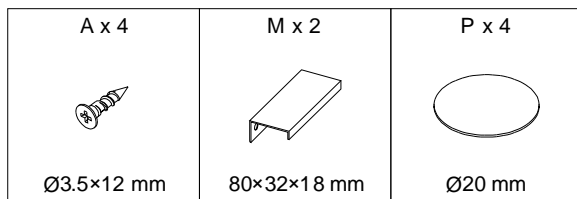
# 20



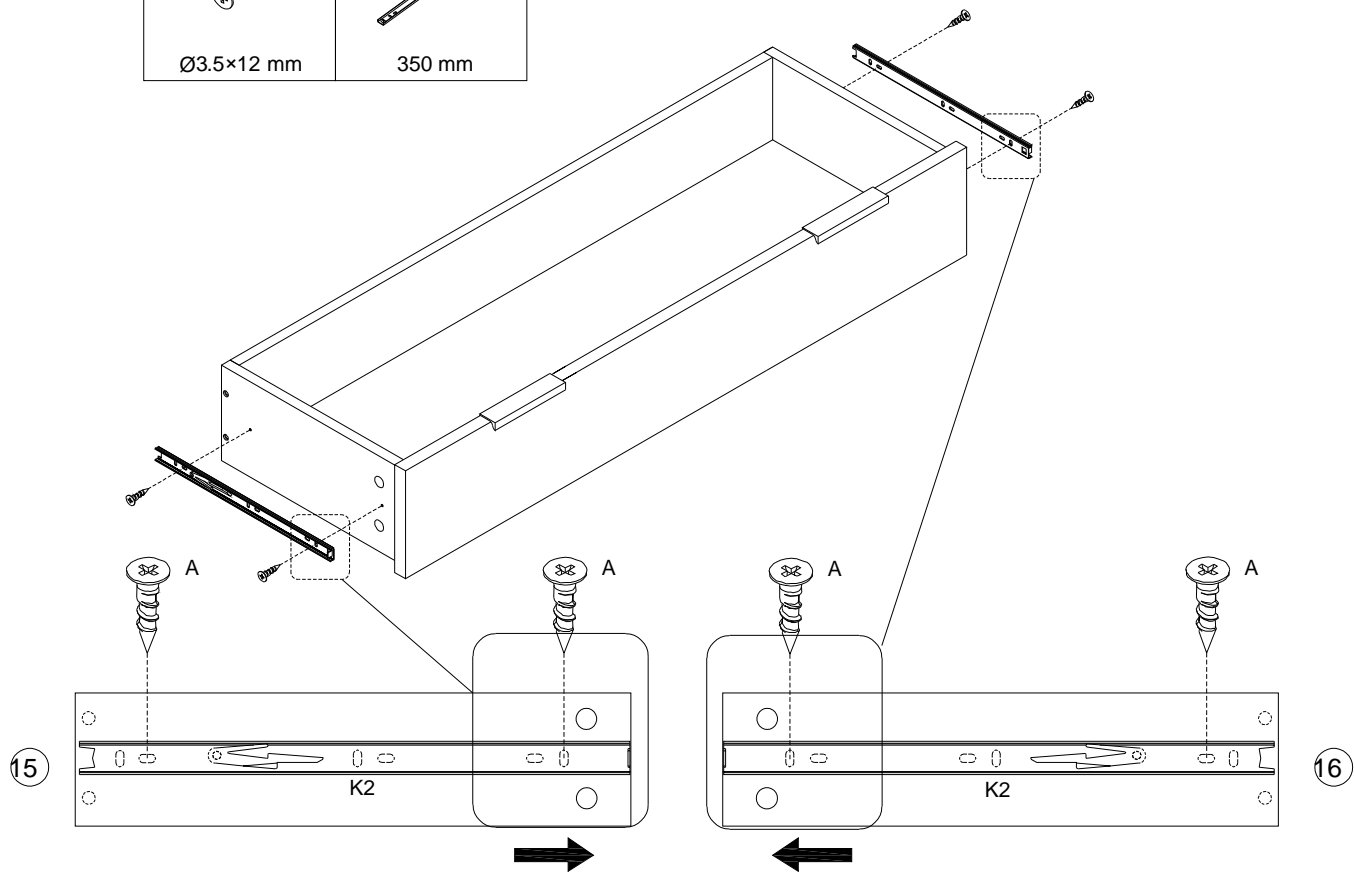
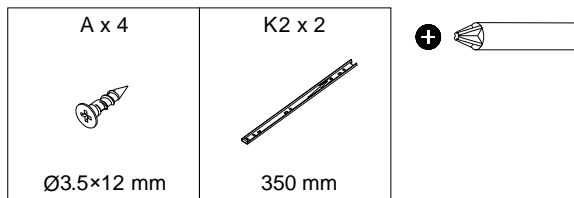
# 21



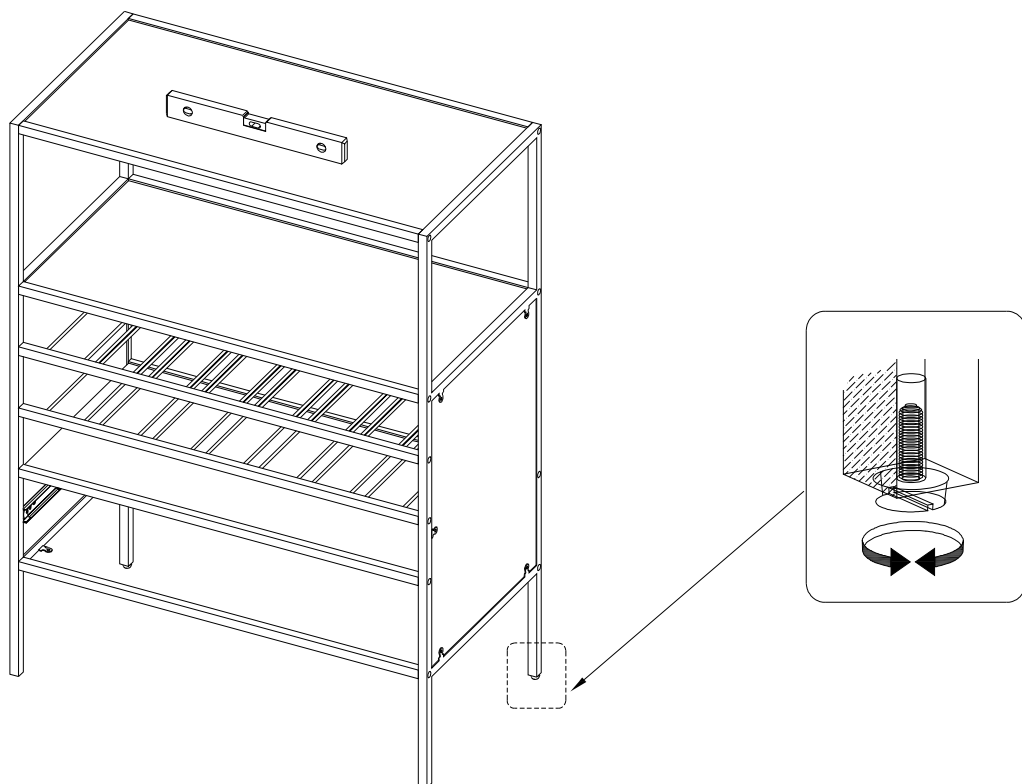
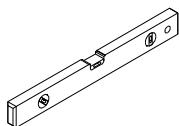
# 22



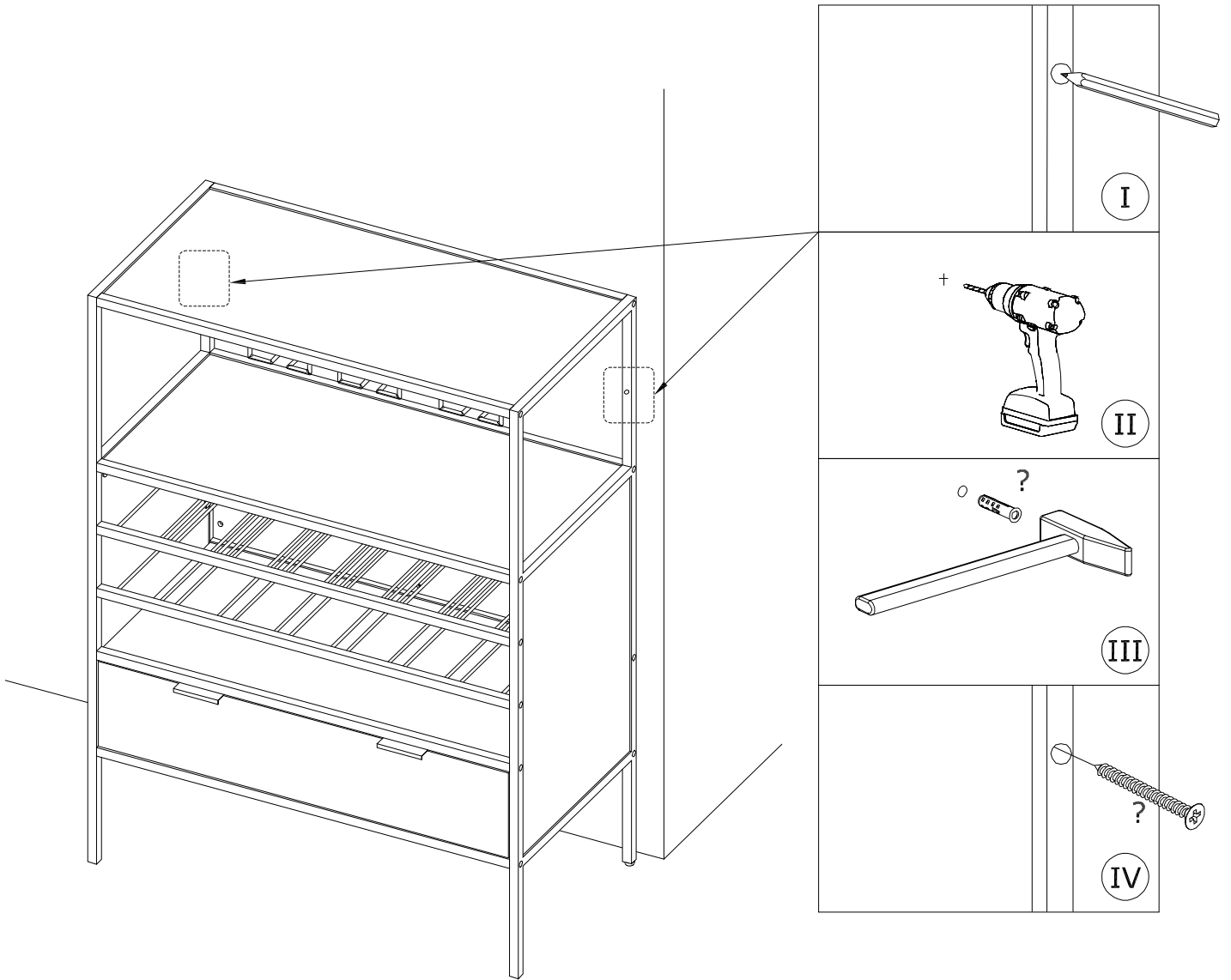
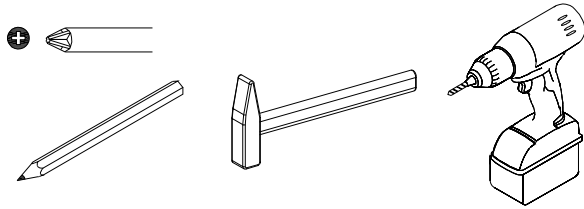
# 23



# 24



# 25





# 26

