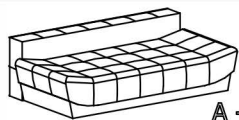
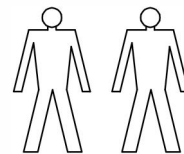
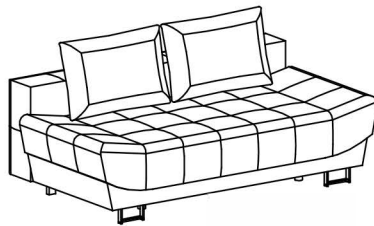
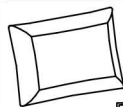


CIRRUS/CUMULUS



A - 1 St.



B - 2 St.



C - 2 St.



D - 6 St.
M6 x 40



E - 2 St.
10cm



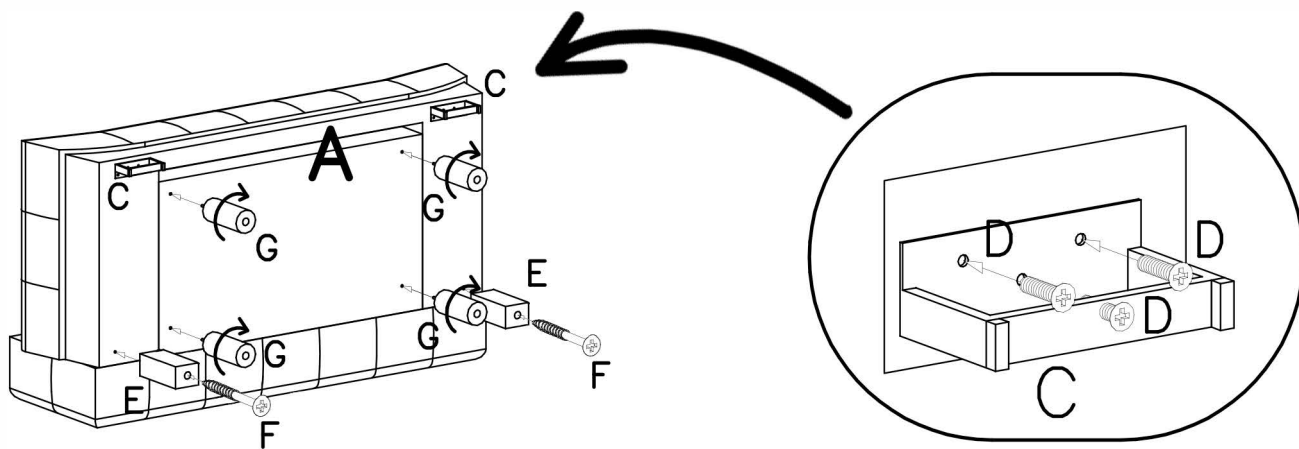
F - 2 St.
5 x 90



G - 4 St.
8cm



H - 10 St.



III

