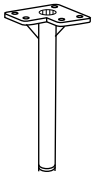
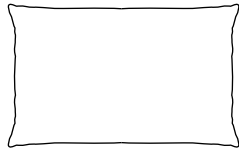


# Vienna

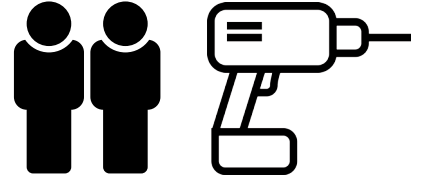
x15



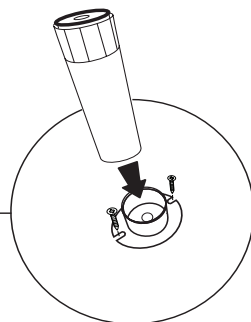
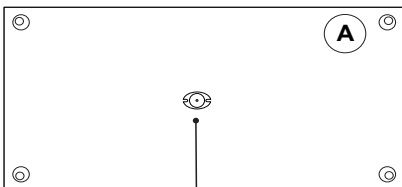
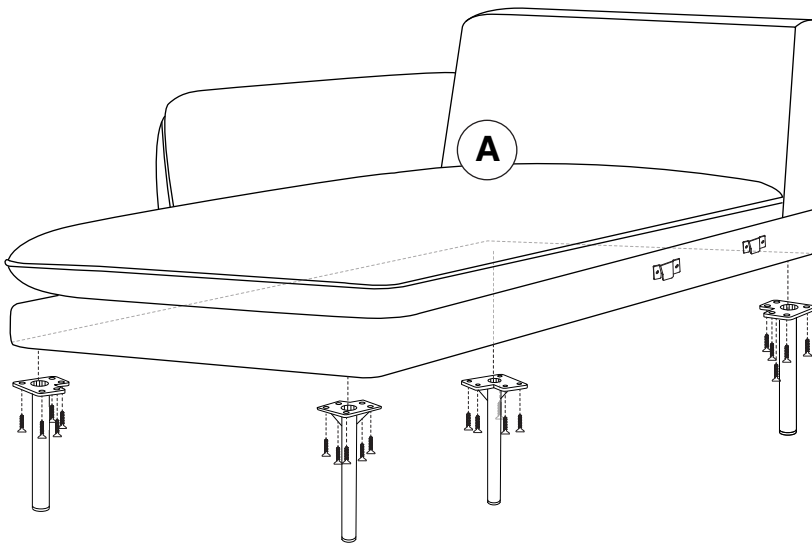
x7



x1



# 1

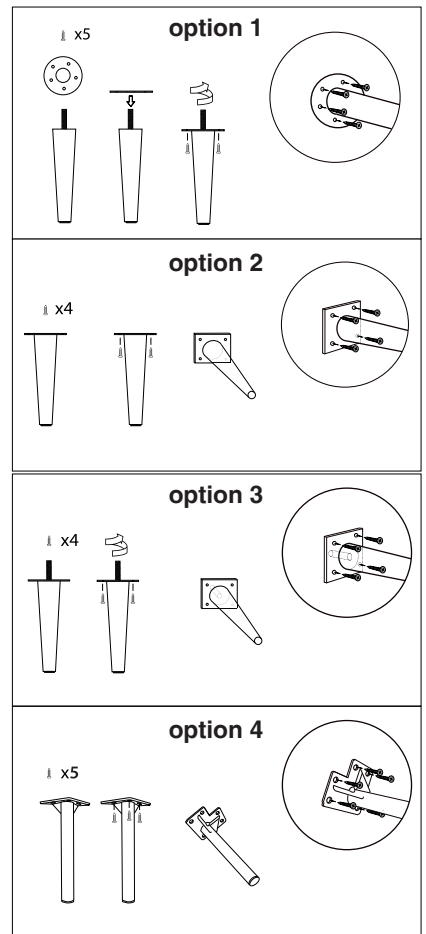
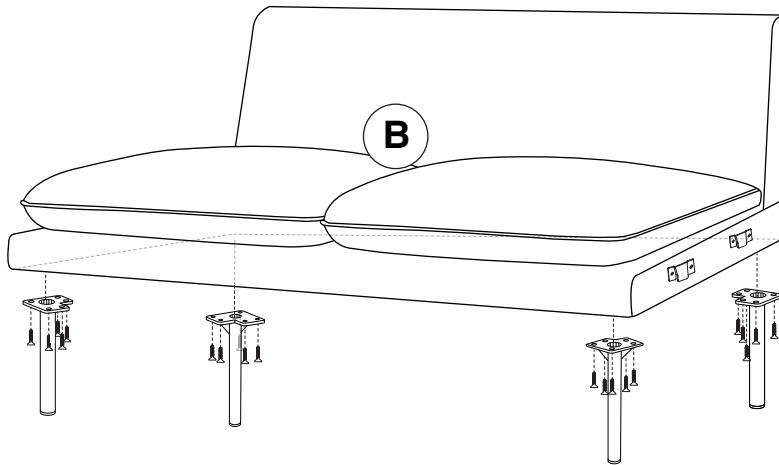


<p>x5</p>	<p><b>option 1</b></p>
<p>x4</p>	<p><b>option 2</b></p>
<p>x4</p>	<p><b>option 3</b></p>
<p>x5</p>	<p><b>option 4</b></p>

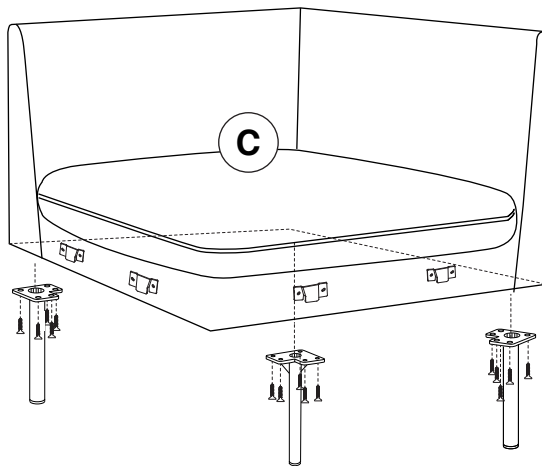
Legs should be mounted depending on the batch. Check the legs in your kit and mount them as instructed.

# 2

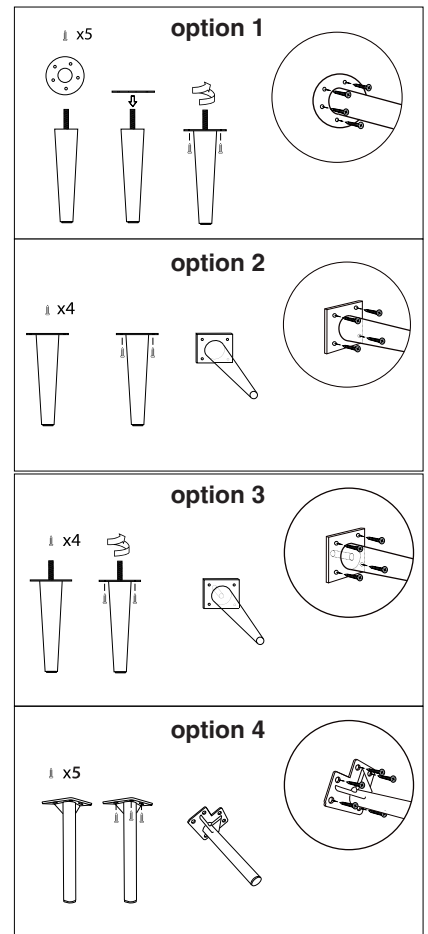
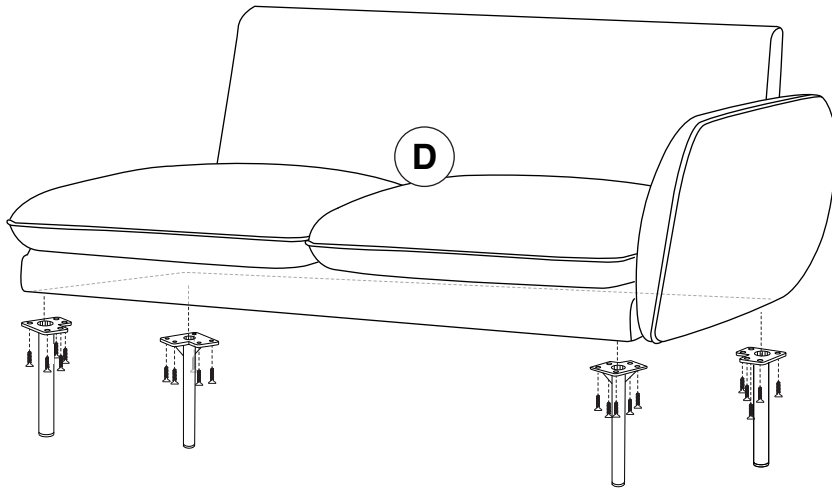
# Vienna



# 3



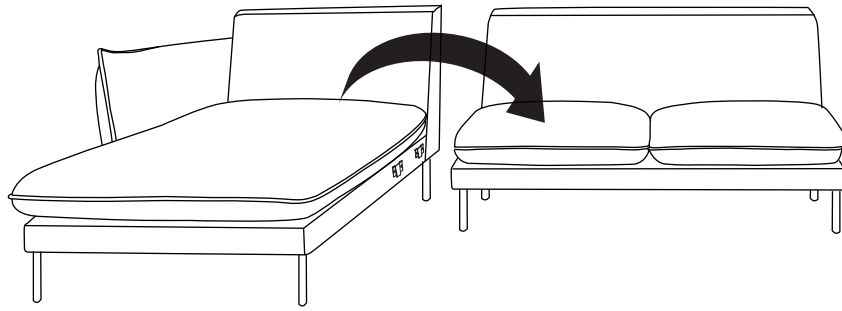
Legs should be mounted depending on the batch. Check the legs in your kit and mount them as instructed.



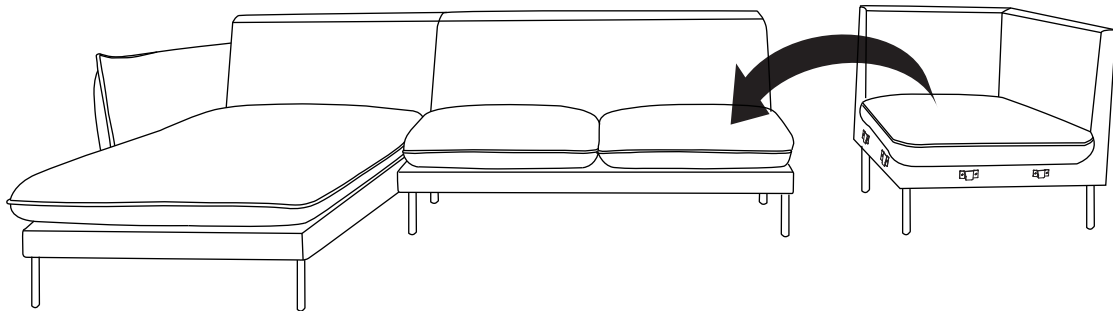
Legs should be mounted depending on the batch. Check the legs in your kit and mount them as instructed.

5

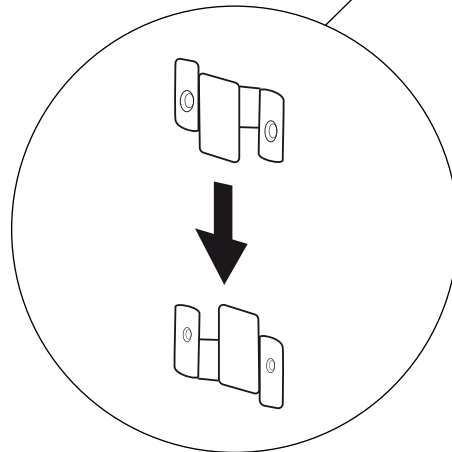
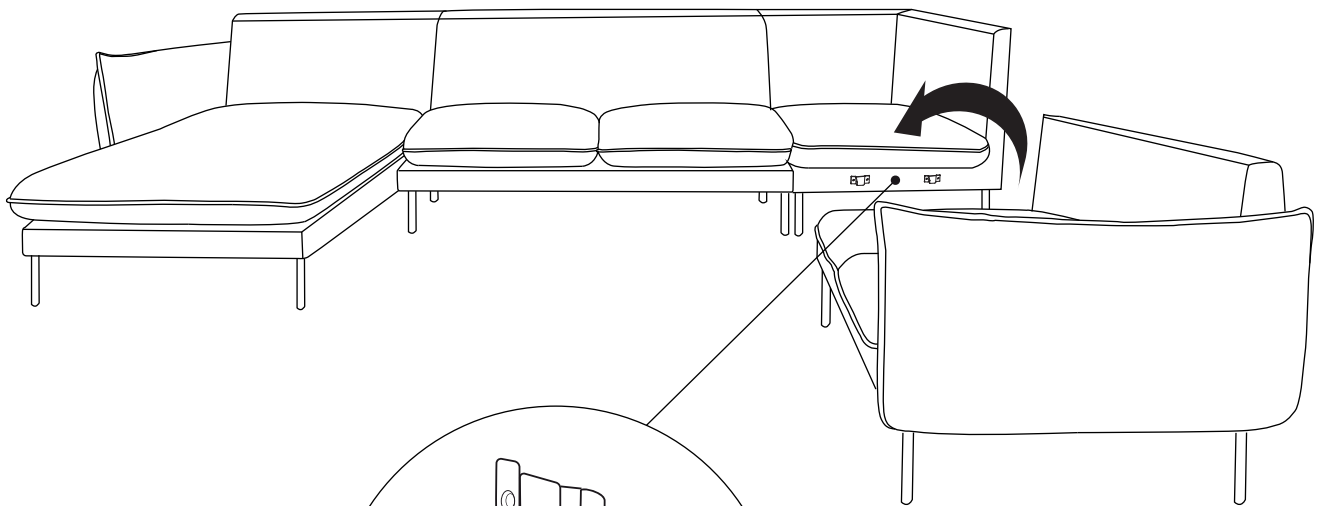
Vienna



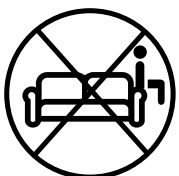
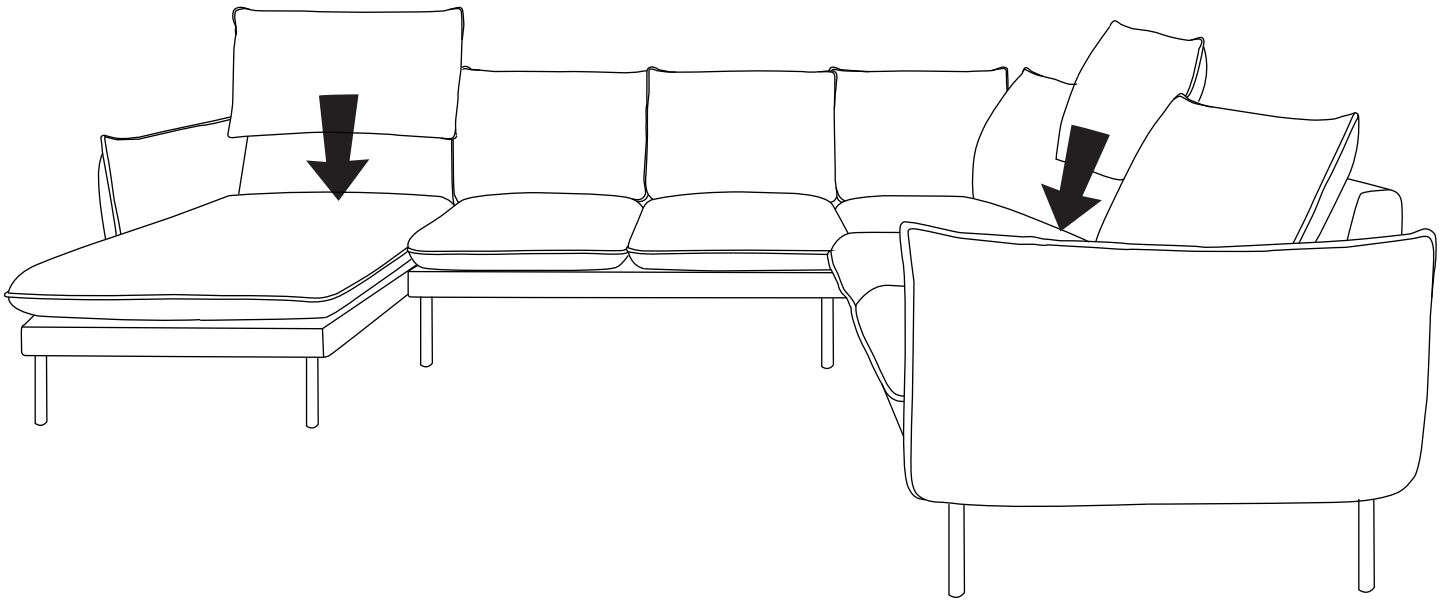
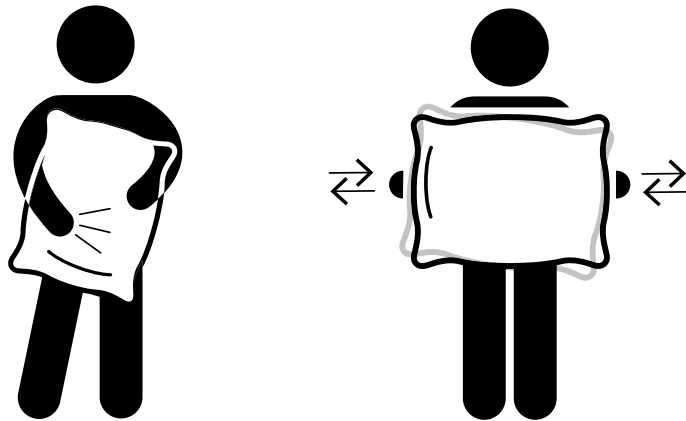
6



7



SHAPE UP ALL PILLOWS AND CUSHIONS!



5 of 5

SHAPE UP ALL PILLOWS AND CUSHIONS!

