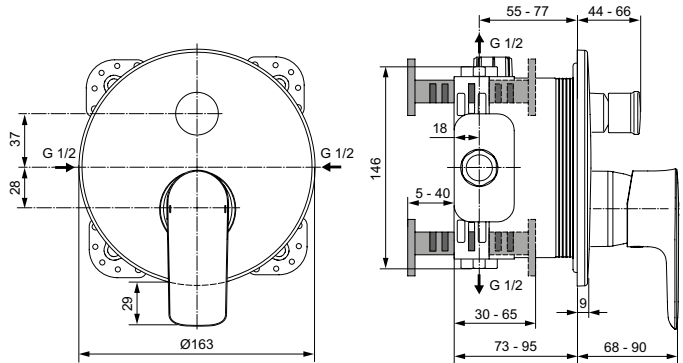




Ideal Standard

BATH-SHOWER MIXERS

Connect Air



Article-No.: A7035A2

Built-in bath&shower mixer

Connect Air built-in bath & shower mixer, kit 2, with 47 mm Click cartridge, automatic diverter, with metal handle with red and blue colour indication - printed on handle and chrome plated plastic escutcheon. To be used only in combination with A1000NU Kit1.

Colour: A2 - Brushed Gold

Technology: Click Technology

More product details:

Type:	With Automatic diverter
Mounting:	Built-in
Operation Type:	Single lever
Style:	Contemporary
Accreditations:	DIN EN 817, DIN 4109 Gruppe 1
Operation Pressure (bar):	3
Flow Rate (litre):	23
Net Weight (kg):	1,028
Material:	PVD coated brass
Designer:	Studio Levien
Height (mm):	163
Width (mm):	163
Depth (mm):	90
Packaging Elements:	Kit 1 + Kit 2
Certificate Number:	EN 817