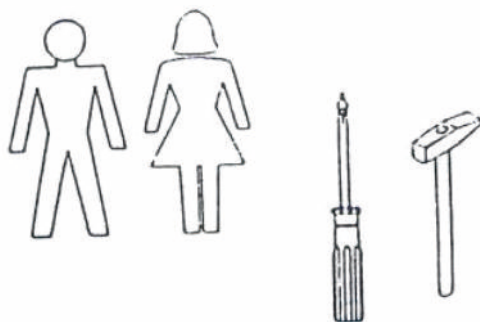
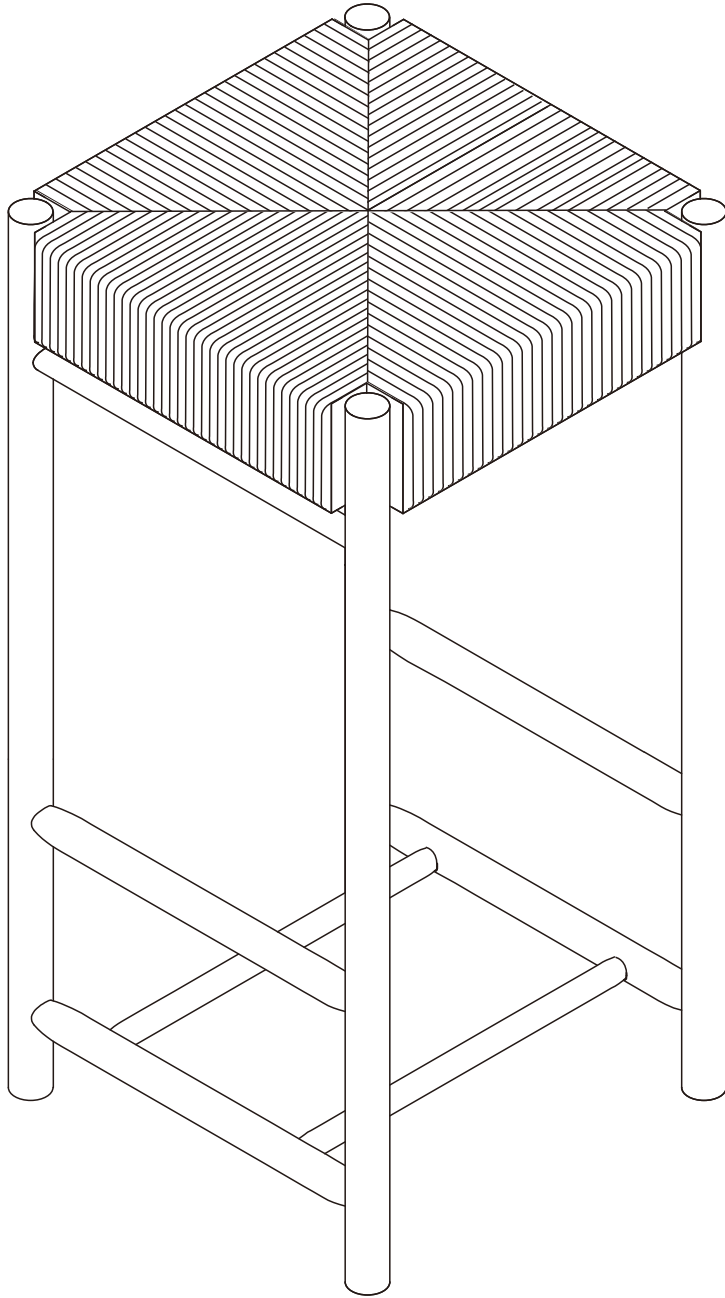


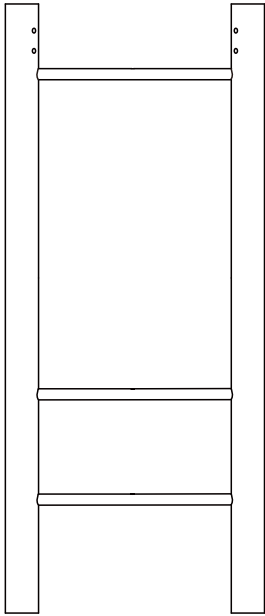
2407007/2407008

# ASSEMBLY INSTRUCTION

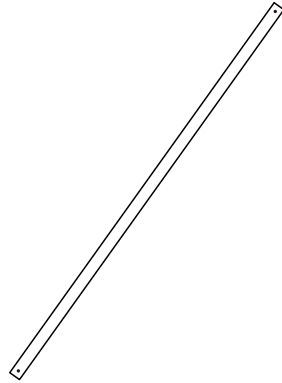
<<Before assembling, read all the instruction>>



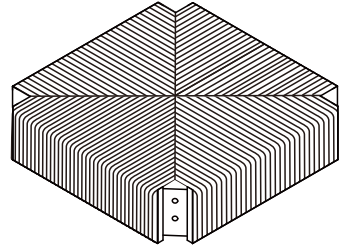
# Components:



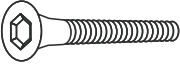



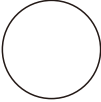
① x2



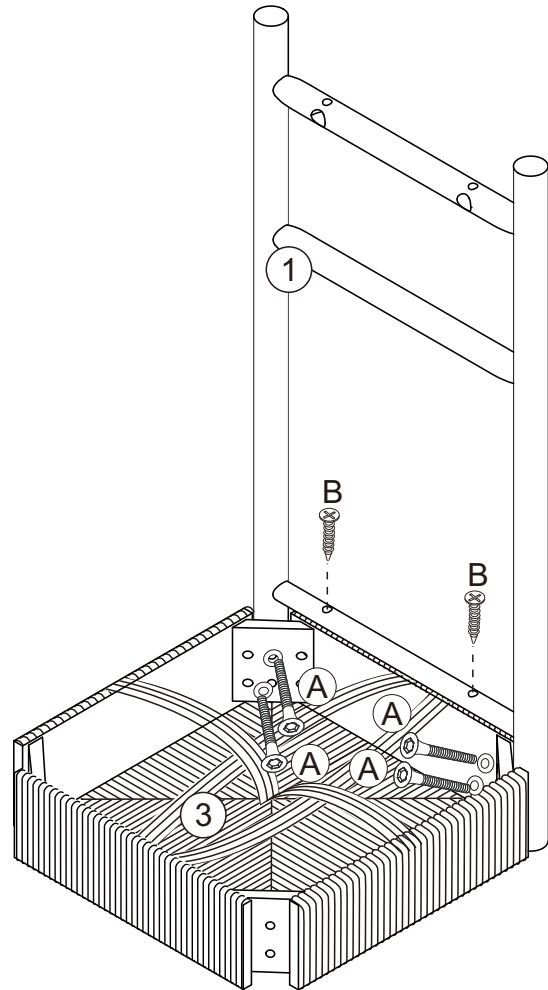
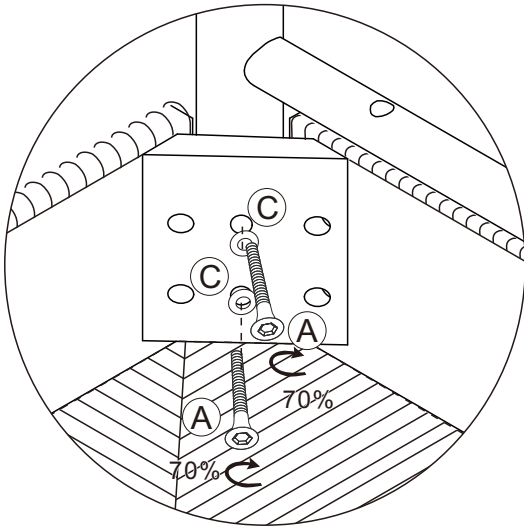
② x2

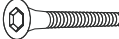





③

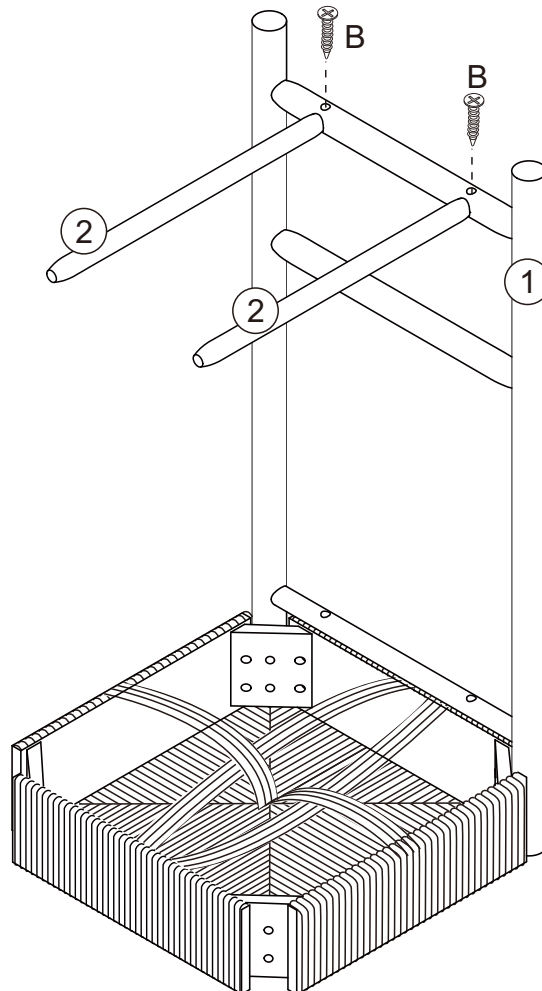
|  |   |   |   |
|--|---|---|---|
| <p>A x 8</p>  <p>6x50 mm</p>  | <p>B x 8</p>  <p>4x12 mm</p> | <p>C x 8</p>  <p>17x1 mm</p> | <p>D x 1</p>  <p>4x35 mm</p> |
| <p>E x 4</p>  <p>Ø25x3 mm</p> |   |   |   |

# Step 1



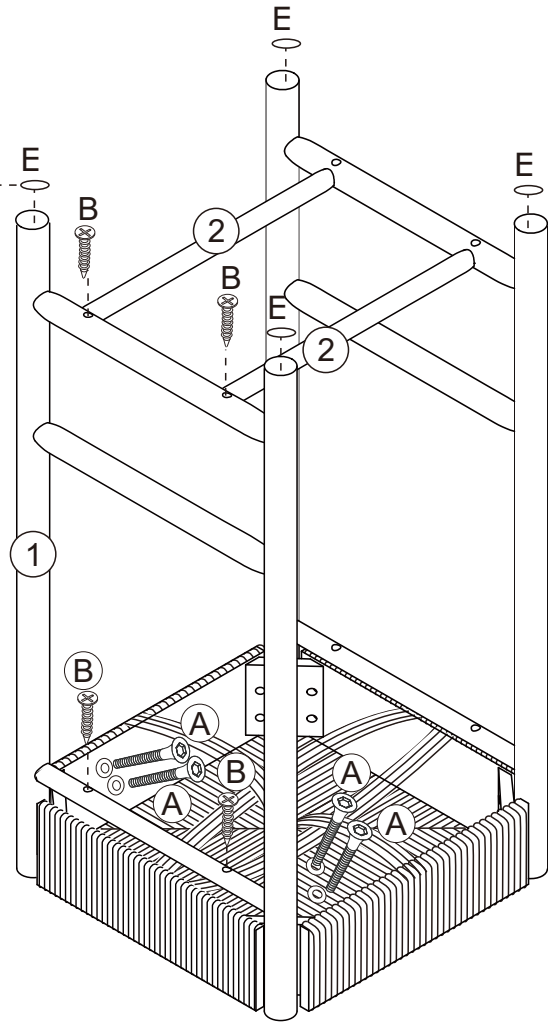
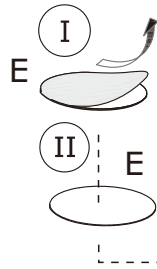
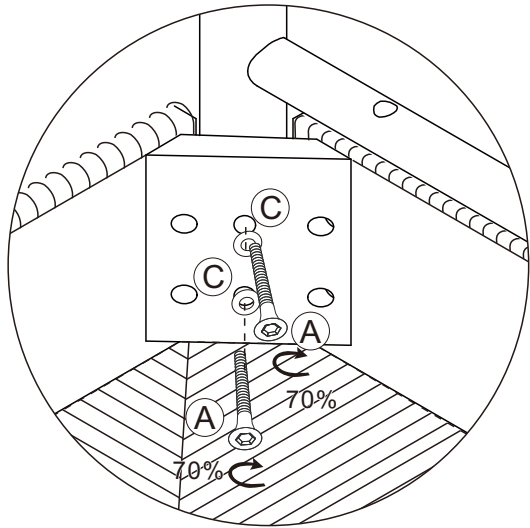
|  |     |
|--|-----|
|    | Ax4 |
|    | Bx2 |
|  | Cx4 |
|  | Dx1 |

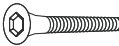




# Step 2



|  |     |
|--|-----|
|  | Bx2 |
|--|-----|

# Step 3



|  |     |
|--|-----|
|    | Ax4 |
|    | Bx4 |
|    | Cx4 |
|   | Dx1 |
|  | Ex4 |

# Step 4

