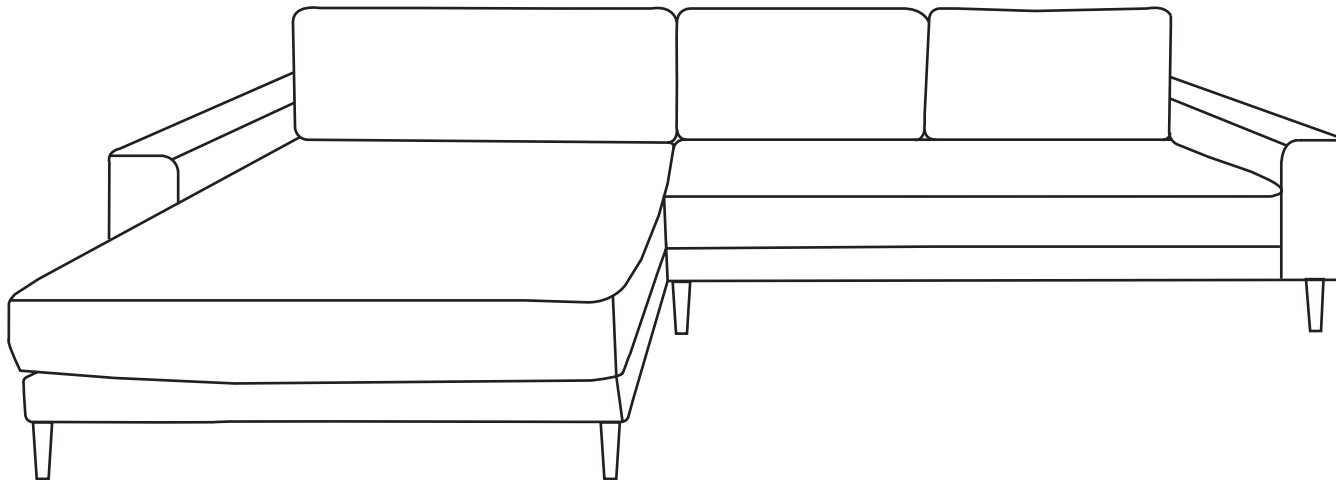


ASSEMBLY INSTRUCTION

LIDO LOUNGE SOFA

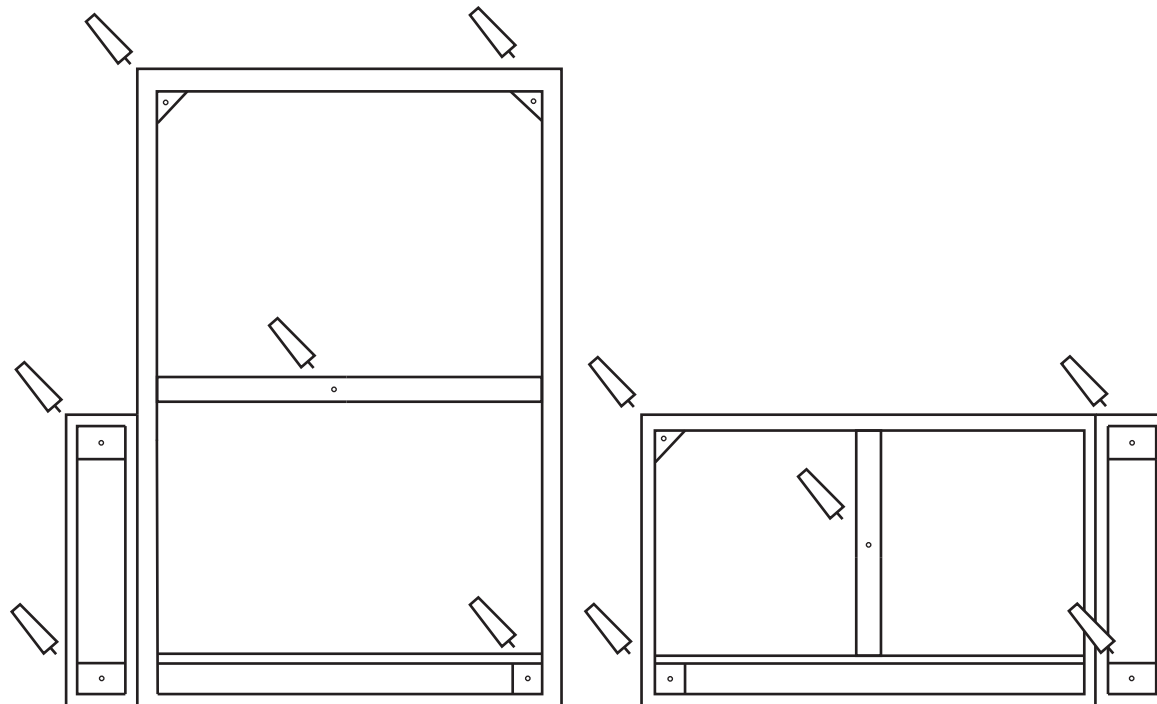




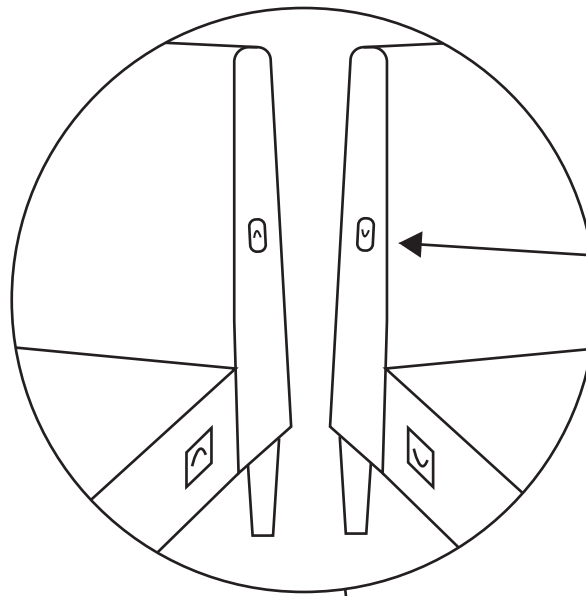
Legs x 11

1

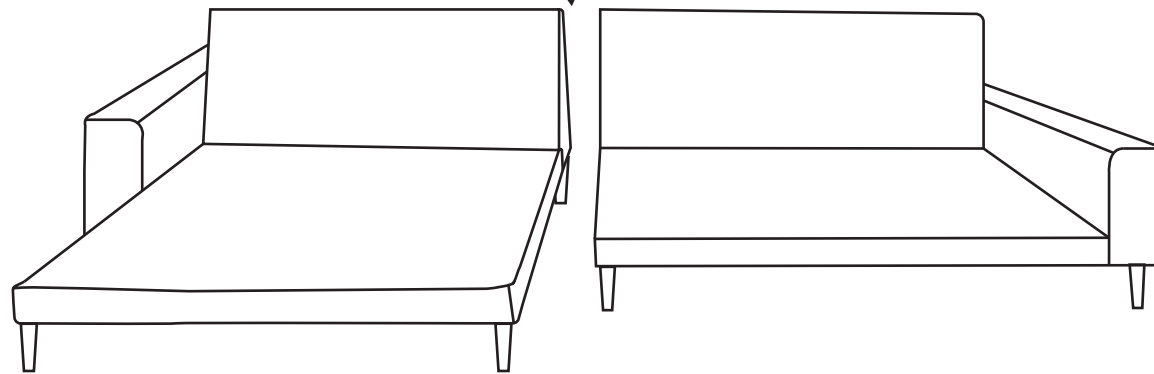
Screw the legs on to the sofa



2

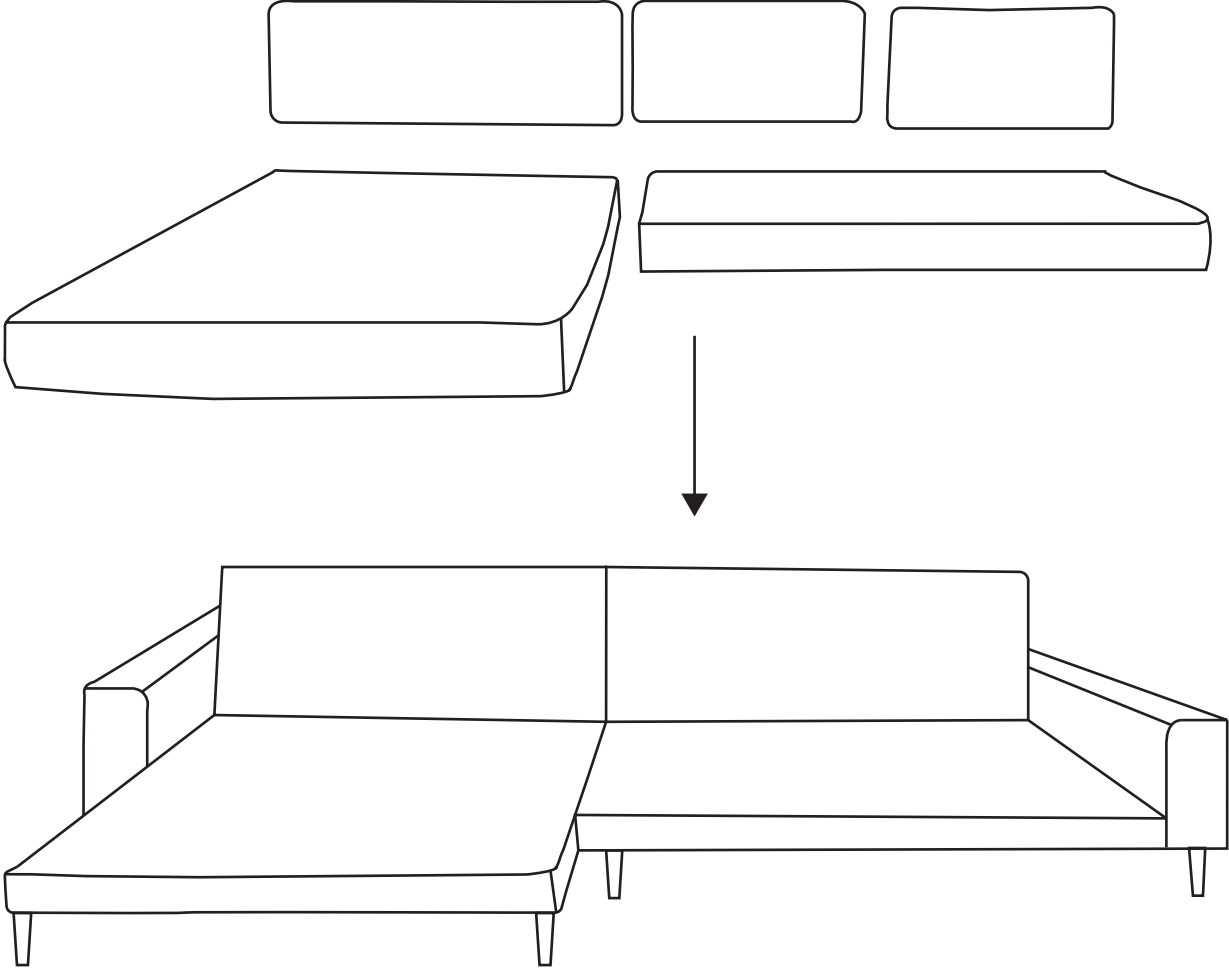


Lift and slide the six metal grips into each other



3

Place the cushions in the sofa



4

