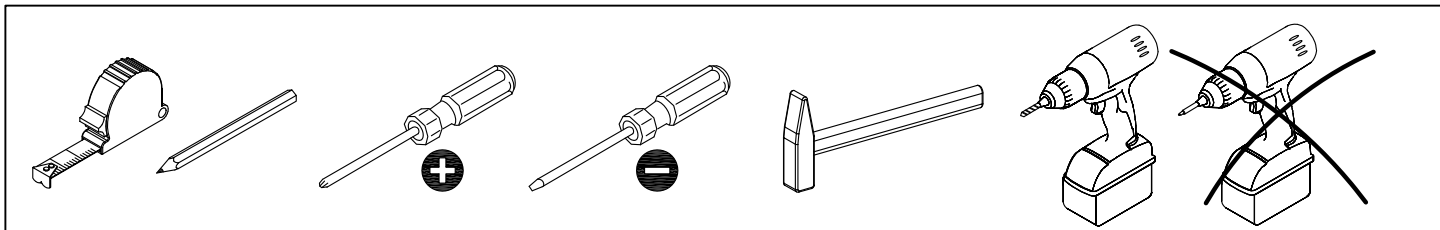
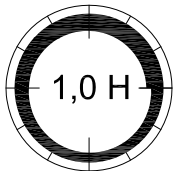
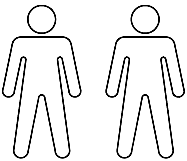
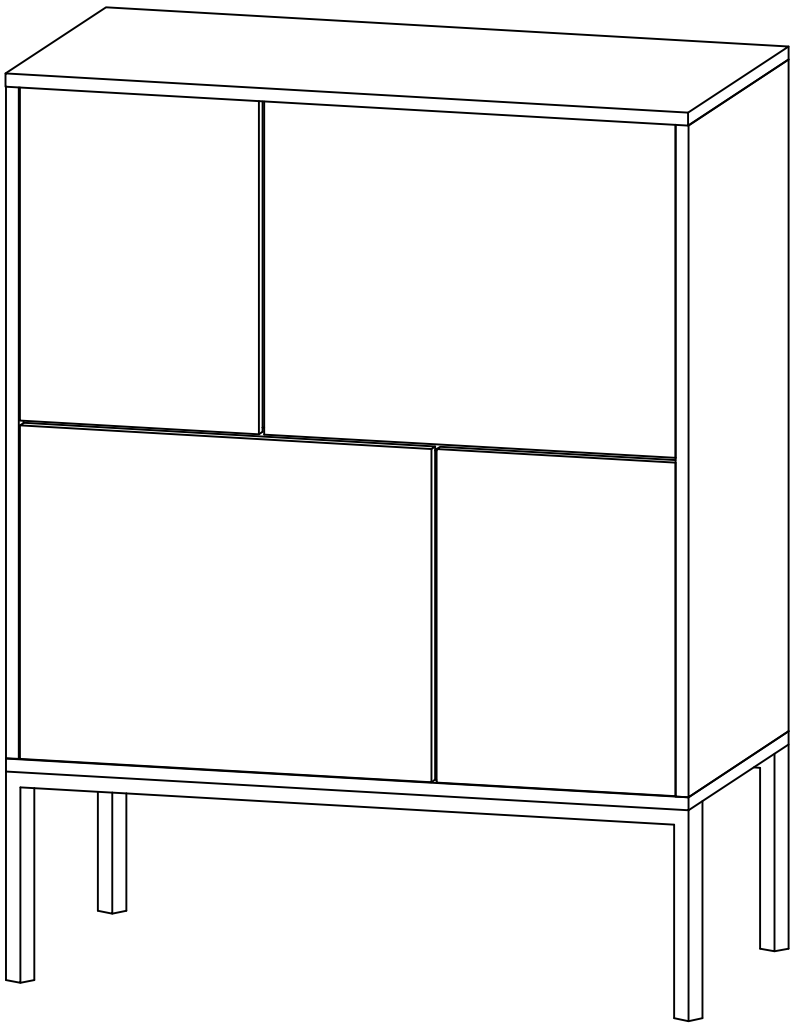
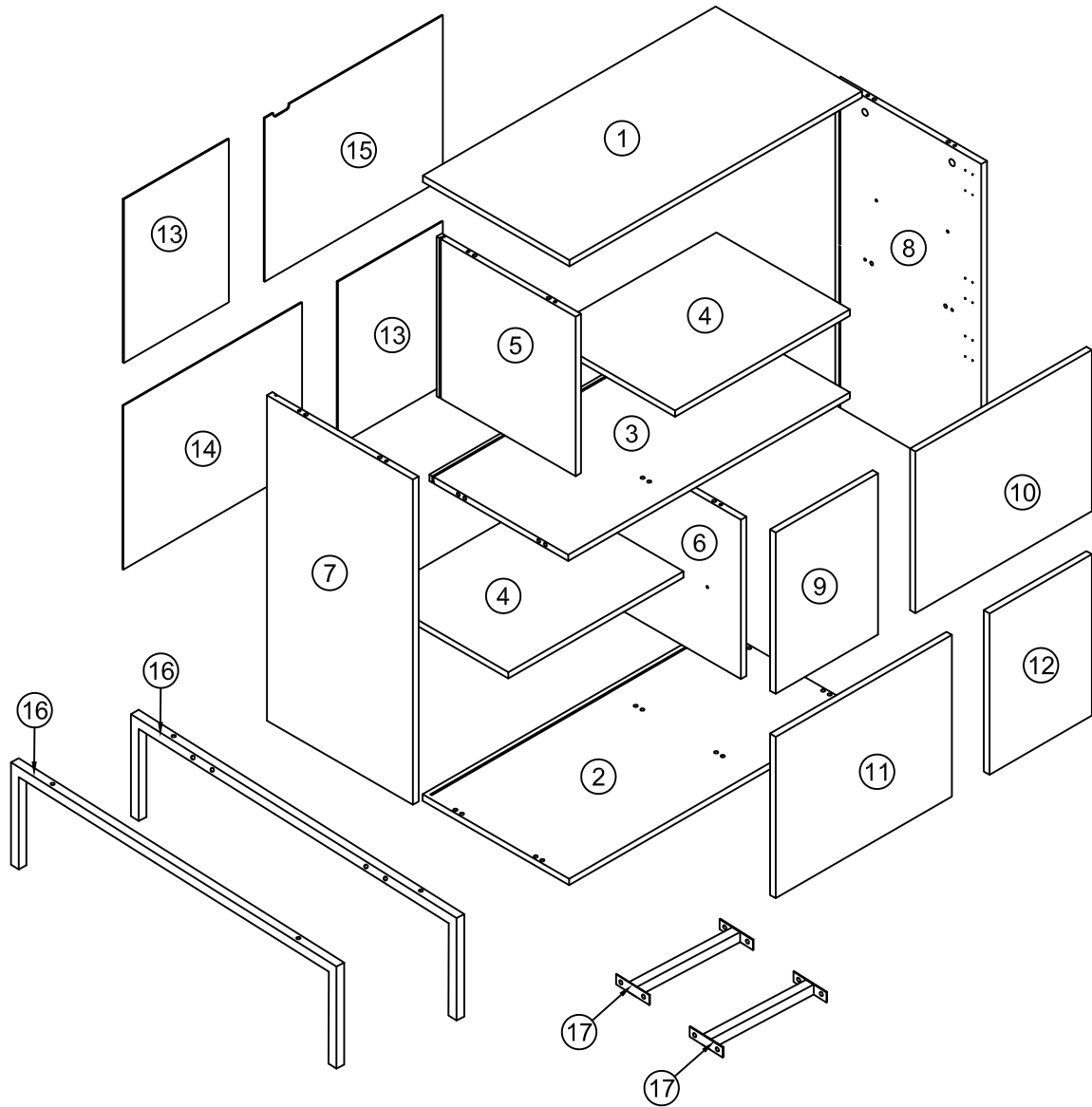


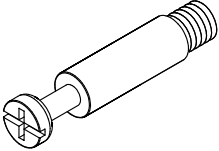
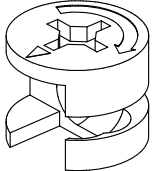
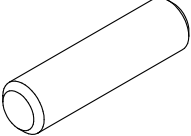
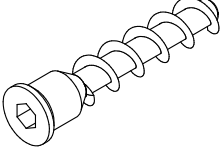
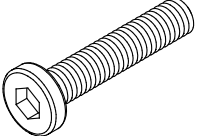
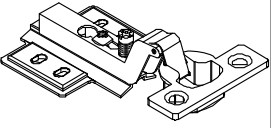
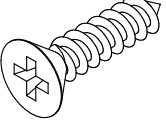
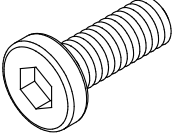
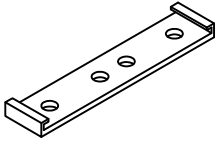
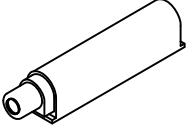
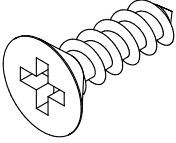
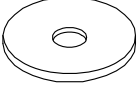
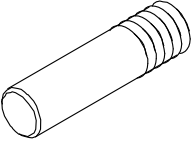
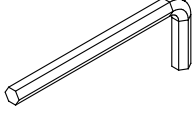
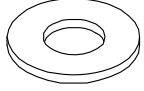
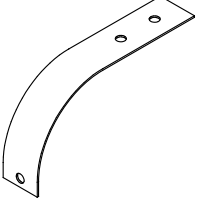
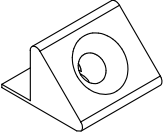
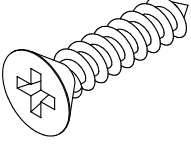
SEAFORD



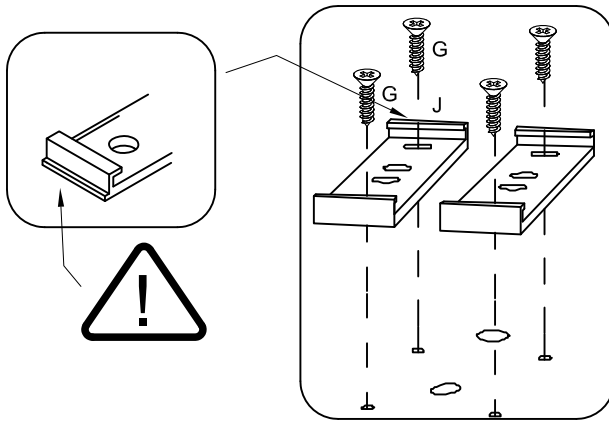
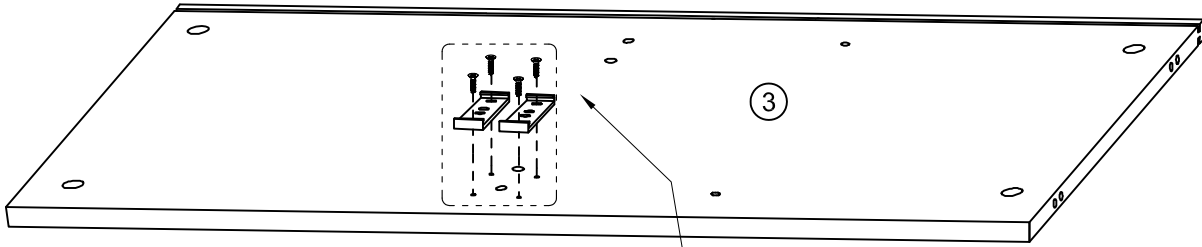
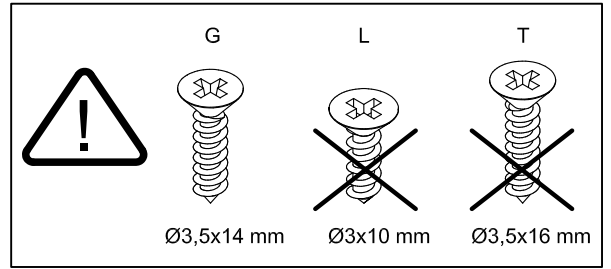
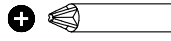
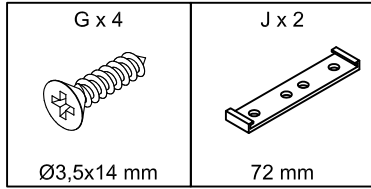
			✓
①	1	800x400x15	
②	1	800x400x15	
③	1	768x379x15	
④	2	475x356x15	
⑤	1	379x377,5x15	
⑥	1	379x377,5x15	
⑦	1	770x399x15	
⑧	1	770x399x15	
⑨	1	380x280x15	

			✓
⑩	1	480x380x15	
⑪	1	480x380x15	
⑫	1	380x280x15	
⑬	2	386x286x3	
⑭	1	486x386x3	
⑮	1	486x386x3	
⑯	2	795x230x20	
⑰	2	353x20x20	

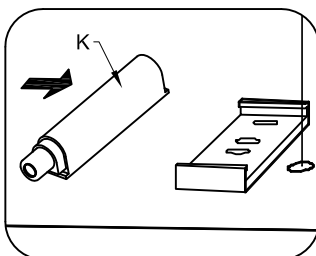
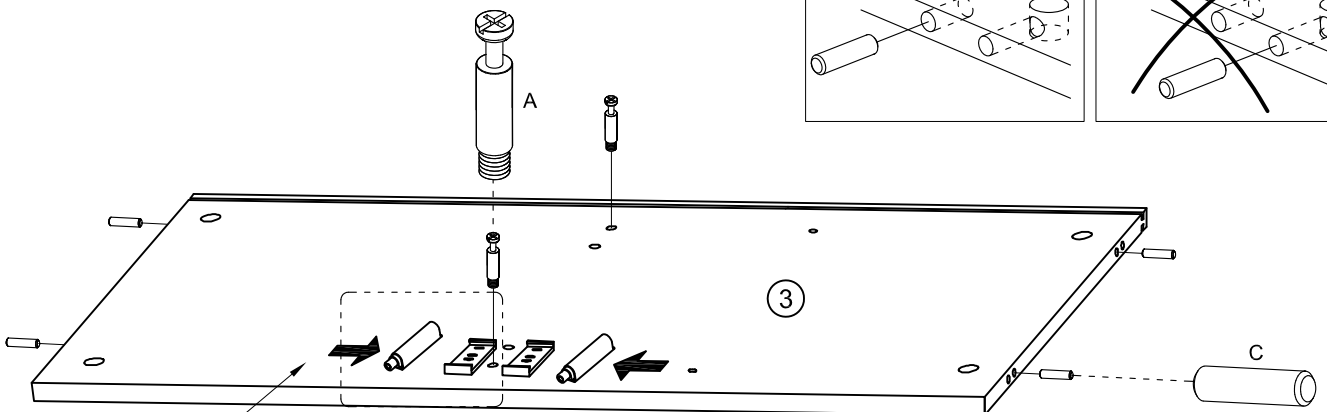
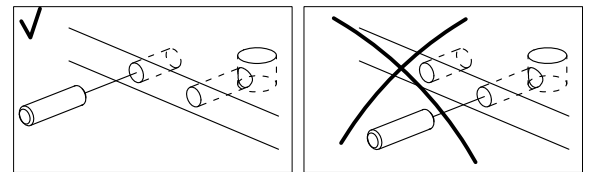
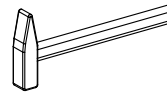
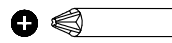
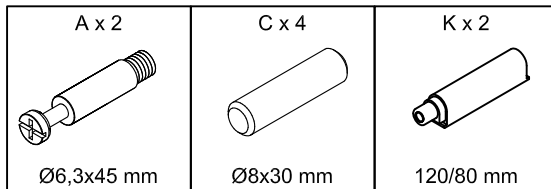


<p>A x 12</p>  <p>Ø6,3x45 mm</p>	<p>B x 12</p>  <p>Ø15x12 mm</p>	<p>C x 20</p>  <p>Ø8x30 mm</p>	<p>D x 8</p>  <p>Ø7/38 mm</p>	<p>E x 4</p>  <p>M6x30 mm</p>
<p>F x 8</p>  <p>FK17</p>	<p>G x 58</p>  <p>Ø3,5x14 mm</p>	<p>H x 8</p>  <p>M6x15 mm</p>	<p>J x 4</p>  <p>72 mm</p>	<p>K x 4</p>  <p>120/80 mm</p>
<p>L x 4</p>  <p>Ø3x10 mm</p>	<p>M x 4</p>  <p>Ø3/Ø16 mm</p>	<p>N x 8</p>  <p>Ø5x20 mm</p>	<p>P x 1</p>  <p>4 mm</p>	<p>Q x 3</p>  <p>Ø6/Ø16 mm</p>
<p>R x 1</p>  <p>150 mm</p>	<p>S x 6</p>  <p>9x9x14 mm</p>	<p>T x 6</p>  <p>Ø3,5x16 mm</p>		

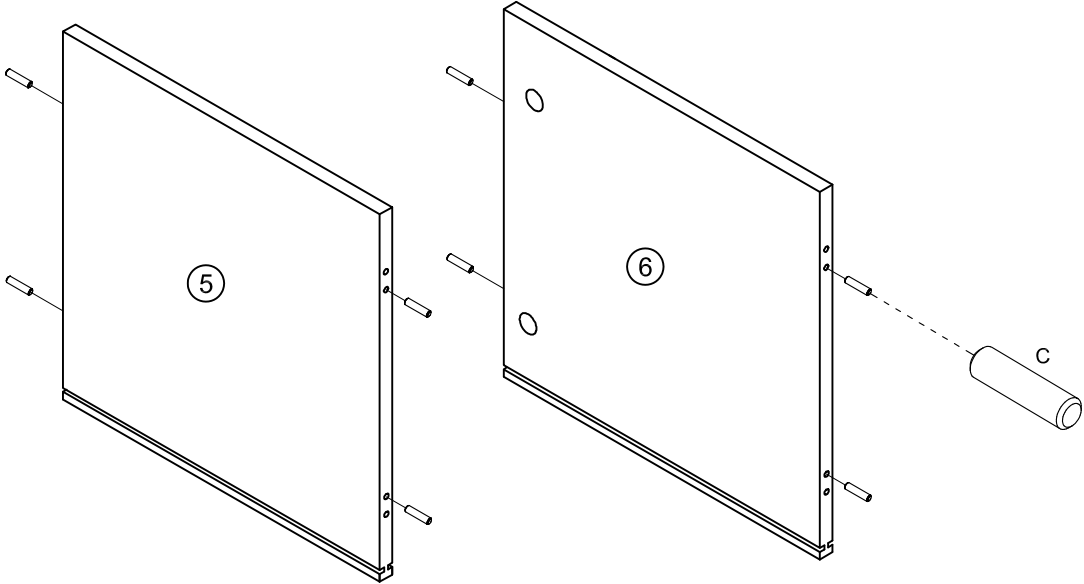
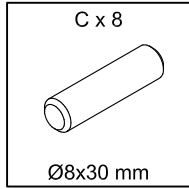
3



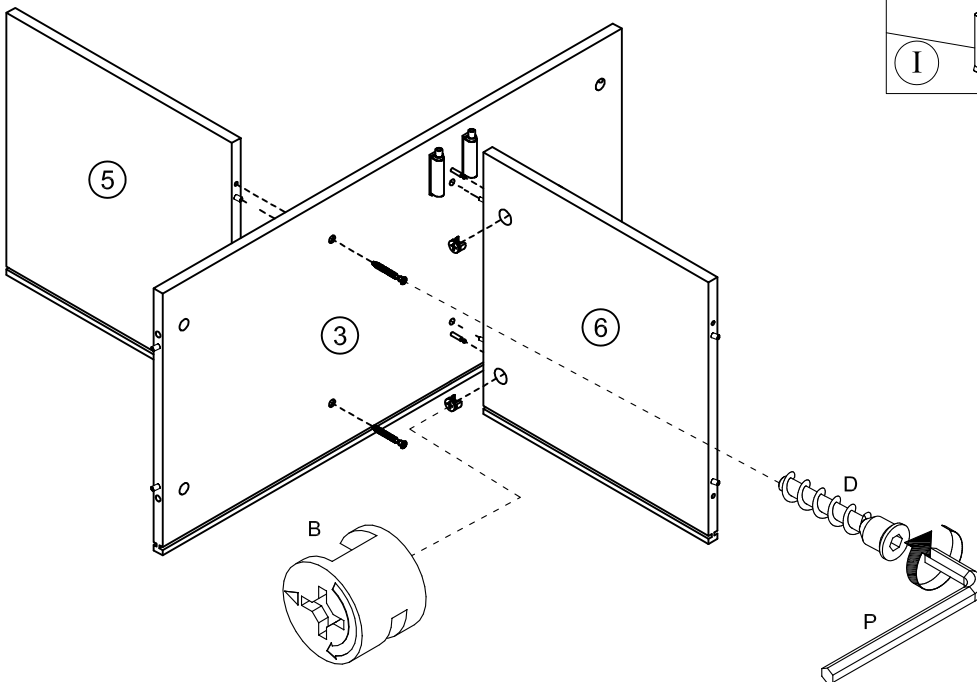
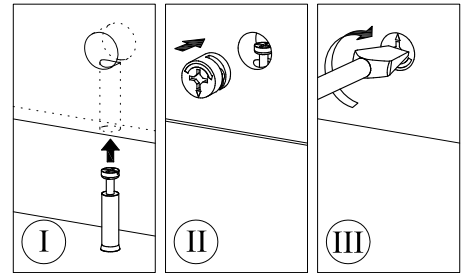
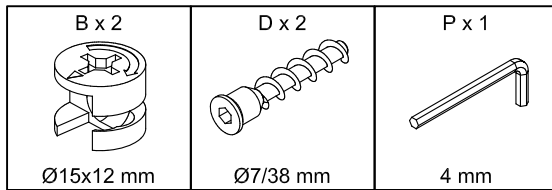
4



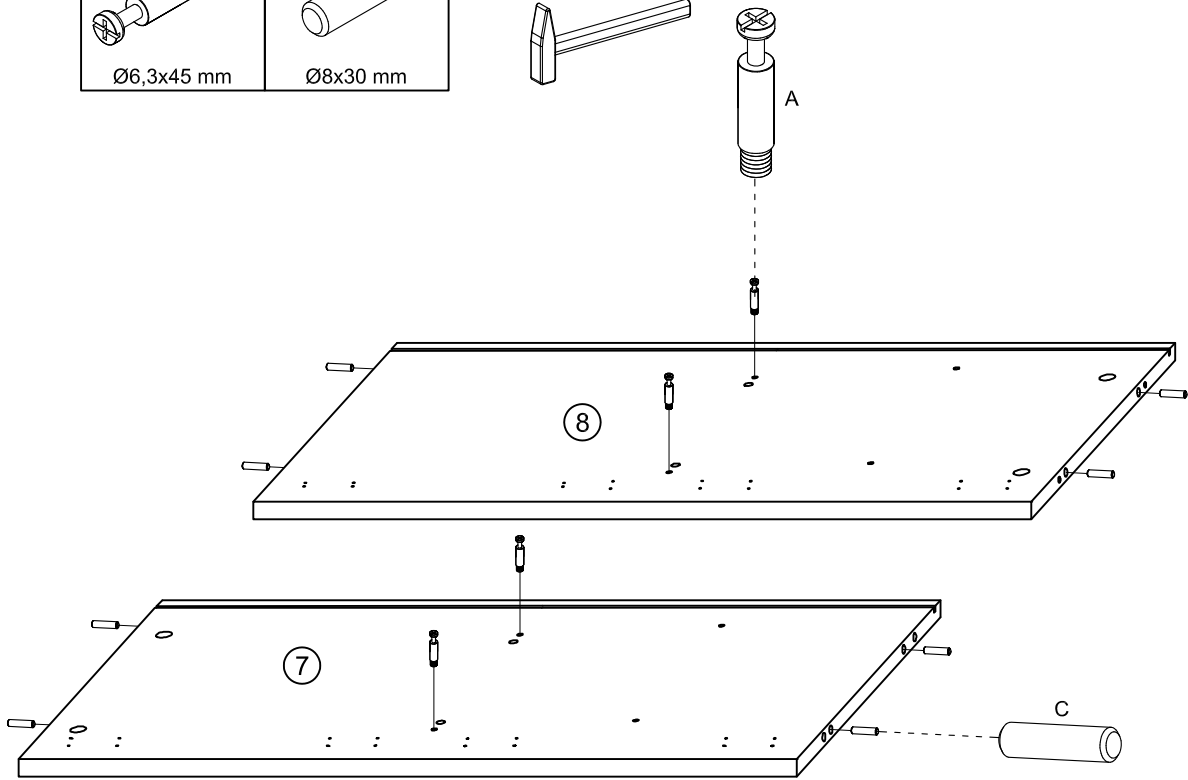
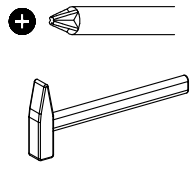
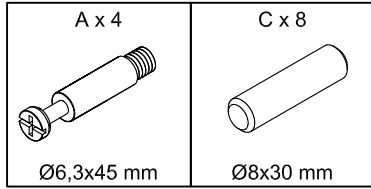
5



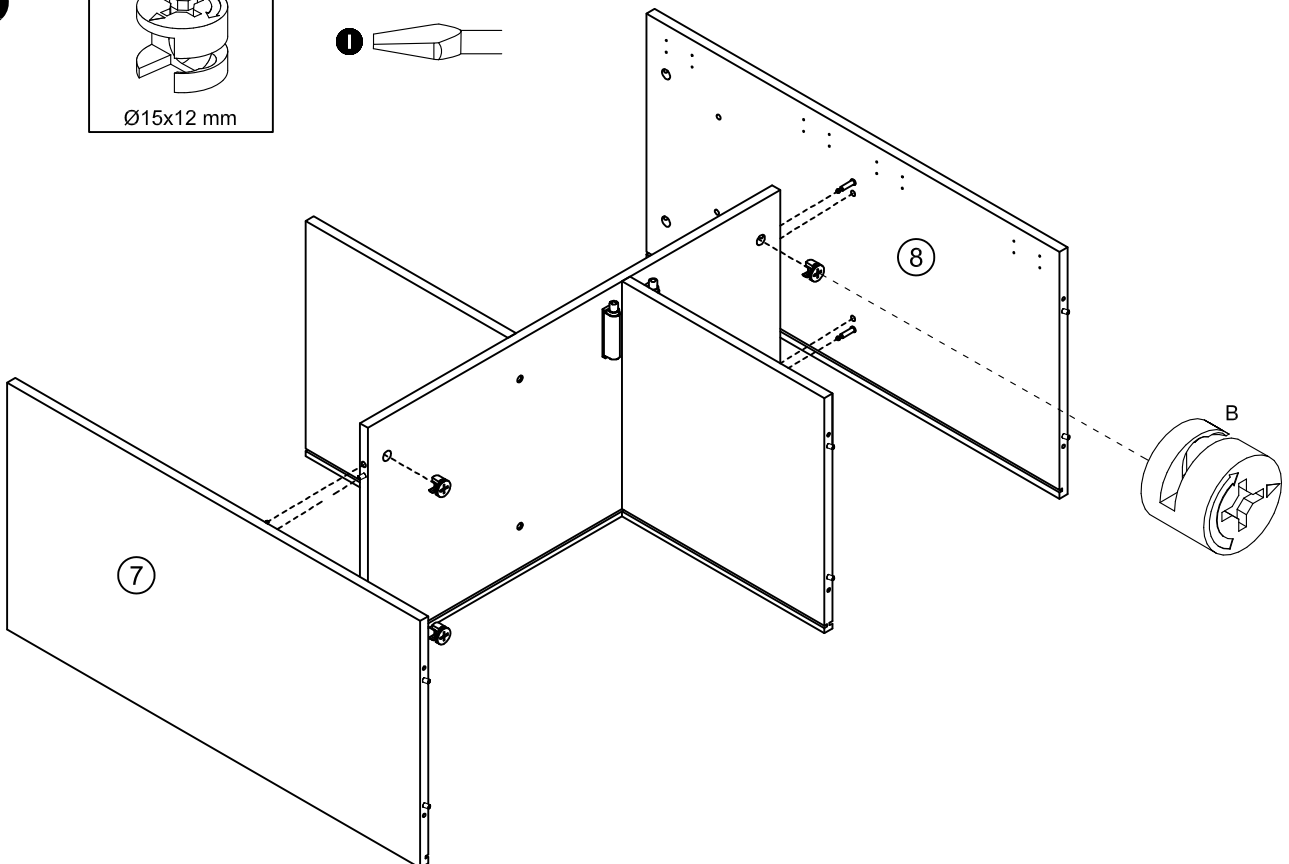
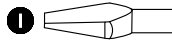
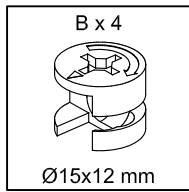
6



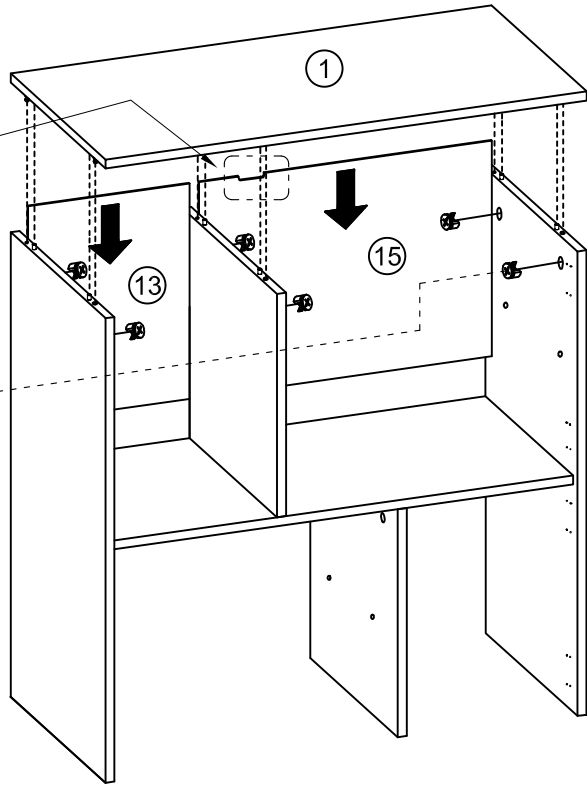
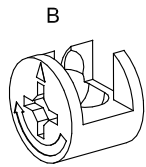
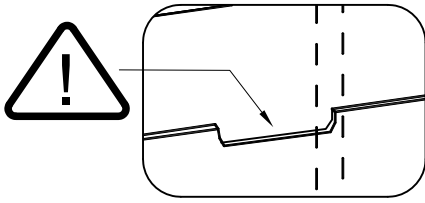
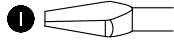
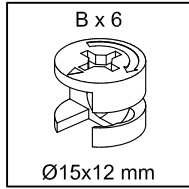
7



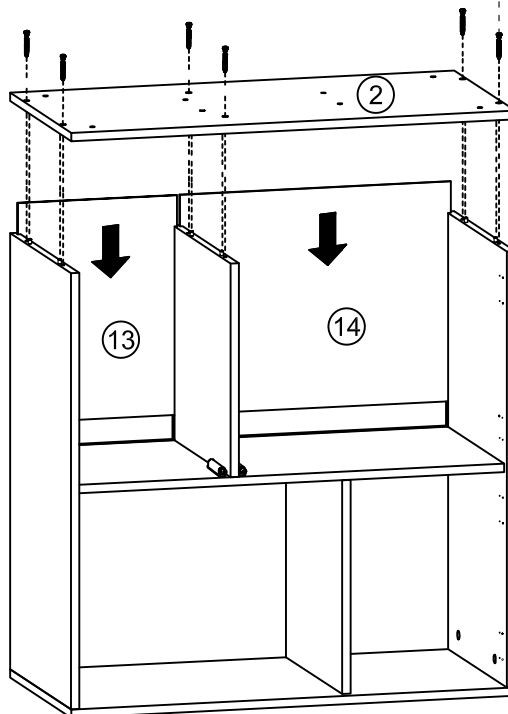
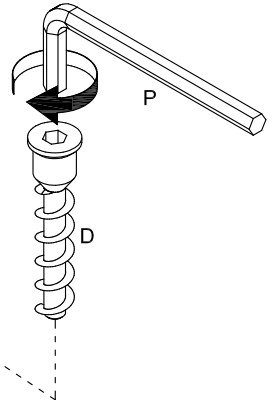
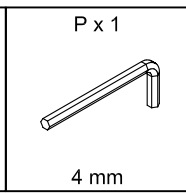
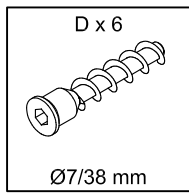
8



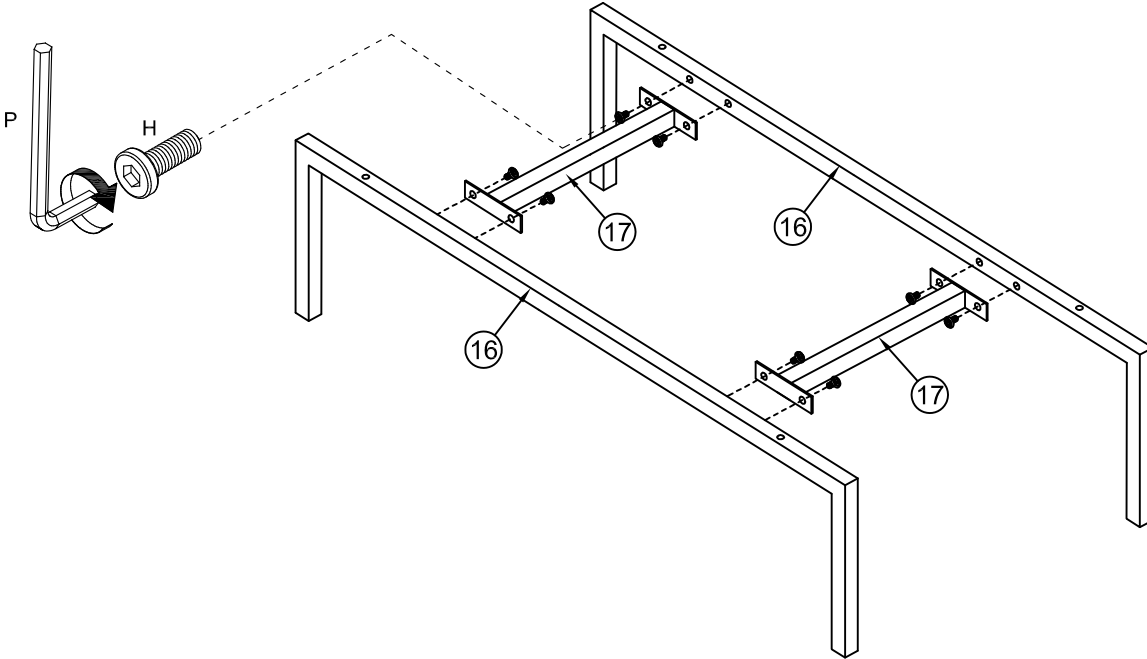
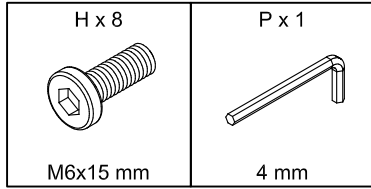
9



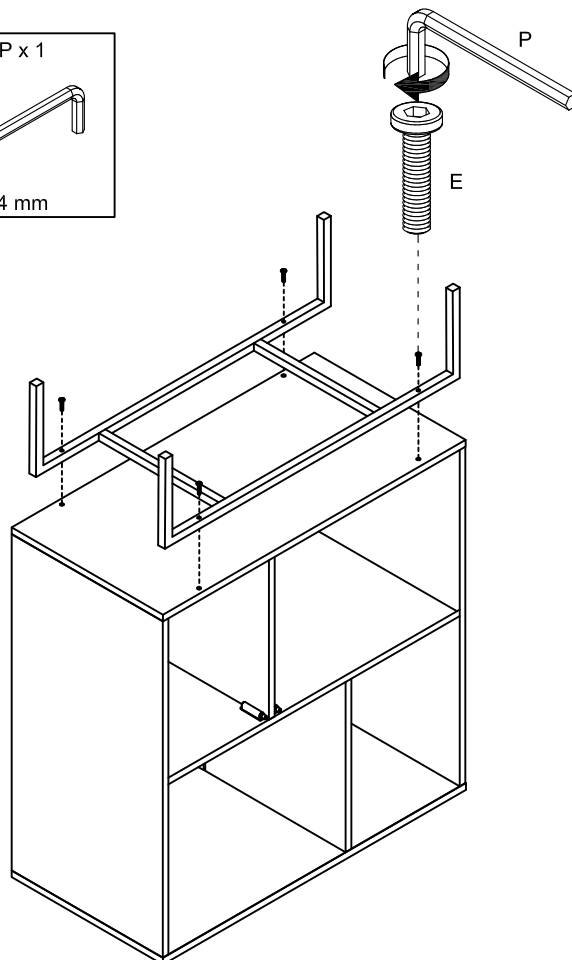
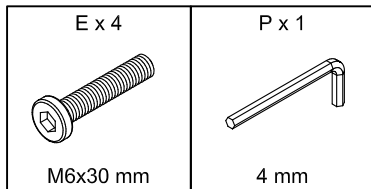
10



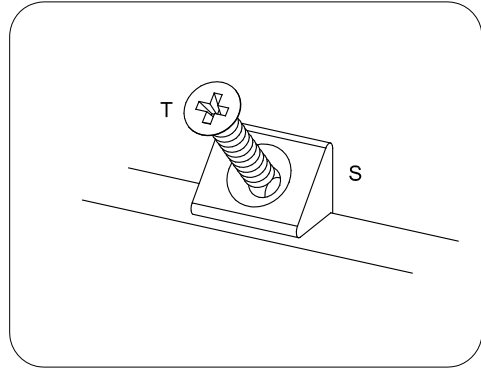
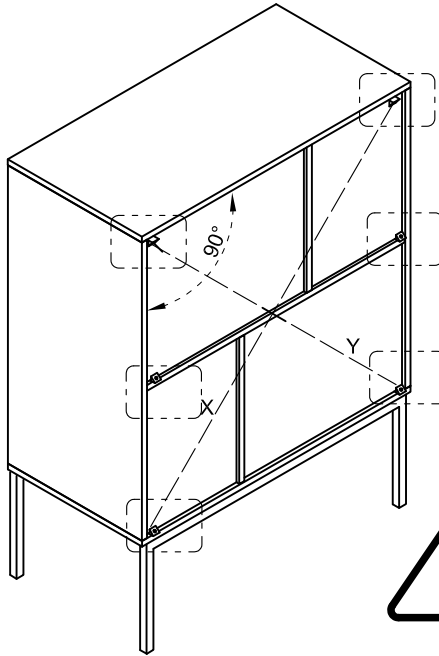
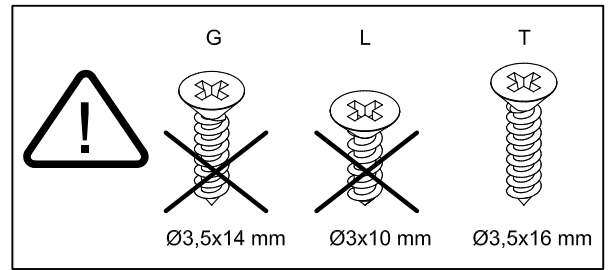
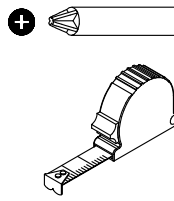
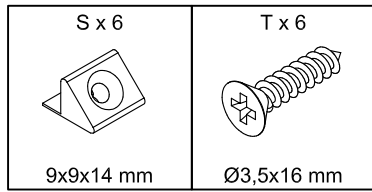
11



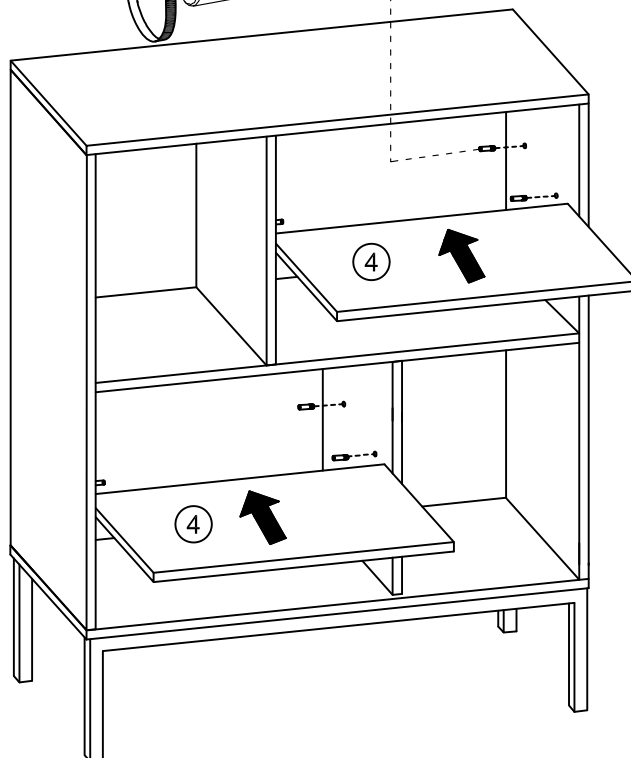
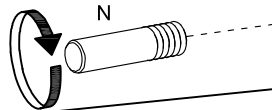
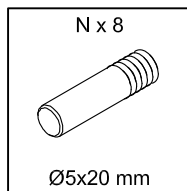
12



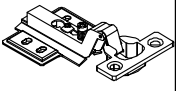
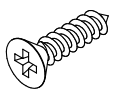
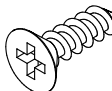

13

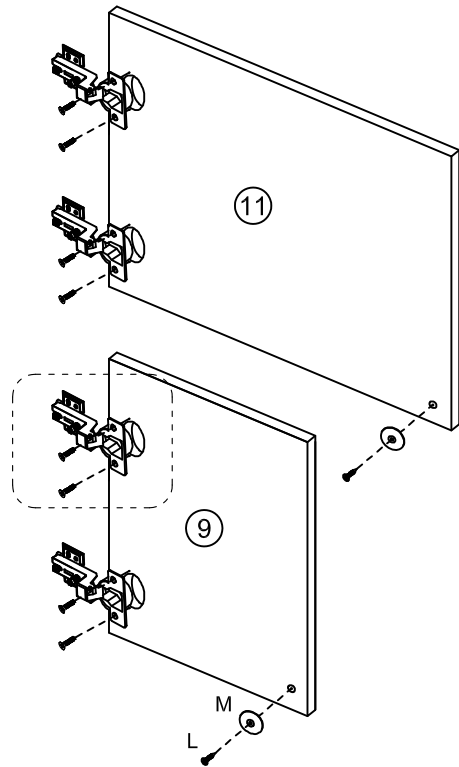
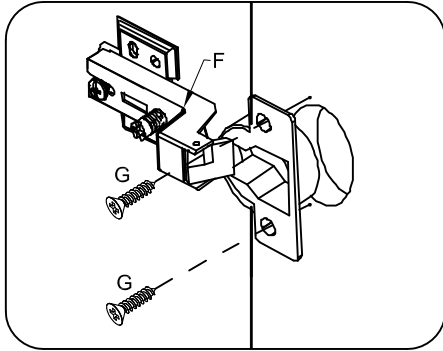
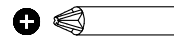


14

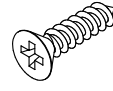


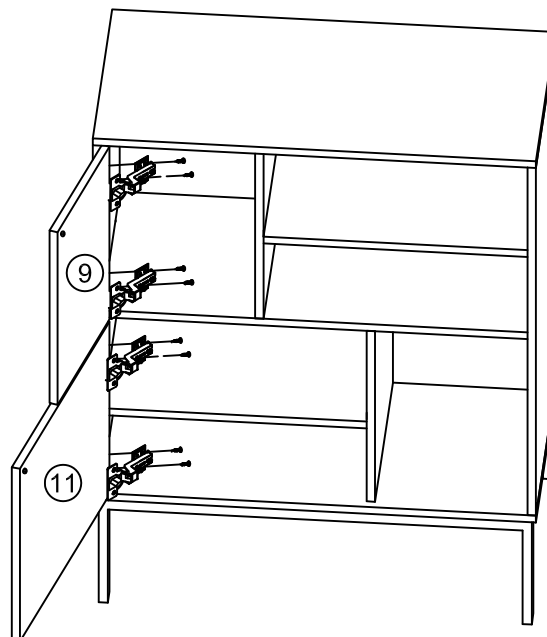
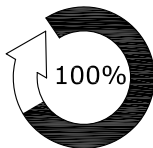
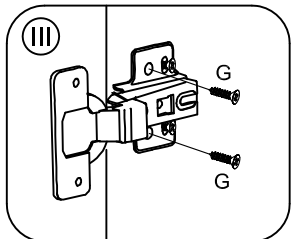
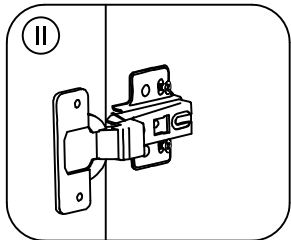
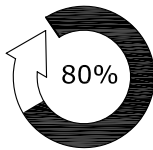
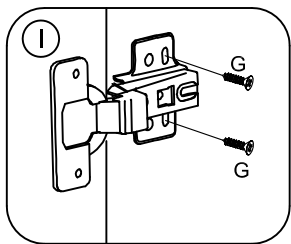
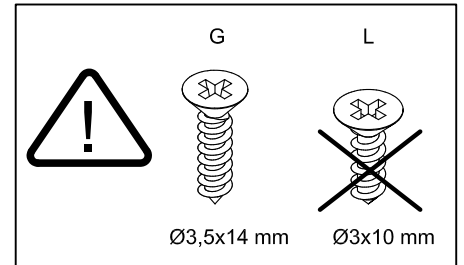
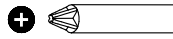
15

F x 4  FK17	G x 8  Ø3,5x14 mm	L x 2  Ø3x10 mm	M x 2  Ø3/Ø16 mm
--	--	--	---

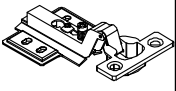
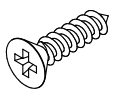
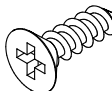



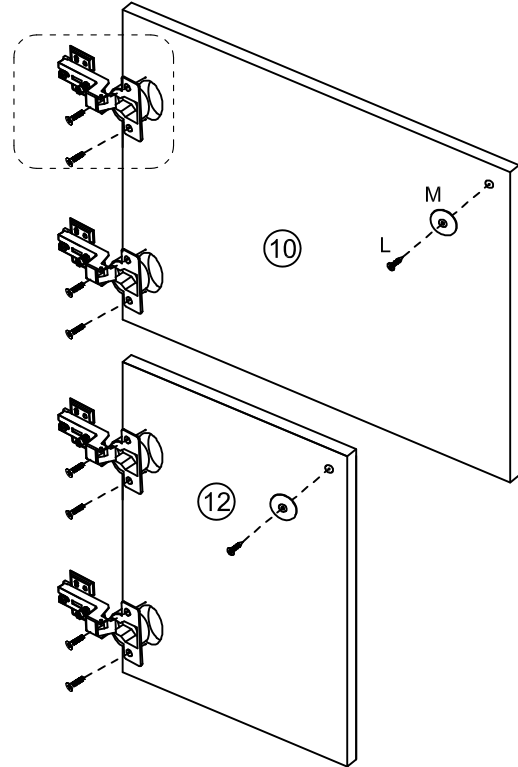
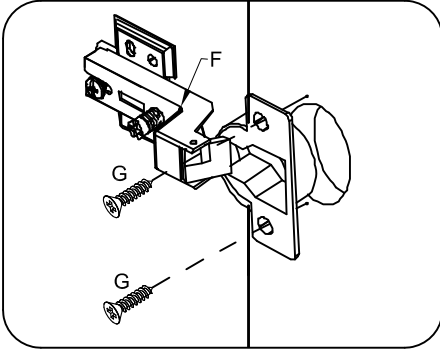
16

G x 16  Ø3,5x14 mm

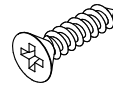


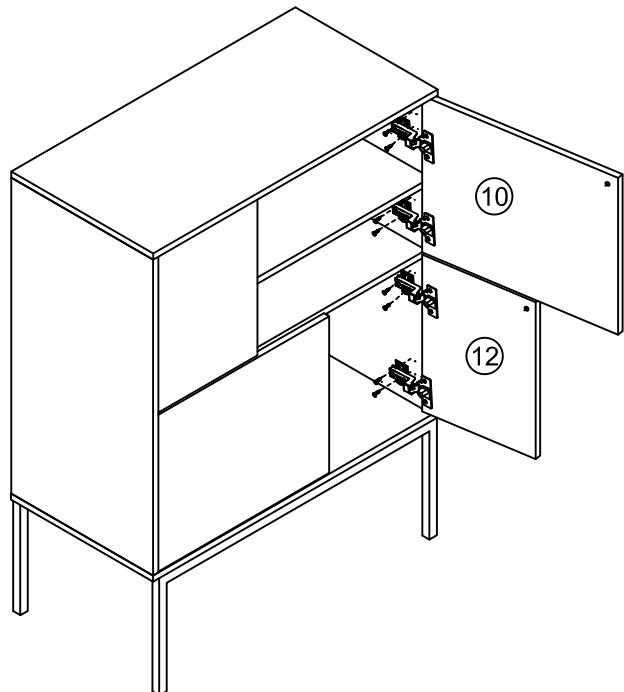
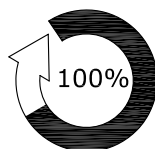
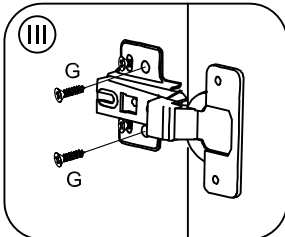
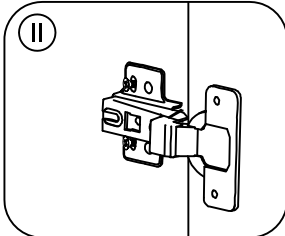
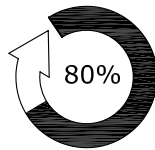
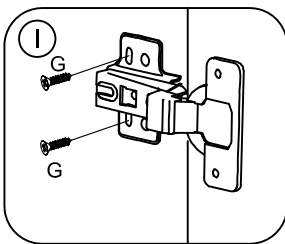
17

F x 4  FK17	G x 8  Ø3,5x14 mm	L x 2  Ø3x10 mm	M x 2  Ø3/Ø16 mm
--	--	--	---

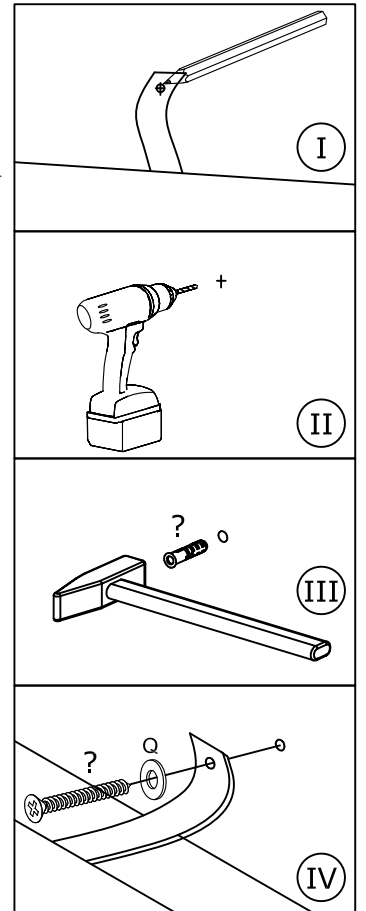
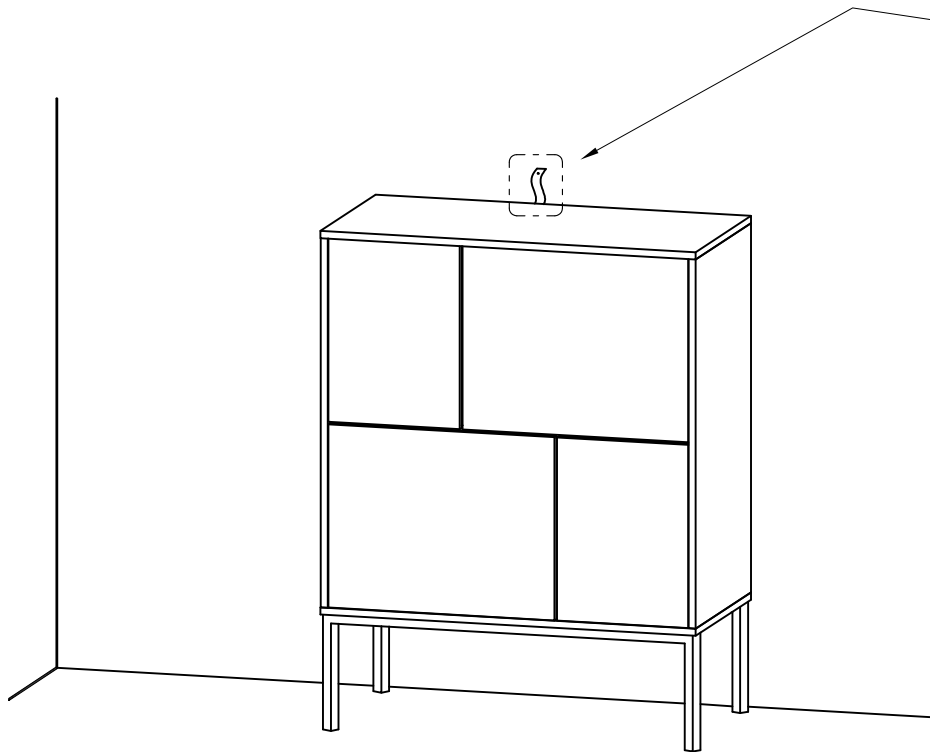
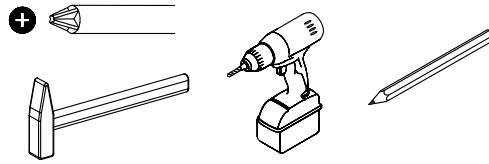
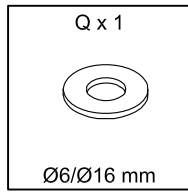


18

G x 16  Ø3,5x14 mm



19



20

