

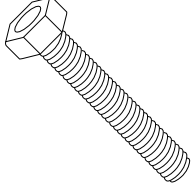
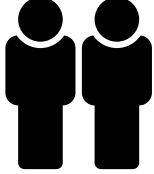
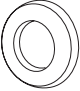
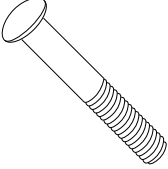



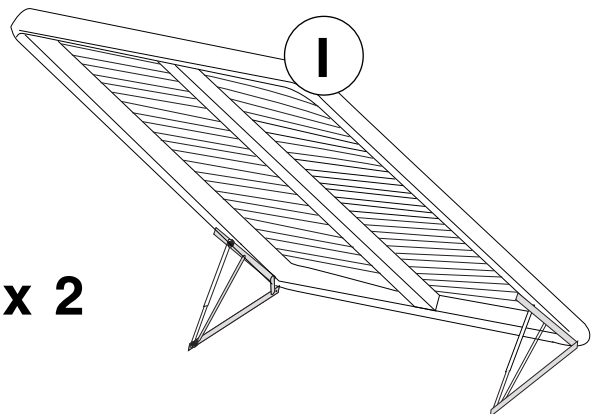
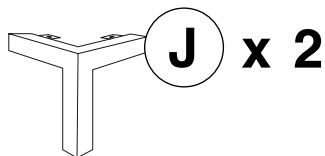
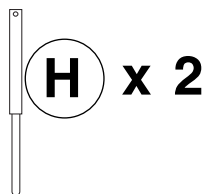
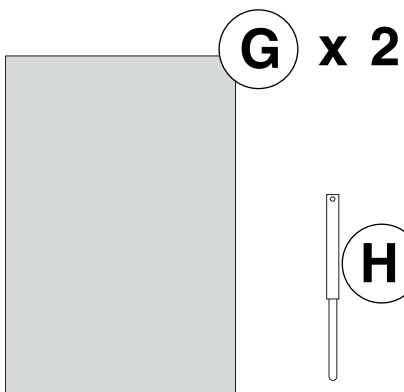
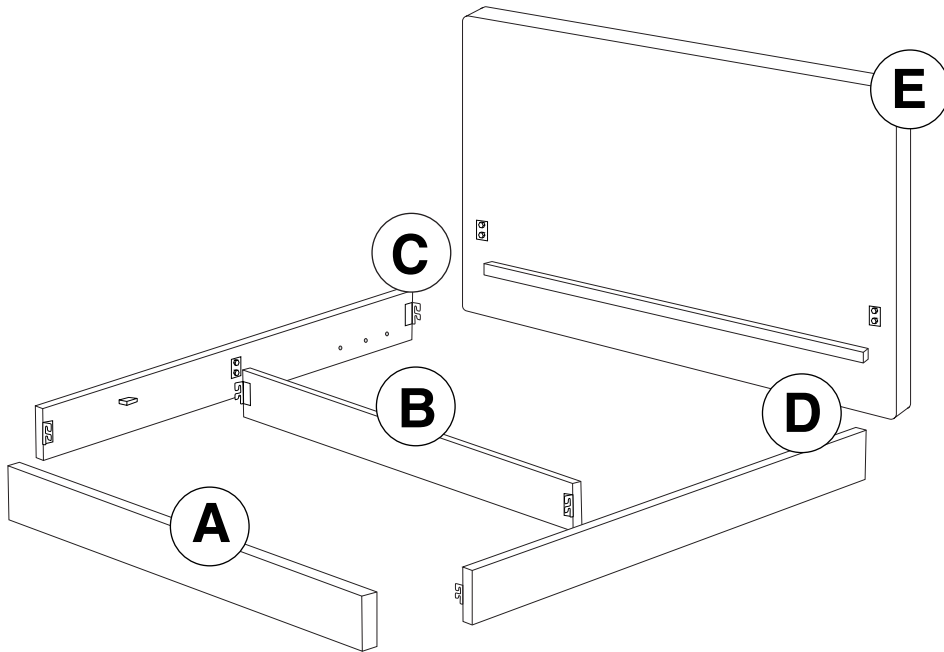


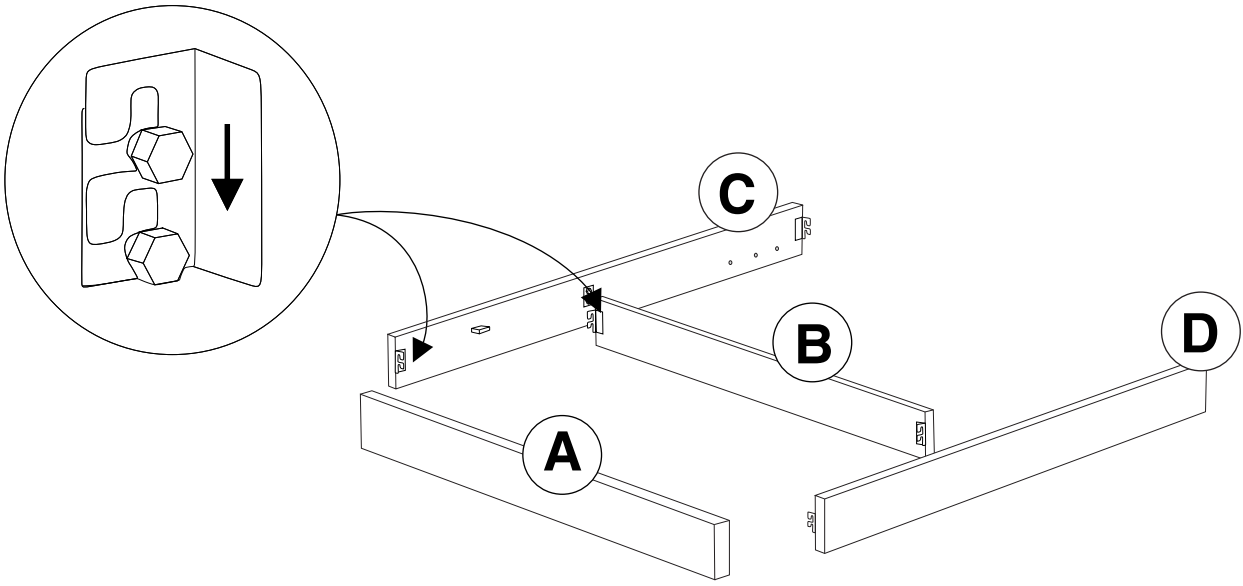
# Casey

bed

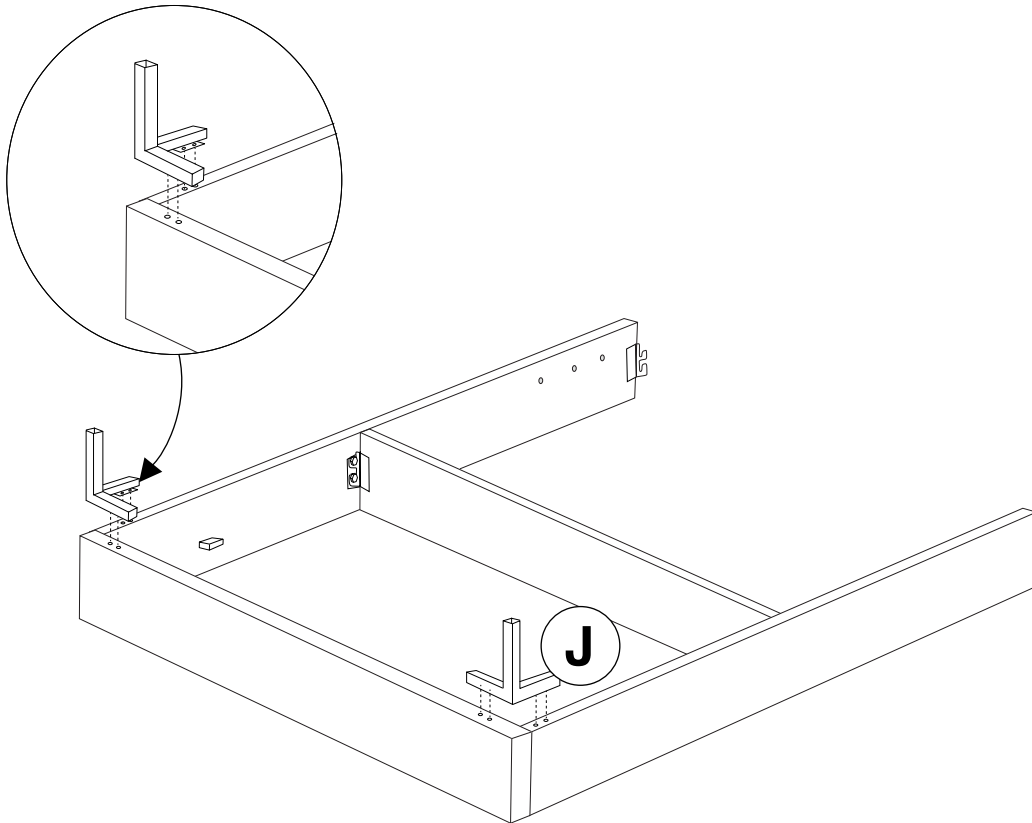
<p>x4</p> 	<p>x6</p> 	<p>x4</p> 		
<p>x10</p> 	<p>x6</p> 	<p>x8</p> 	<p>x4</p> 	<p>x6</p> 



1

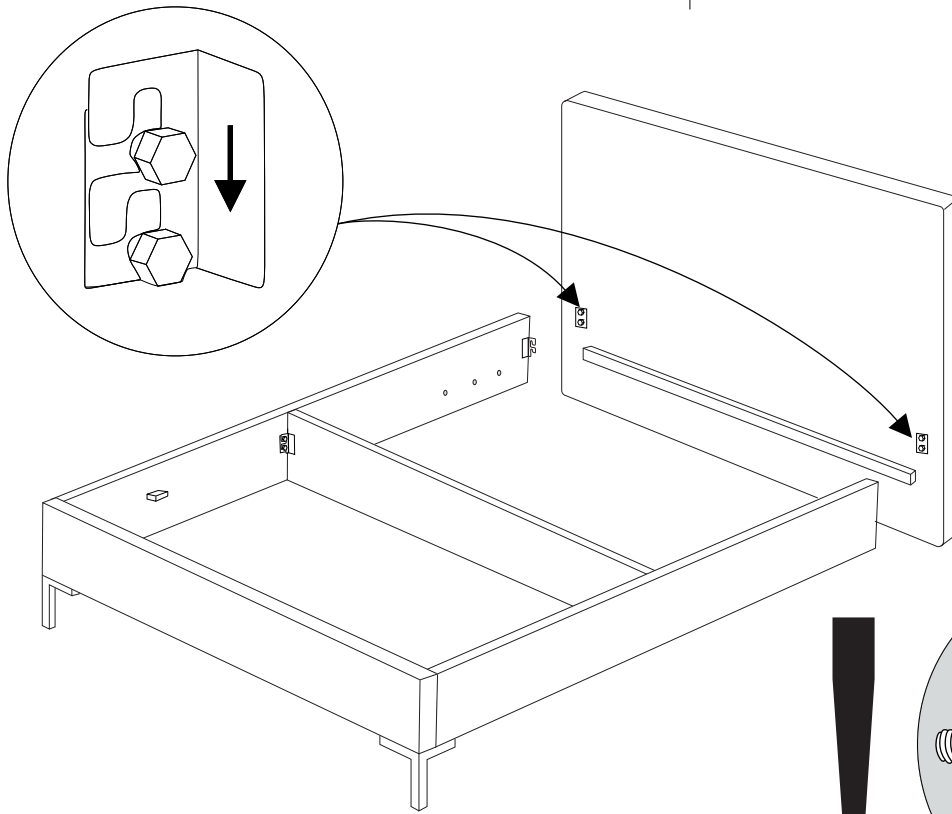


2

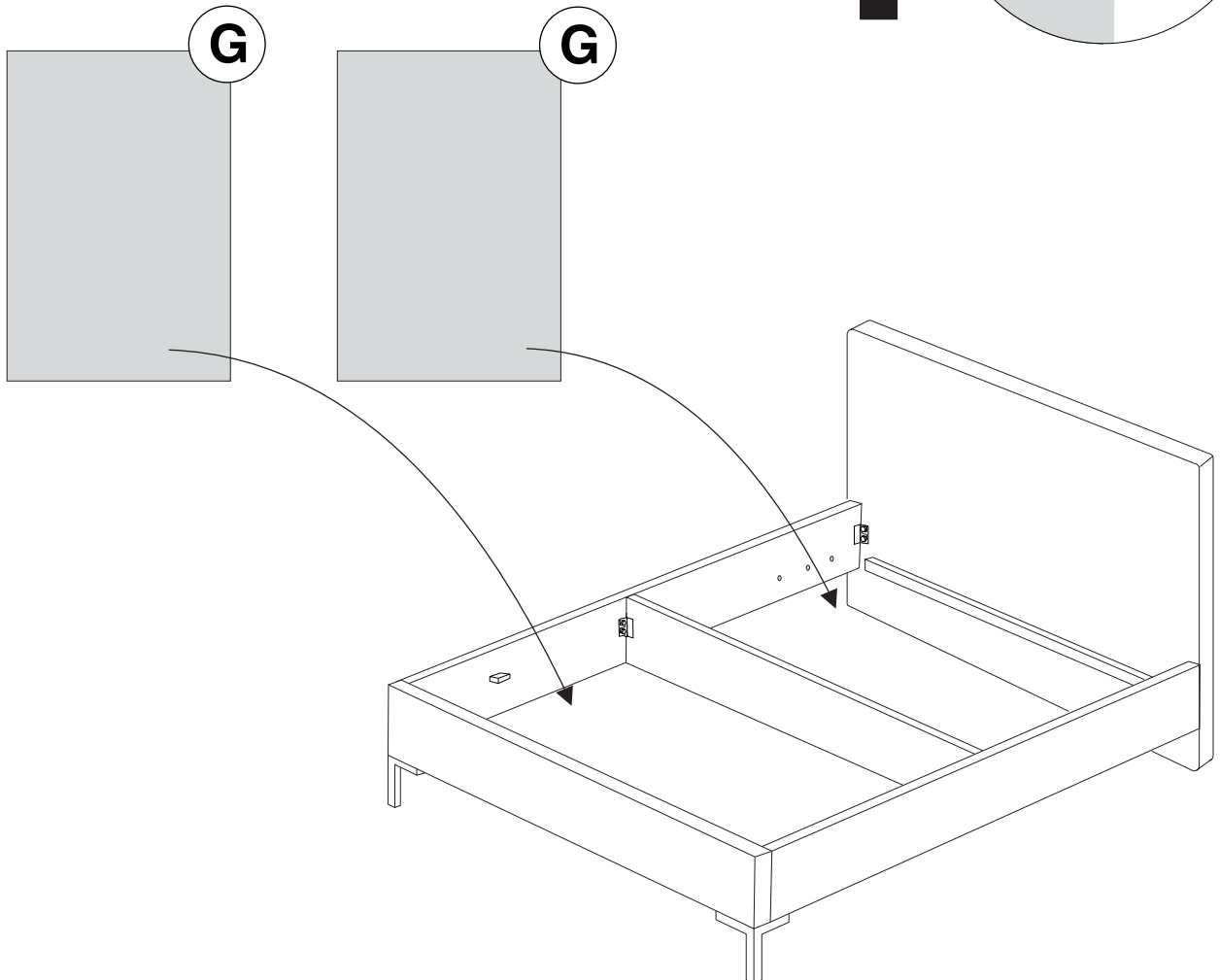


3

Casey  
bed

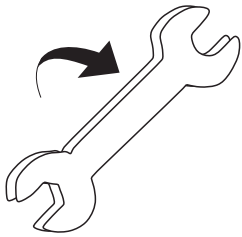
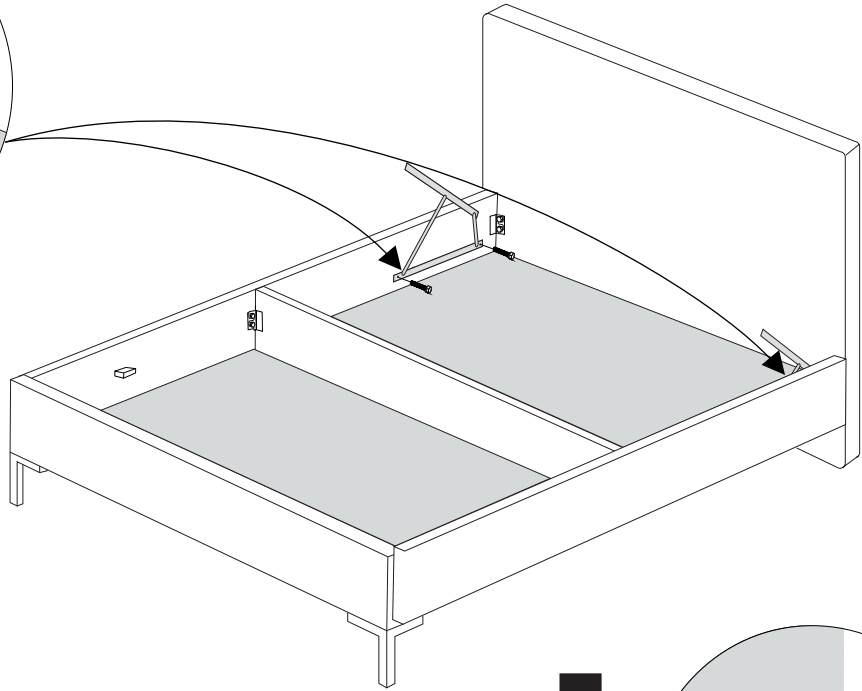
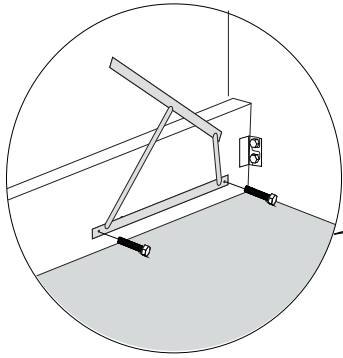


4

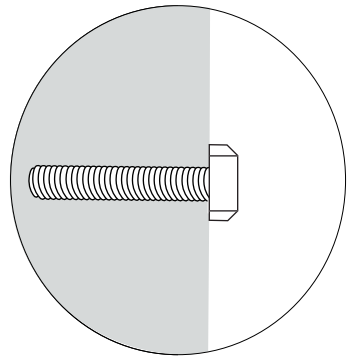


5

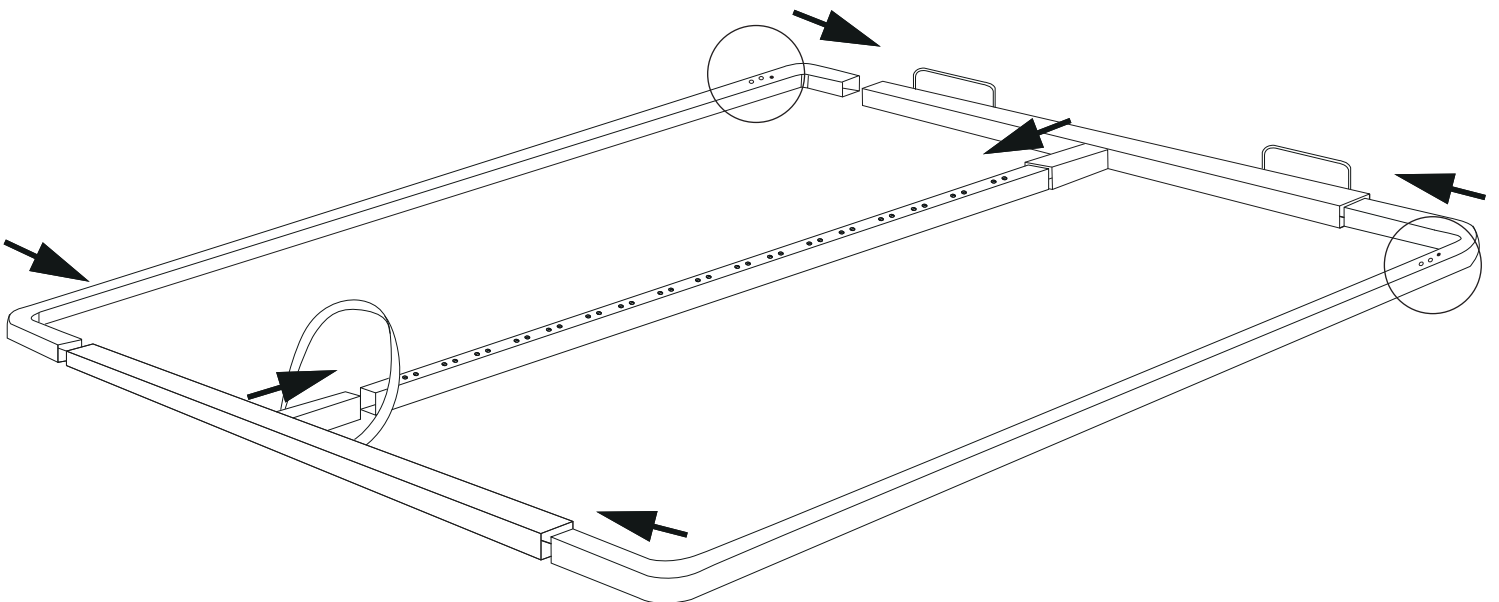
Casey  
bed



\* do not overtighten the screws

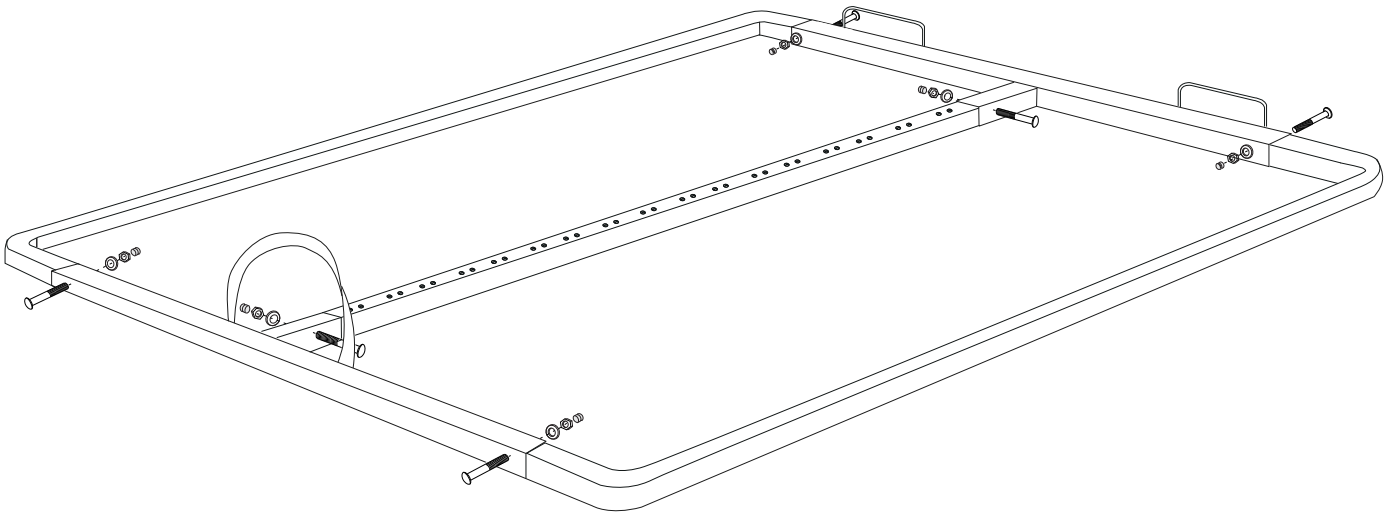


6

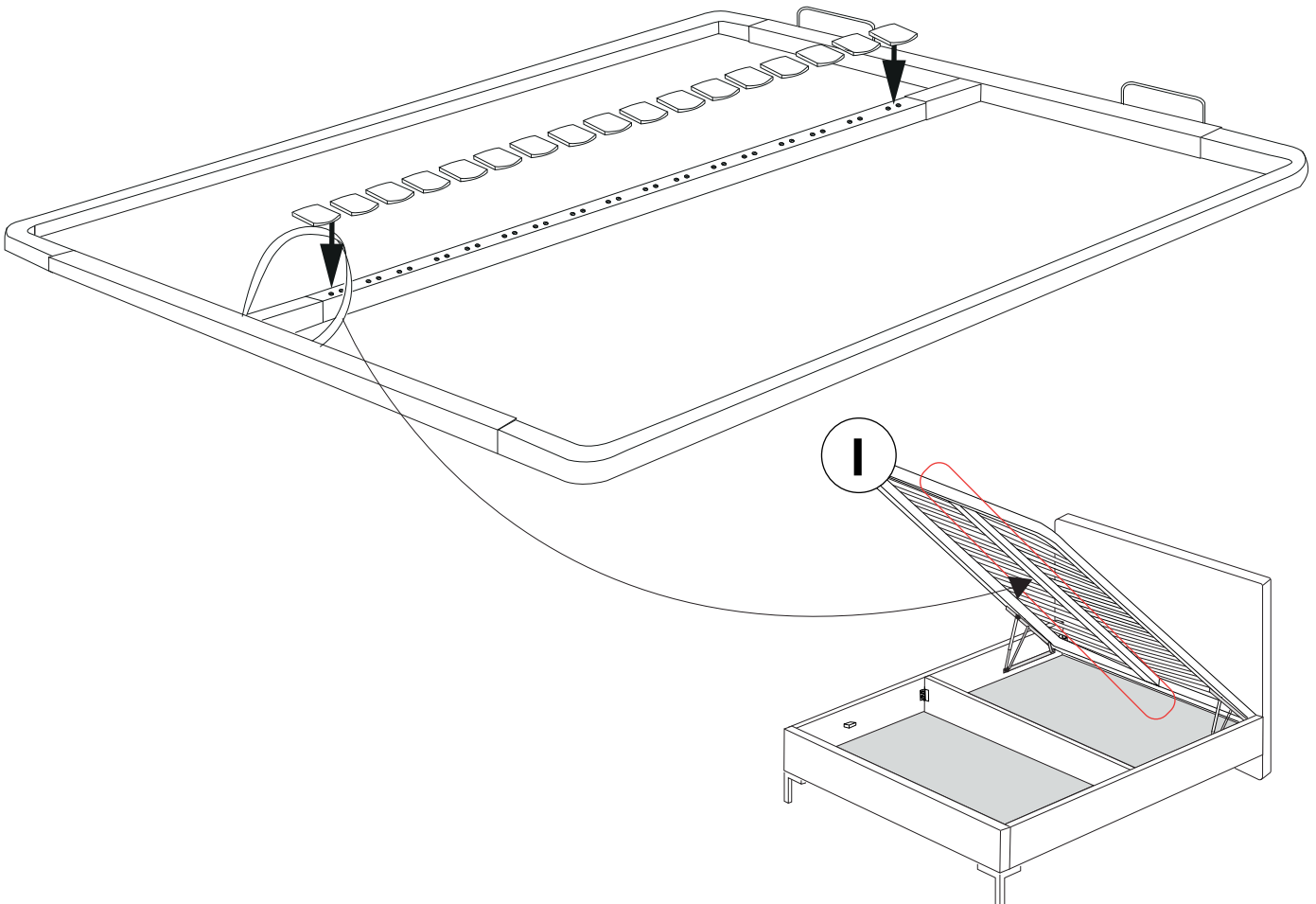


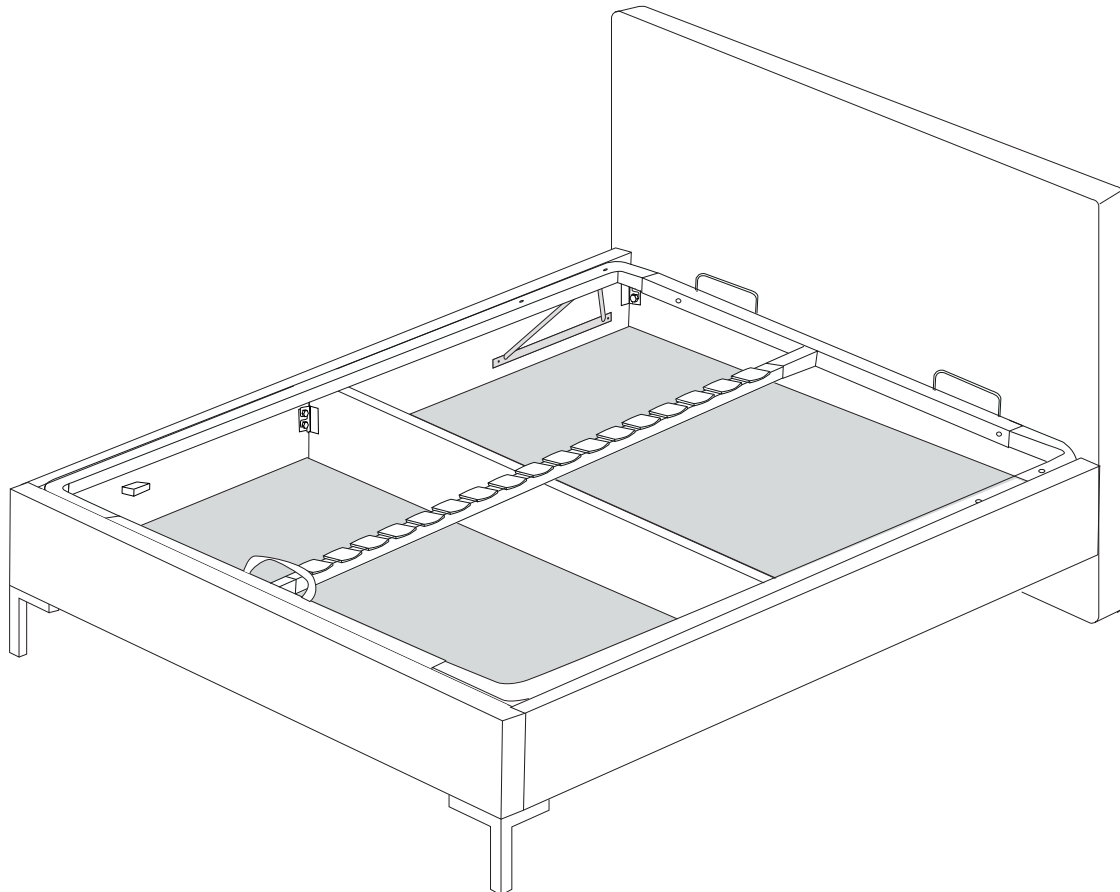
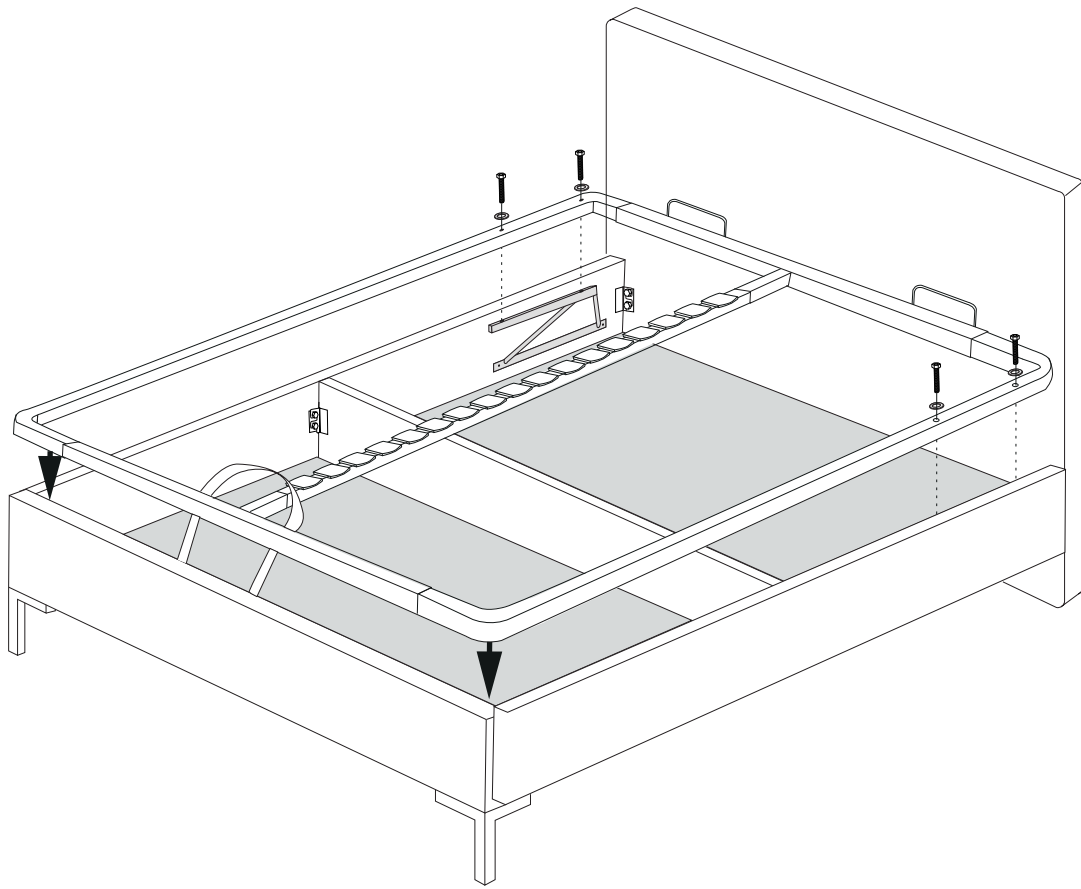
7

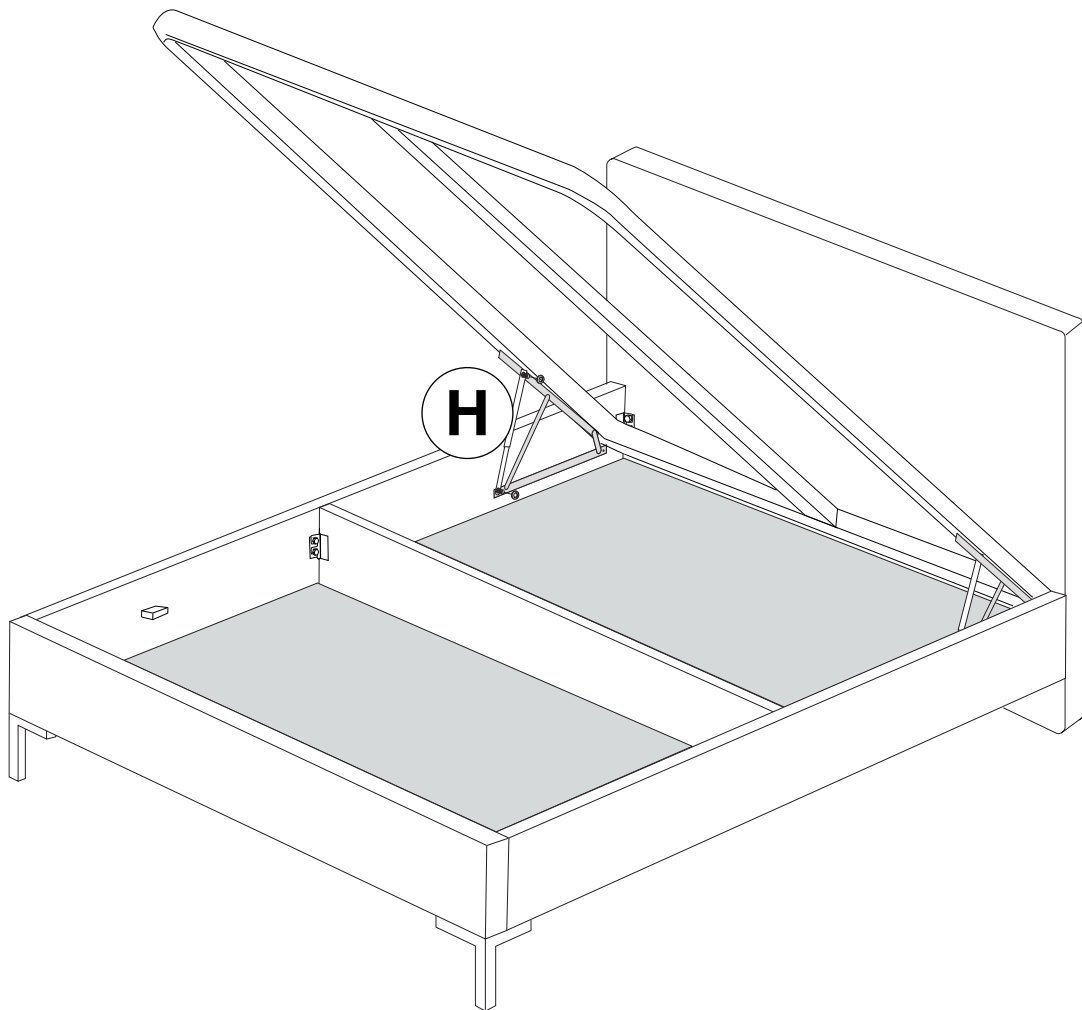
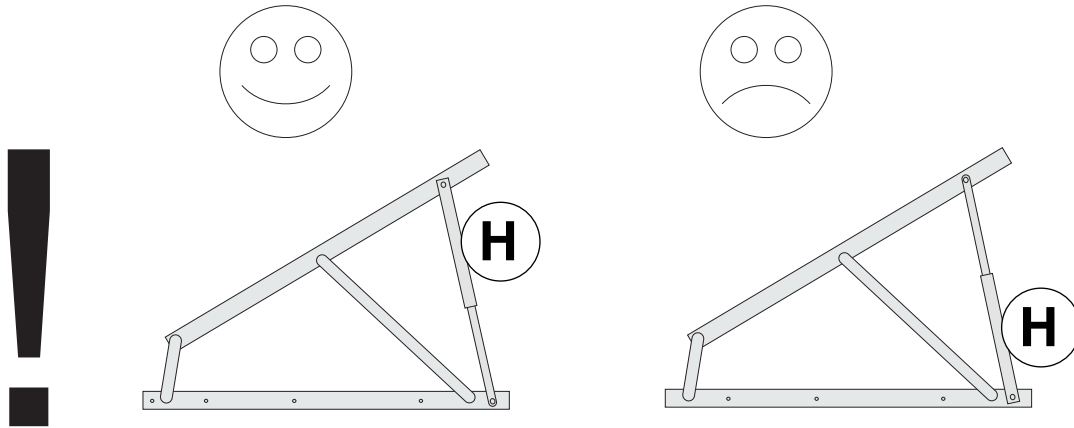
Casey  
bed

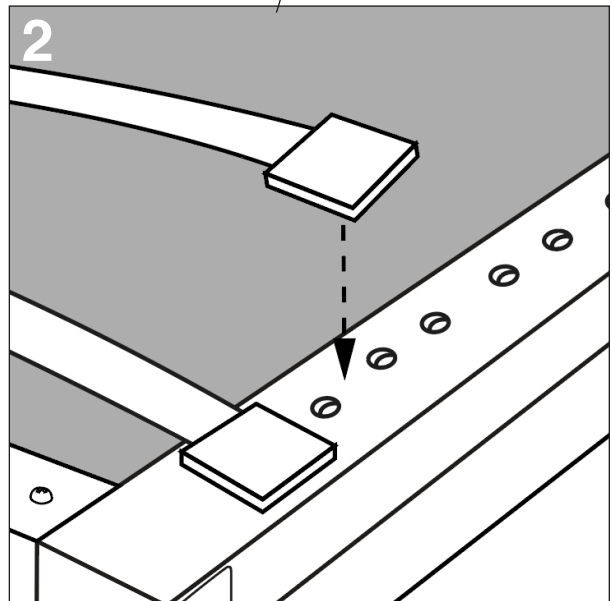
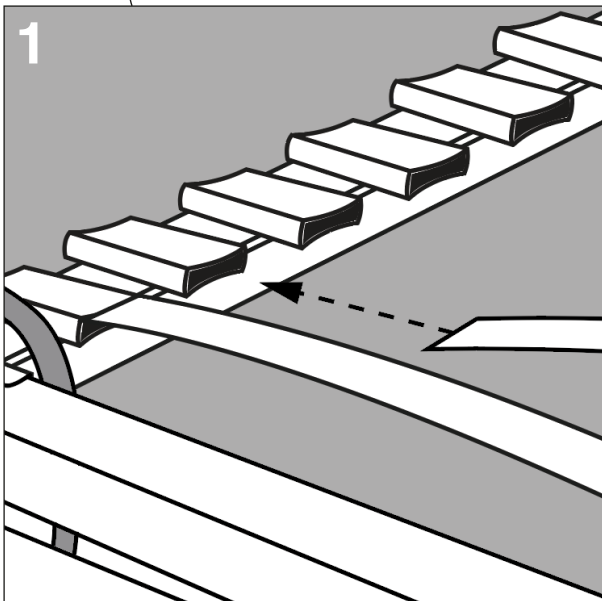
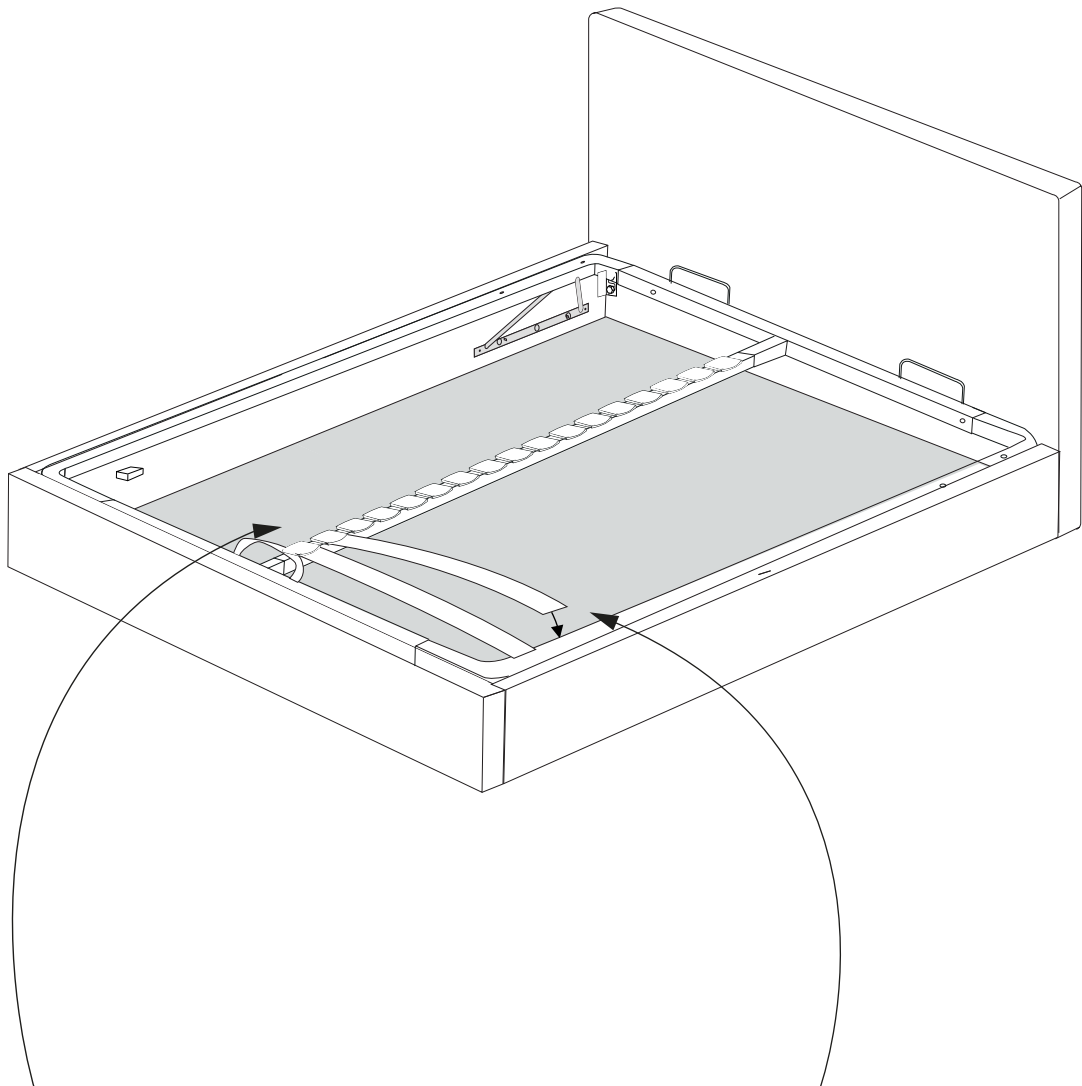


8

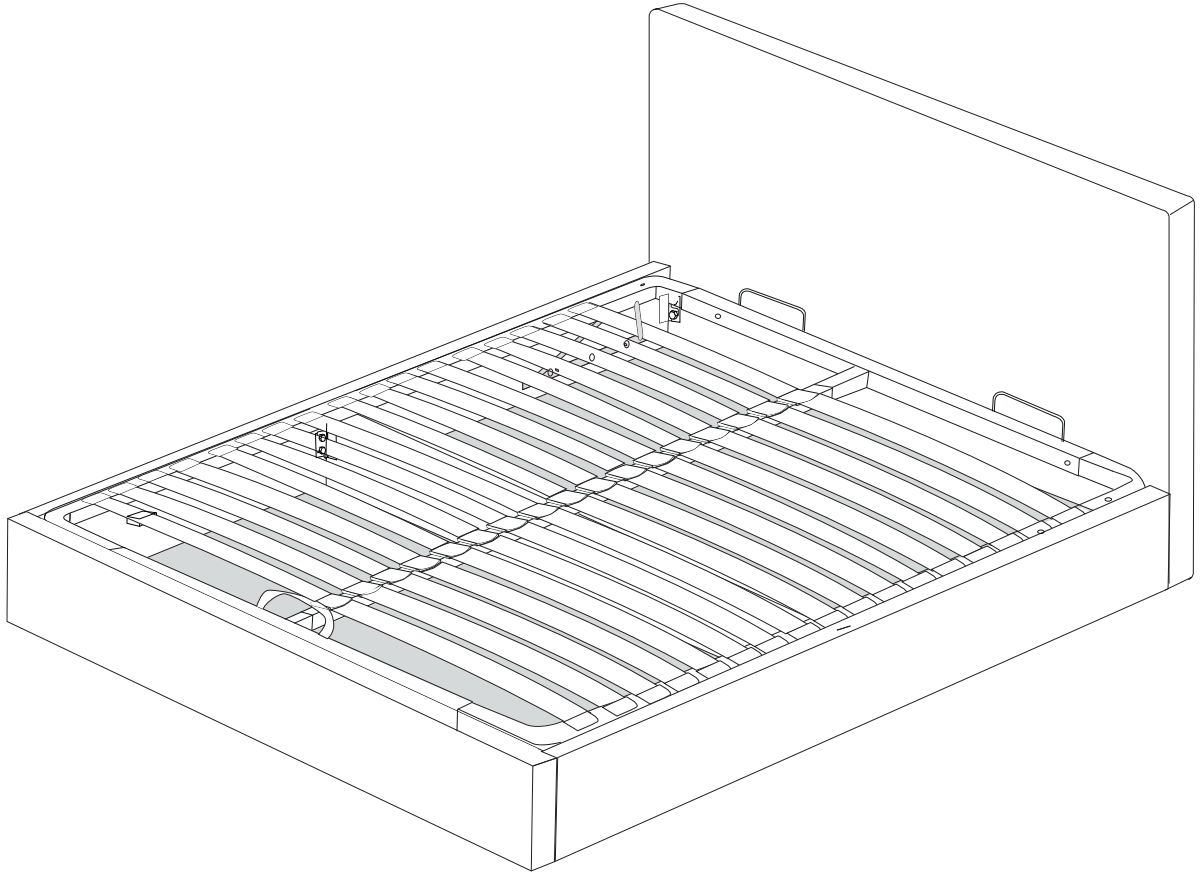






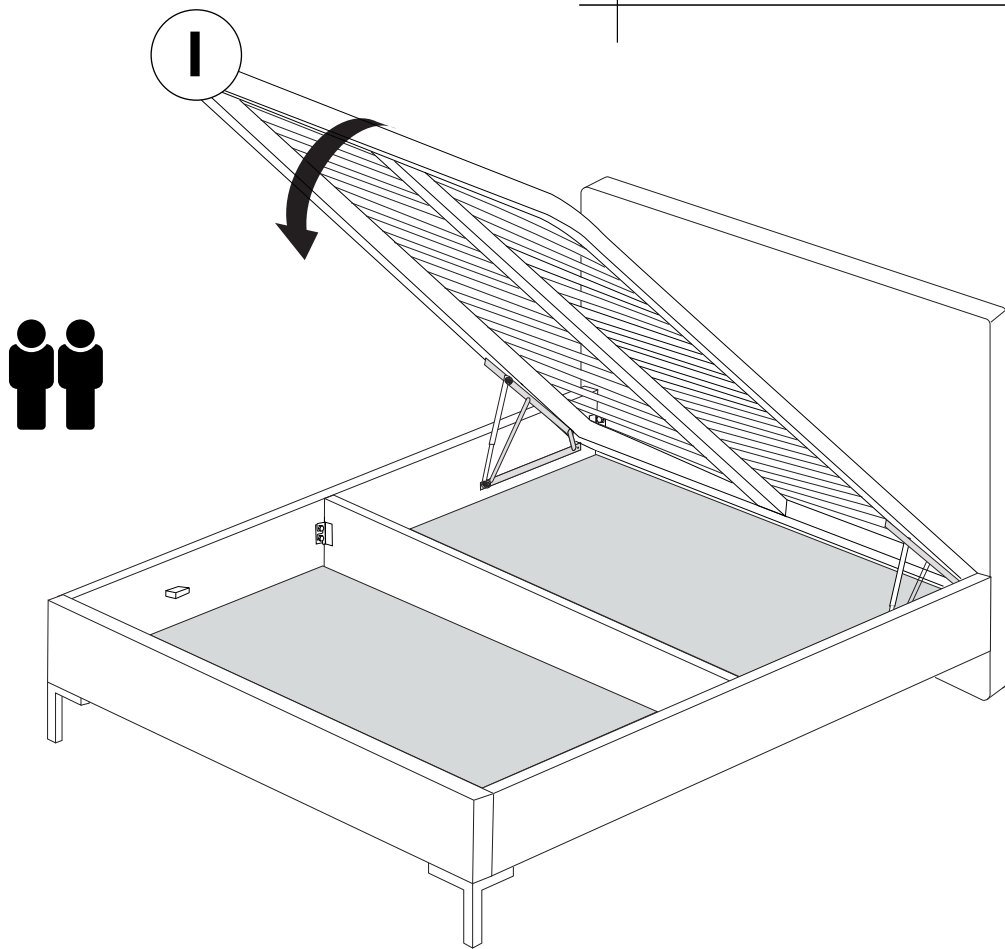






13

Casey  
bed



14

