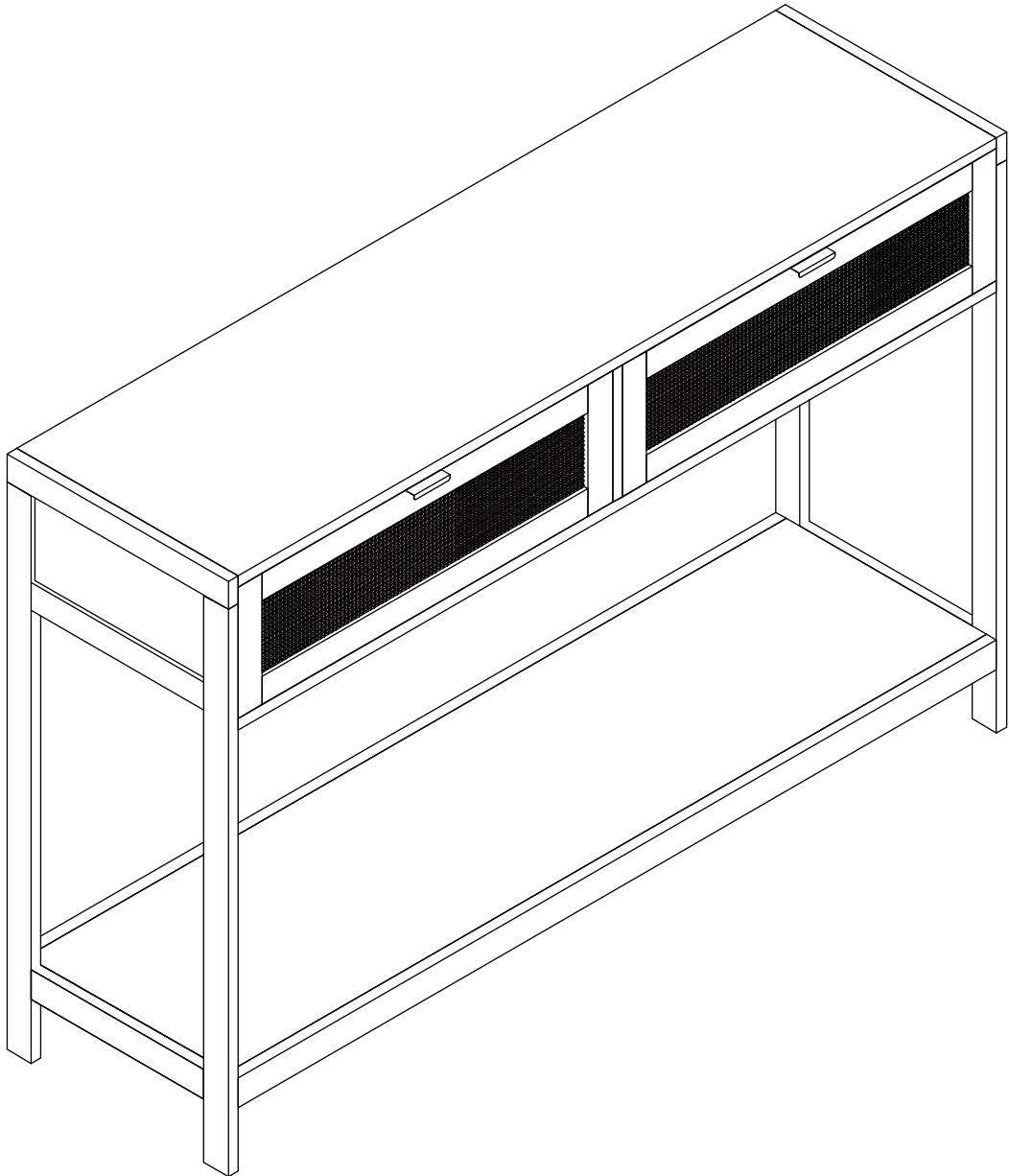
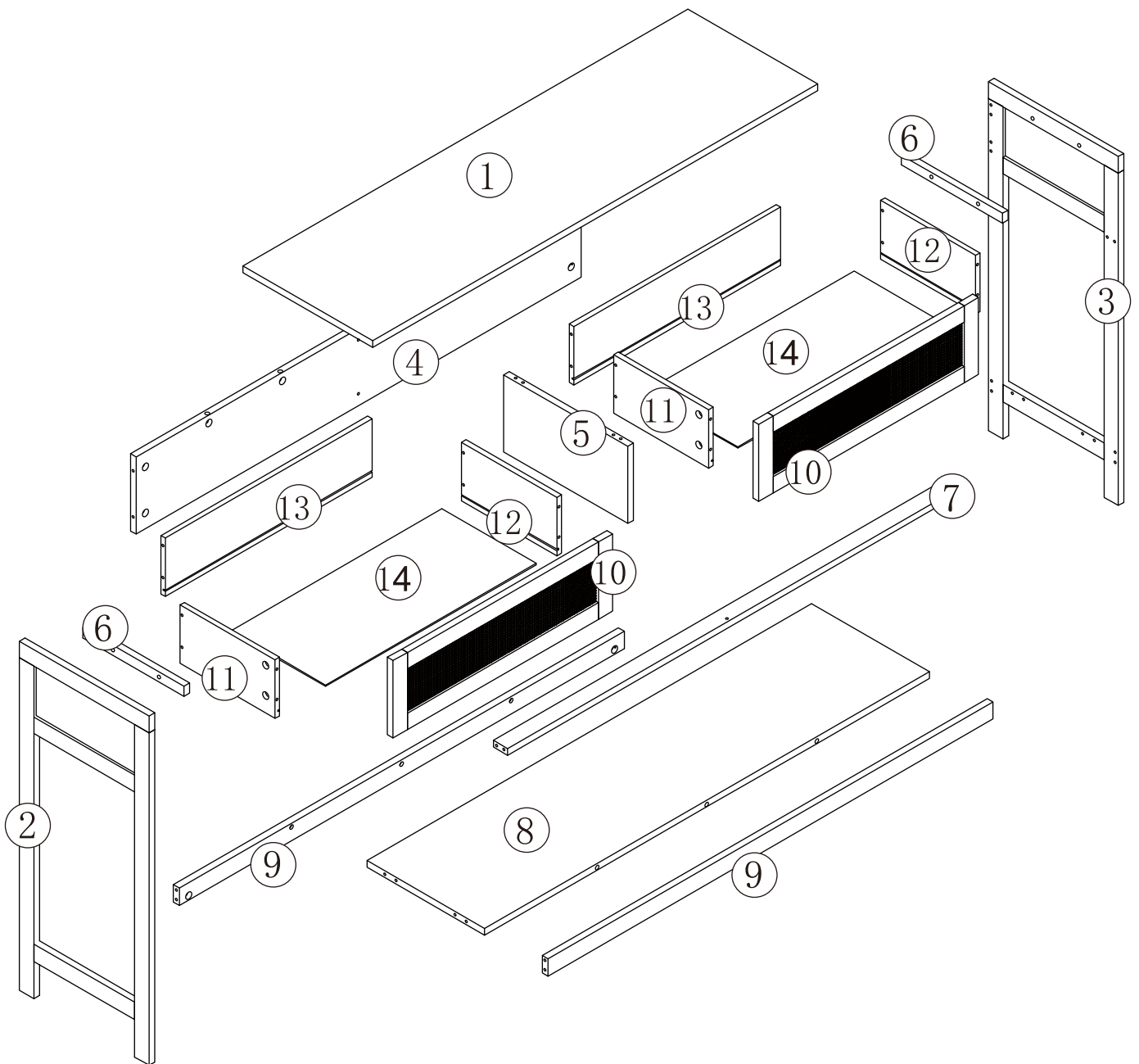



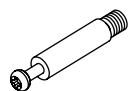
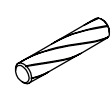
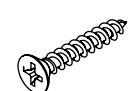
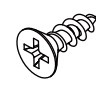
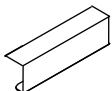
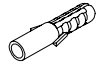
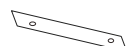




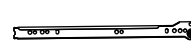
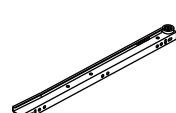
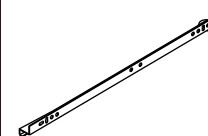
2406554

ASSEMBLY INSTRUCTIONS

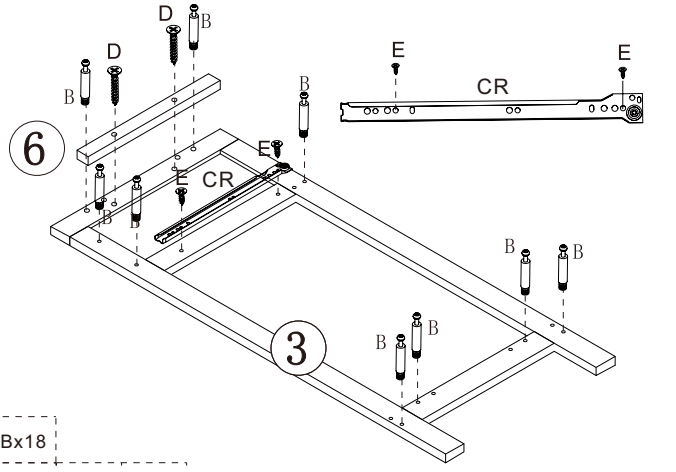
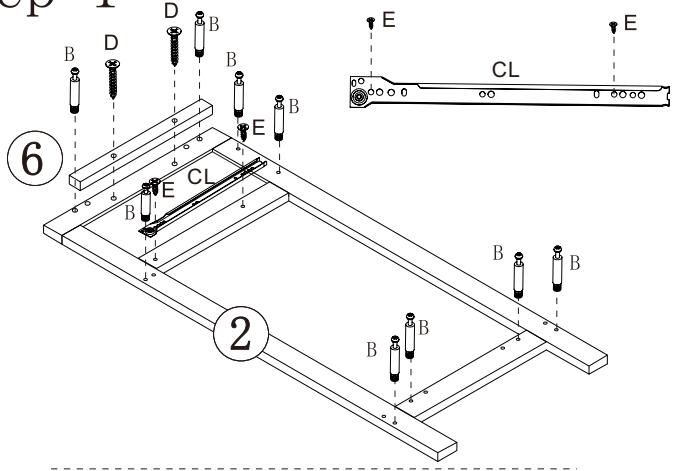
<<Before assembling, read all the instructions>>





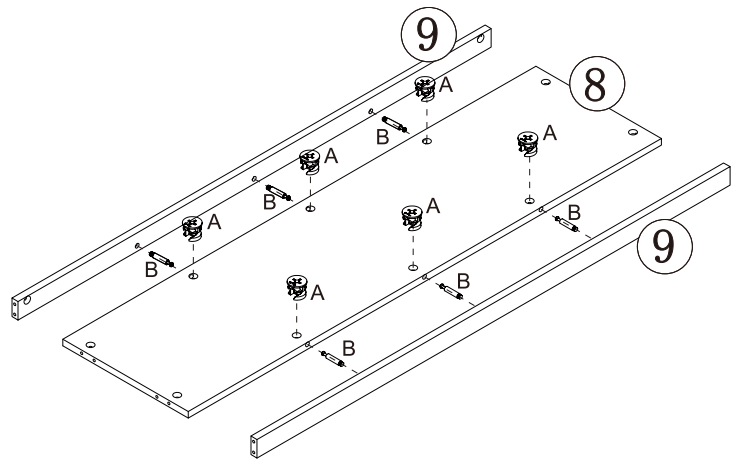
				
Ax36	Bx36	Cx16	Dx15	Ex20
				
Fx2	Gx2	Hx2	Ix2	Jx2
				
Kx4	CLx2	CRx2	DLx2	DRx2

Step 1



- Bx18
 - Dx4
 - Ex4
 - CLx1
 - CRx1
- Fix nine pieces of Hardware B to Part 2&3 respectively
 Connect Part 6 to 2&3 with Hardware D
 Fix Hardware CL to Part 2 with Hardware E
 Fix Hardware CR to Part 3 with Hardware E

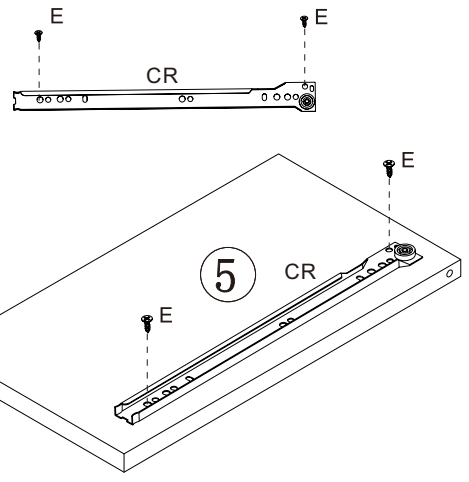
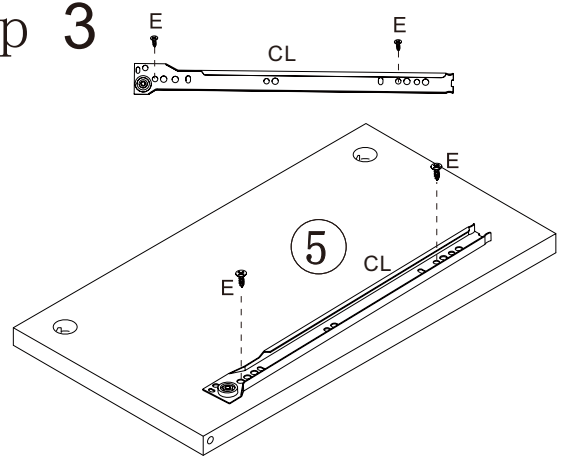
Step 2



Connect two Part 9 to 8 with Hardware A/B

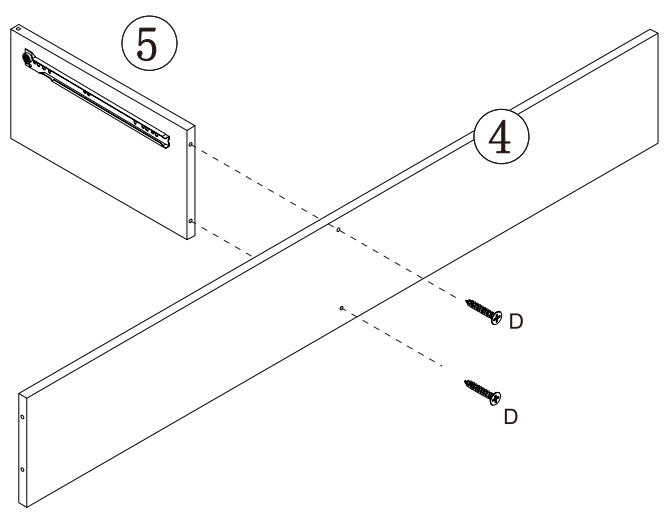
- Ax6
- Bx6

Step 3



- Ex4
 - CLx1
 - CRx1
- Fix Hardware CL/CR to Part 5 with Hardware E

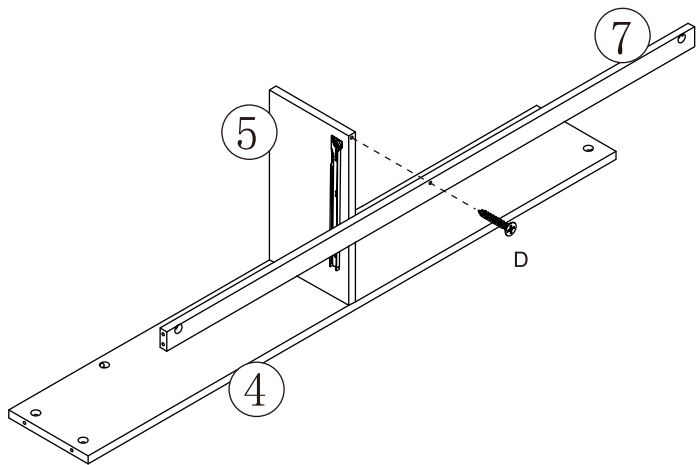
Step 4



Connect Part 5 to 4 with Hardware D

- Dx2

Step 5

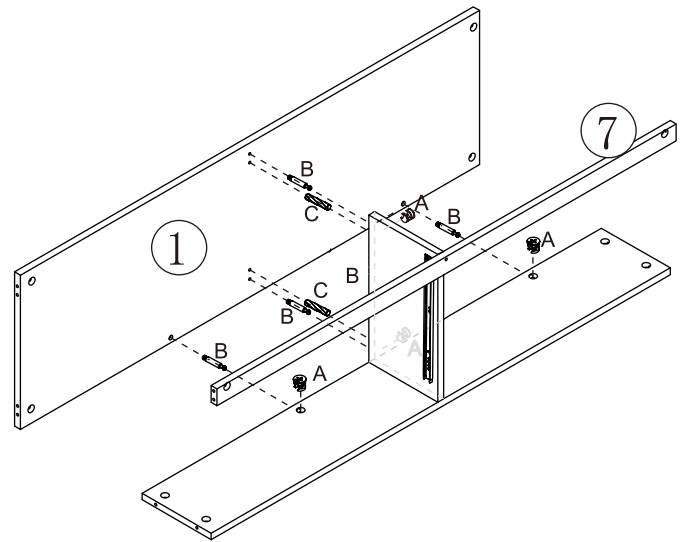


Connect Part 7 to 5 with Hardware D



Dx1

Step 6



Connect Part 1 to 5 with Hardware A/B/C
Connect Part 1 to 4 with Hardware A/B



Ax4

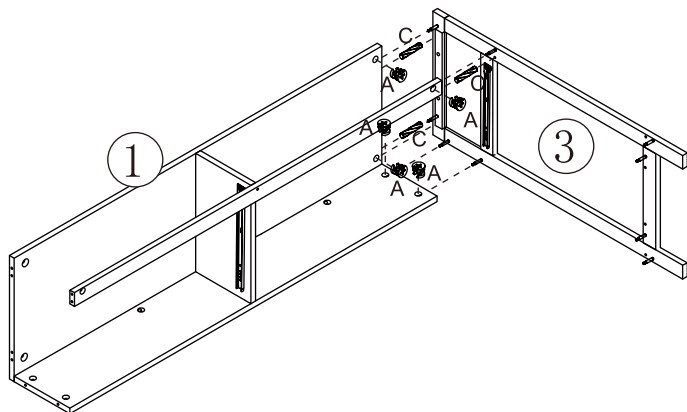


Bx4



Cx2

Step 7



Connect Part 3 to 1/4/7 with five pieces of Hardware A and three pieces of C

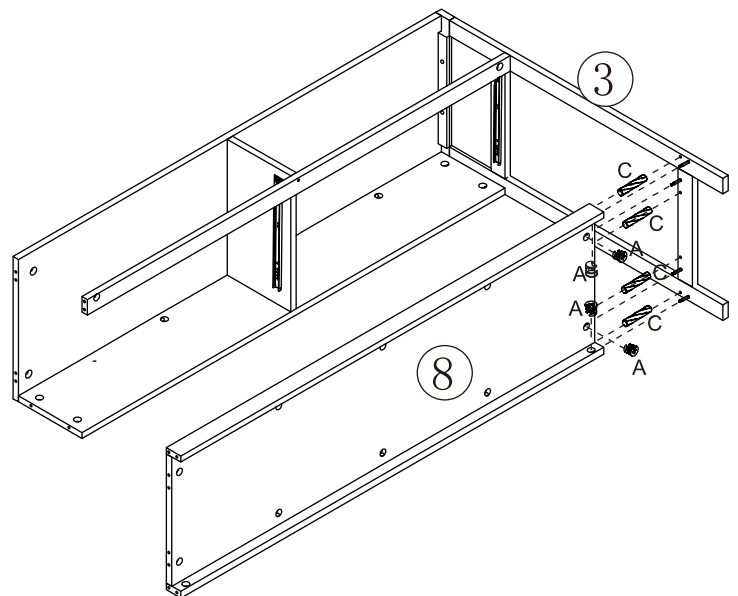


Ax5



Cx3

Step 8



Connect Part 8 to 3 with Hardware A/C

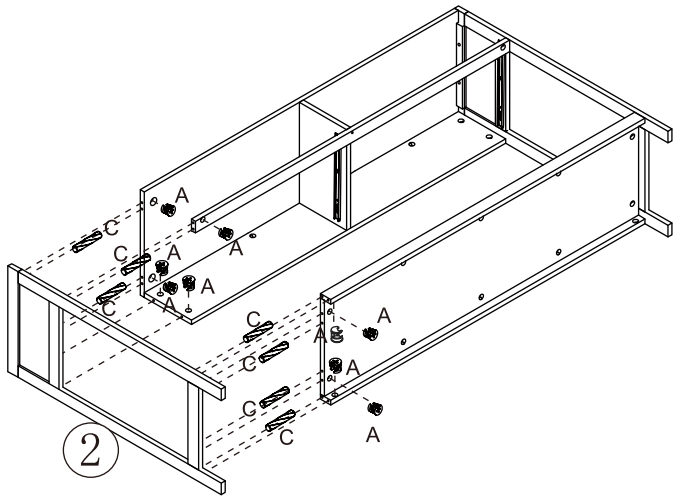


Ax4





Cx4

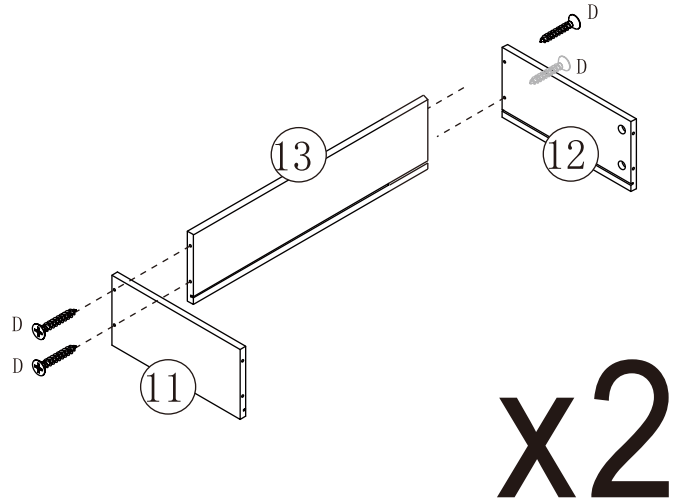
Step 9




Connect Part 2 to 1&4&7&8 with nine pieces of Hardware A and seven pieces of C

-  Ax9
-  Cx7

Step 10

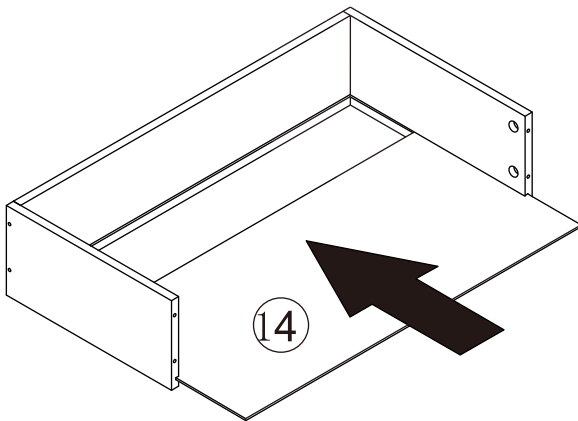


Connect Part 13 to 11&12 with Hardware D

-  Dx8

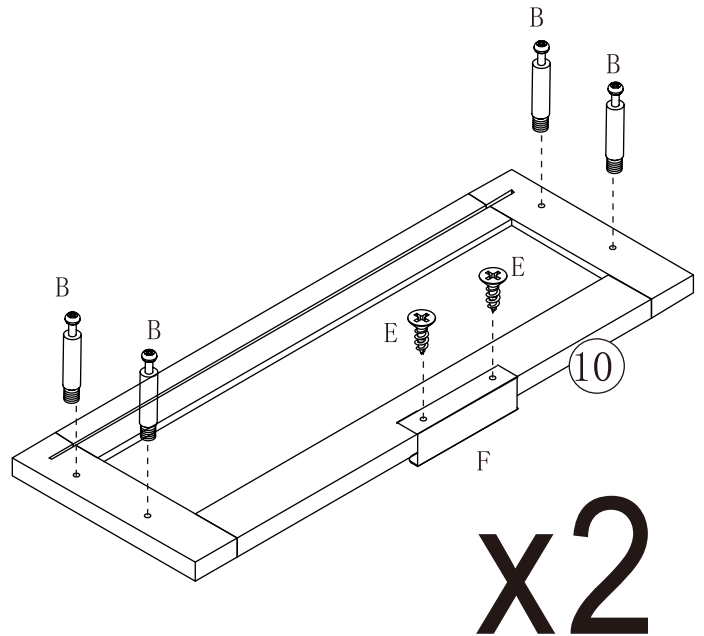
Step 11

x2


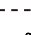
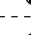


Slide Part 14 along the slots of 11&12&13

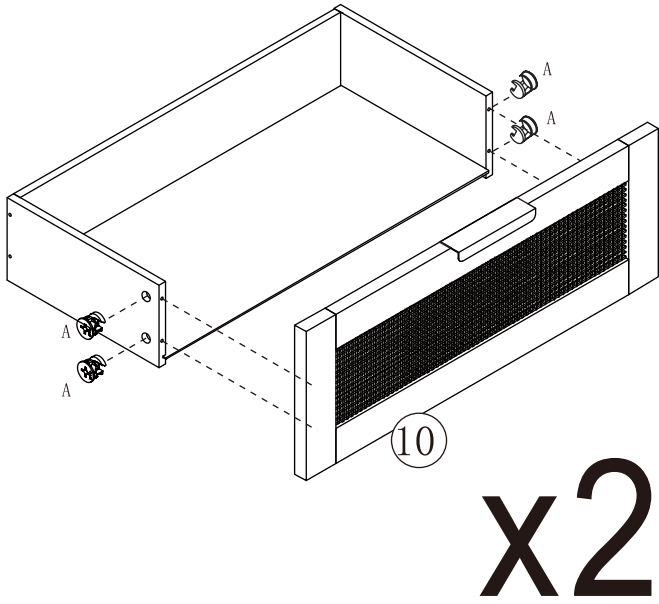
Step 12



Fix Hardware B to Part 10
Fix Hardware F to Part 10 with Hardware E

-  Bx8
-  Ex4
-  Fx2

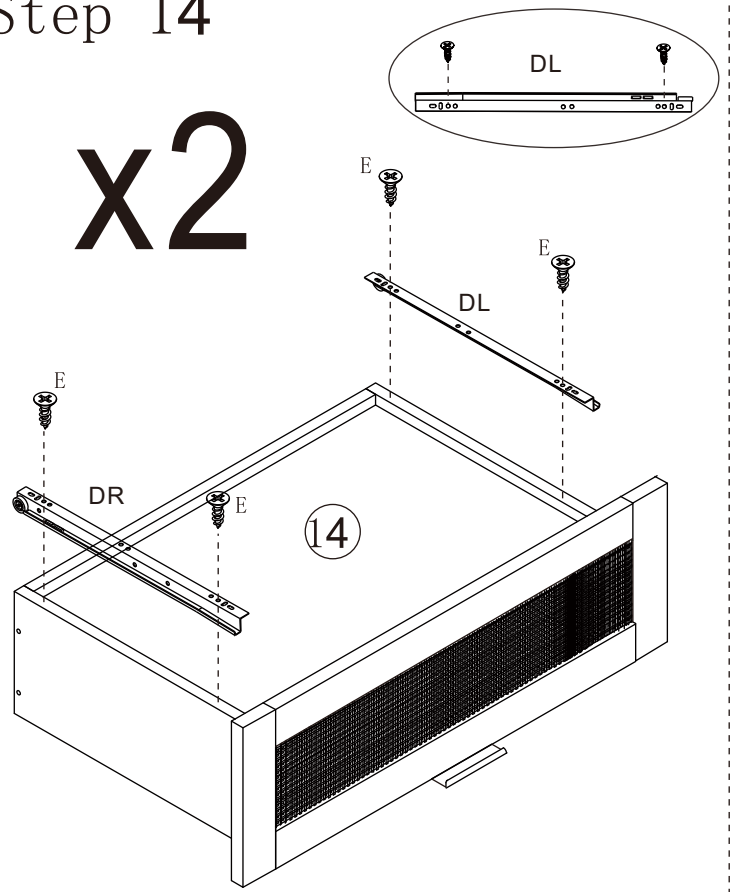
Step 13



Lock Part 10 to 11&12 with Hardware A

Ax8

Step 14



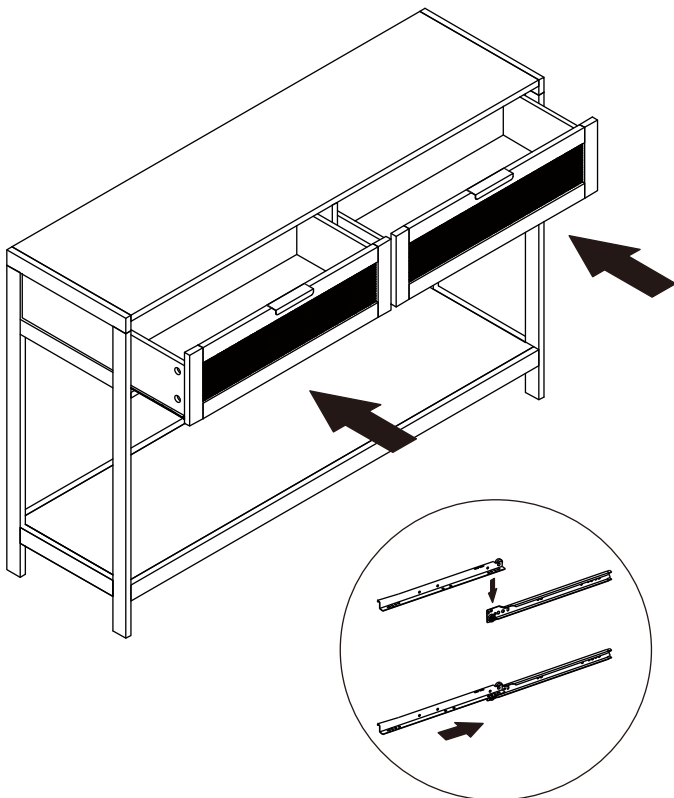
Turn the drawer upside down
Fix Hardware DR to Part 12 with
Hardware E
Fix Hardware DL to Part 11 with
Hardware E

Ex8

DLx2

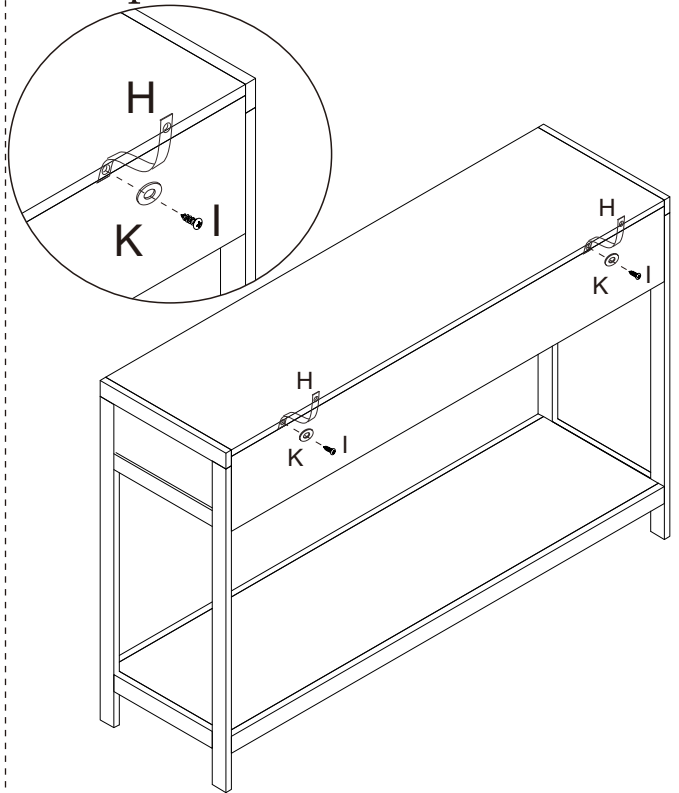
DRx2

Step 15



Push assembled drawers into
console table along the drawer track

Step 16



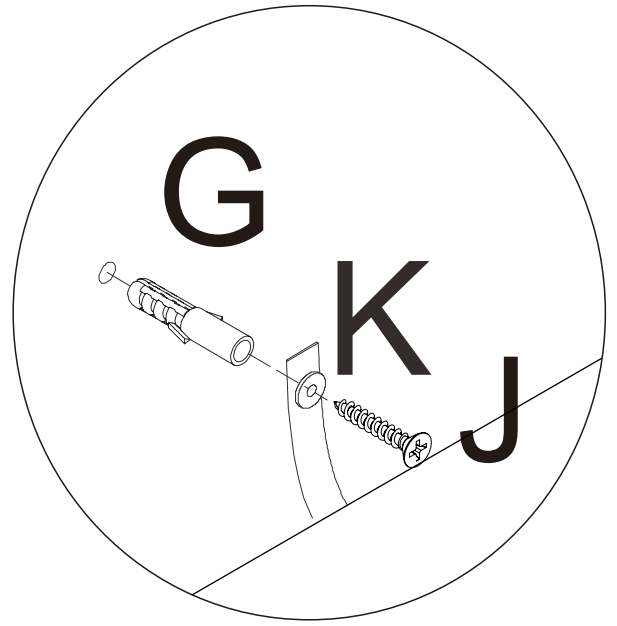
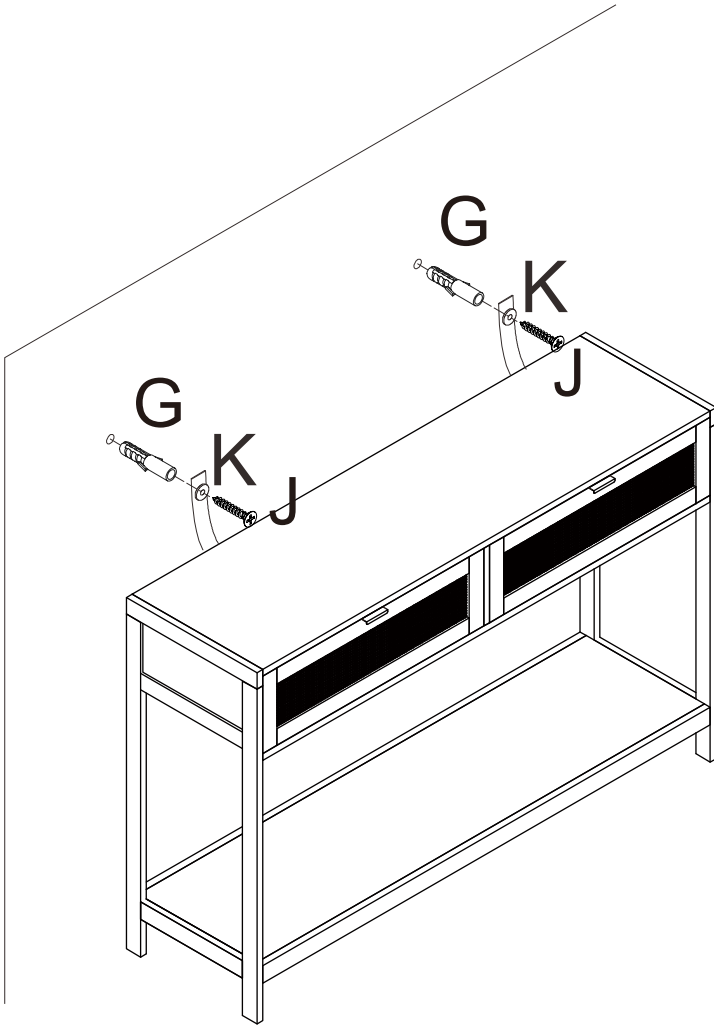
Fix Hardware H to Part 1 with
Hardware K/I

Kx2

Hx2

Ix2

Step 17



Lock console table to the wall with Hardware G/J/K

SAFETY NOTICE

PREVENT FURNITURE TIP OVER ACCIDENTS

Free Standing Furniture above 600mm in height must be securely attached to the wall to prevent it from tipping over and causing injury.

Please Use the anti-tip restraint provided




One end of this restraint must be secured to the cabinet with the screw(s) provided in the fittings pack.

The other end of the restraint must be attached to the wall with hardware appropriate for that wall type.

Never put a TV or other heavy objects on top of a chest of drawers or any furniture not intended for use with a TV.

Place heavy objects in the lowest drawers or shelves

Never let children climb or hang on drawers, doors or shelves

	Gx2
	Jx2
	Kx2