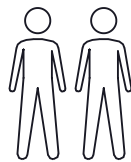
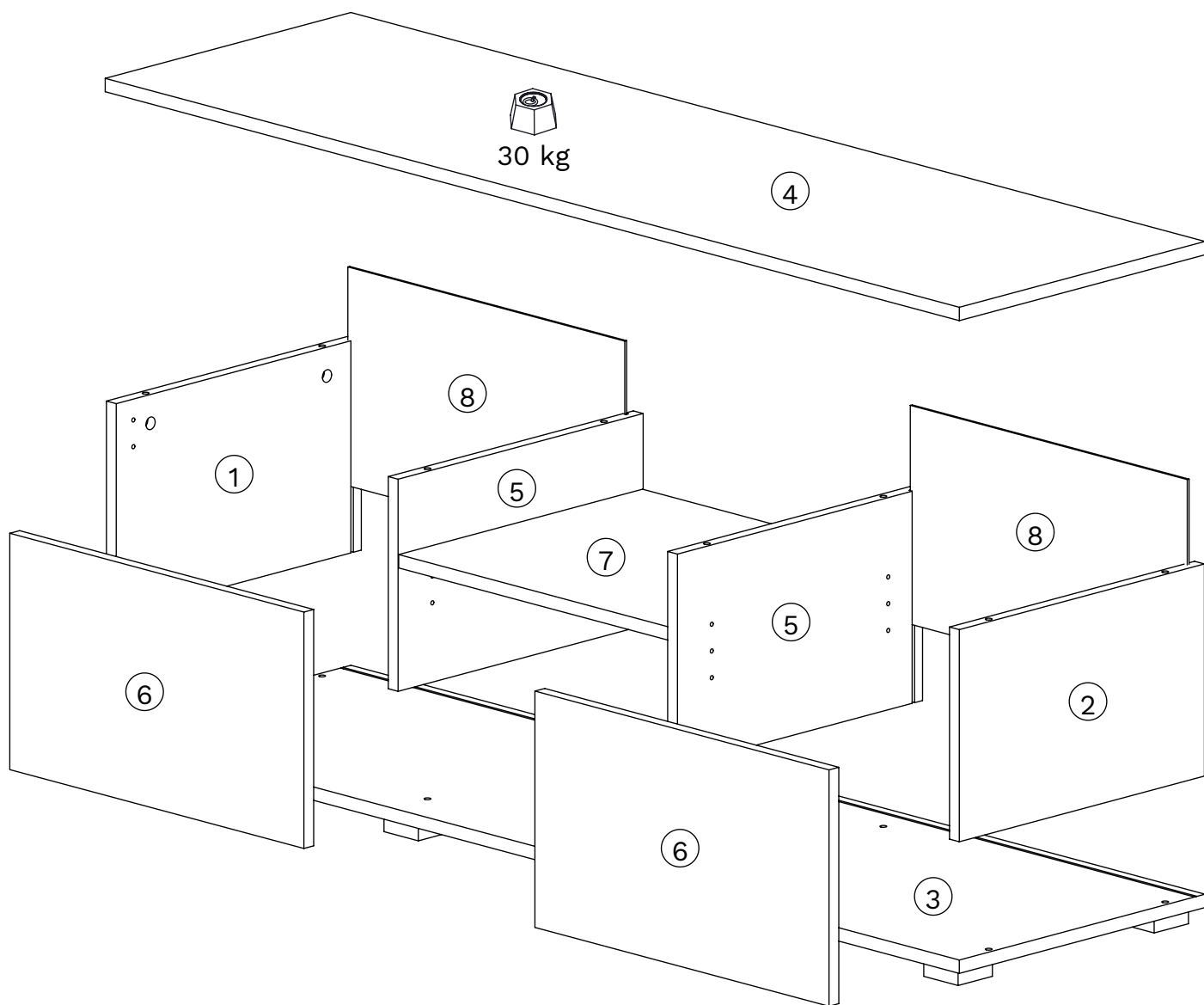



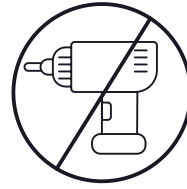
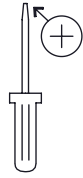
1:00



x 2



○	x	mm	
1	1	254 x 400 x 16	1
2	1	254 x 400 x 16	1
3	1	1394 x 401 x 16	1
4	1	1394 x 401 x 16	1
5	2	254 x 400 x 16	1
6	2	480 x 283 x 16	1
7	1	440 x 398 x 16	1
8	2	452 x 262 x 3	1



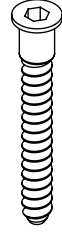
AA x4



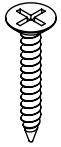
BA x4



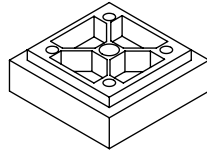
DA x8



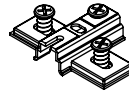
Ø6,3x50mm
CA x4



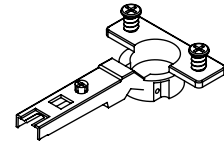
Ø4x30mm
ID x32



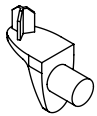
RP x8



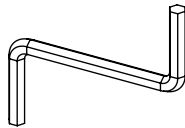
KL x4



KA x4



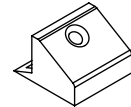
DDB x4



CLE x1



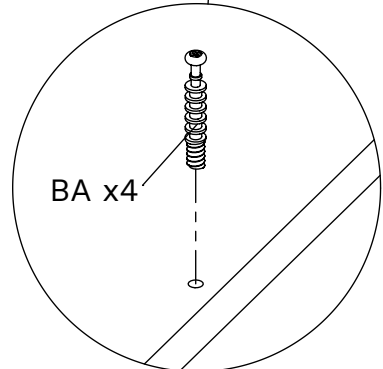
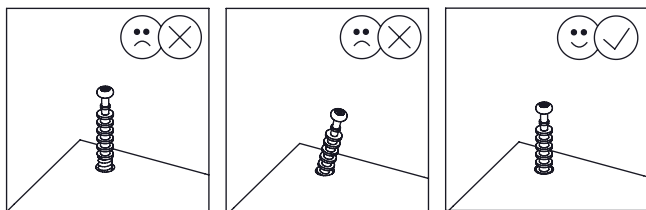
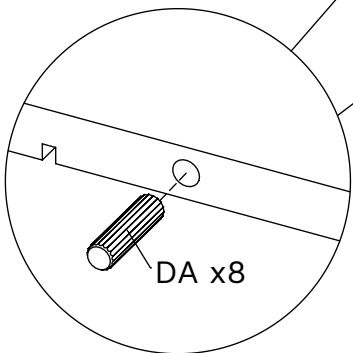
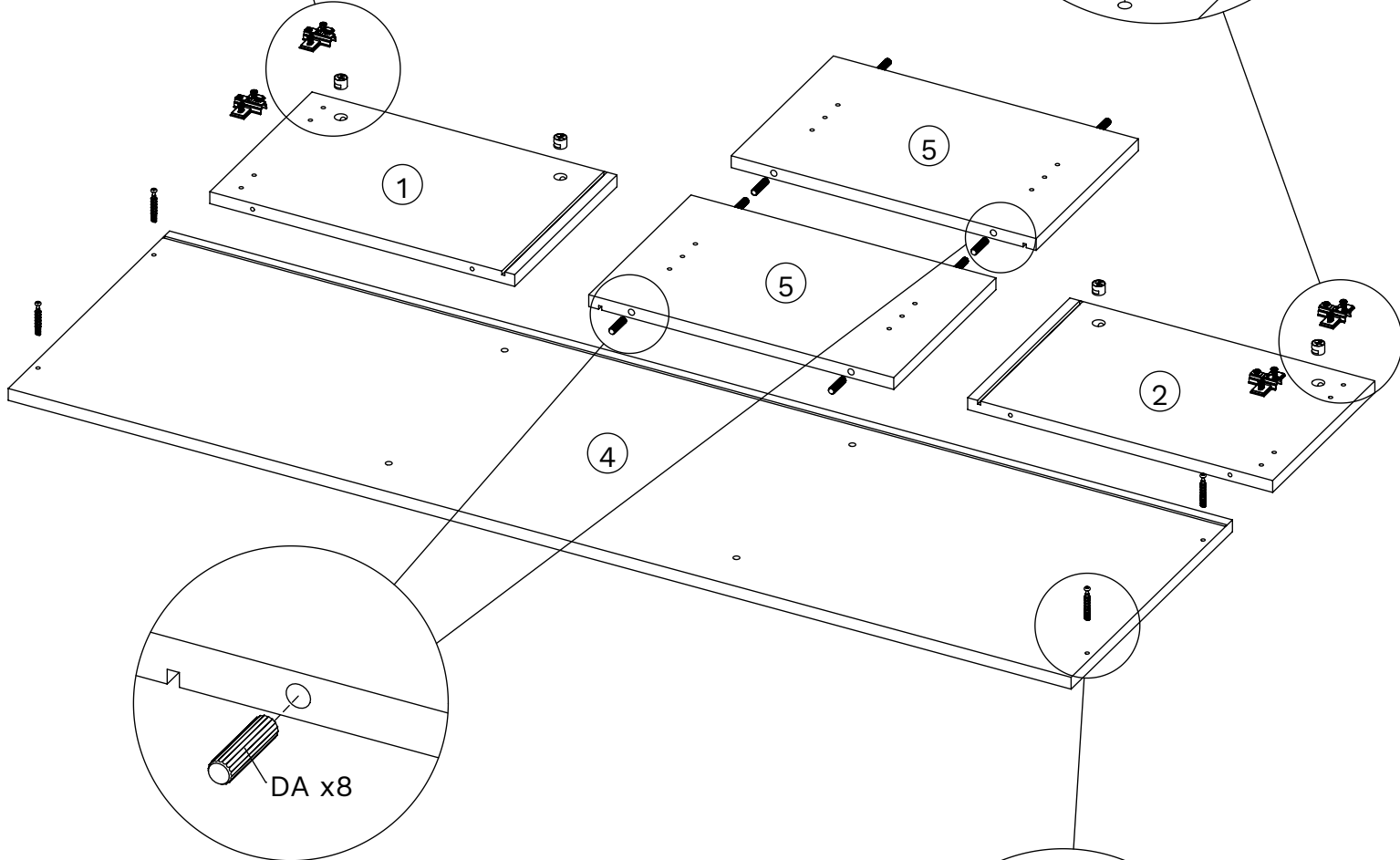
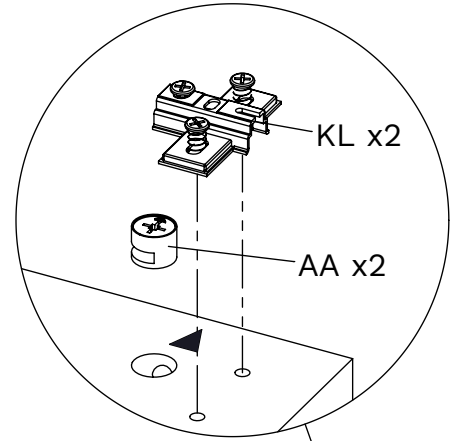
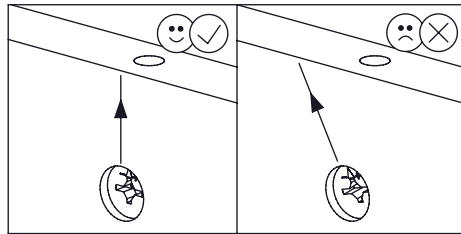
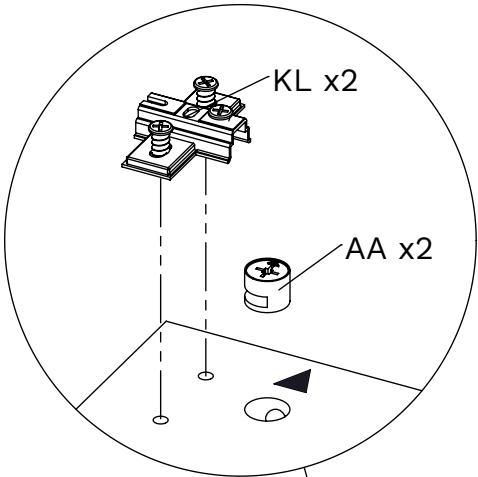
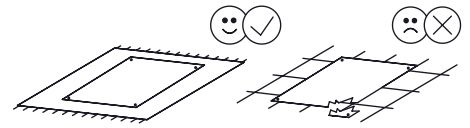
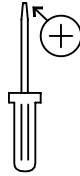
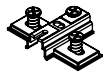
Ø3x20mm
GB x8



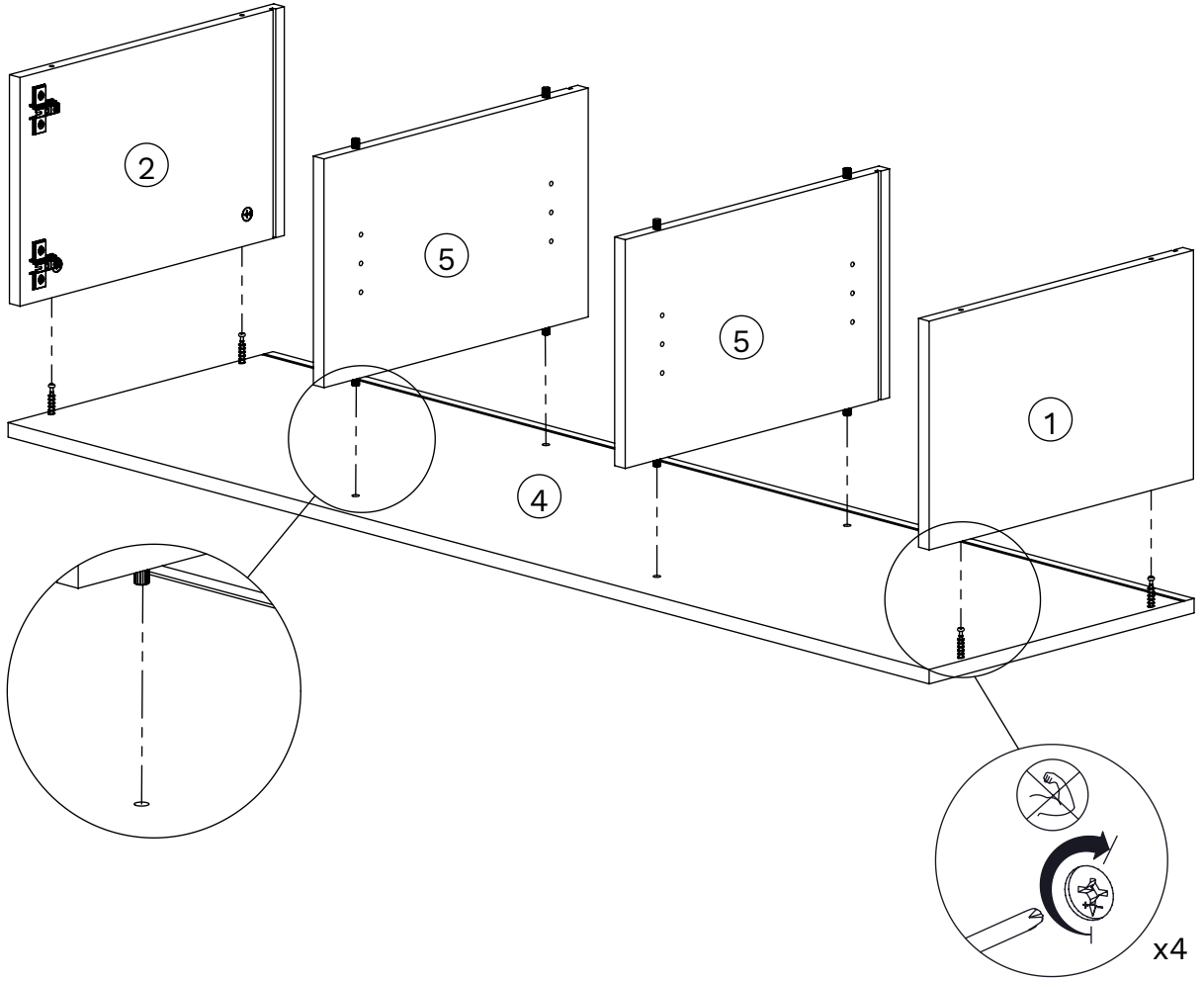
OB x8

1

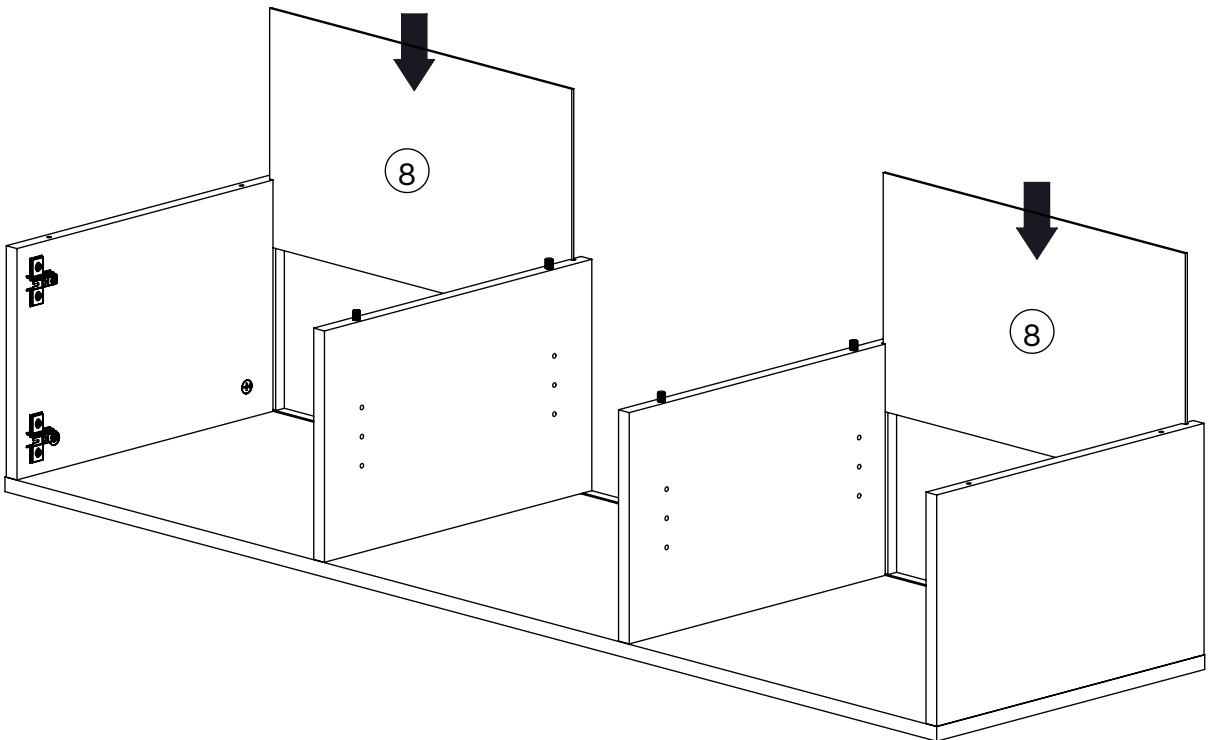
AA x4	BA x4	KL x4	DA x8
-------	-------	-------	-------



2

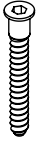


3

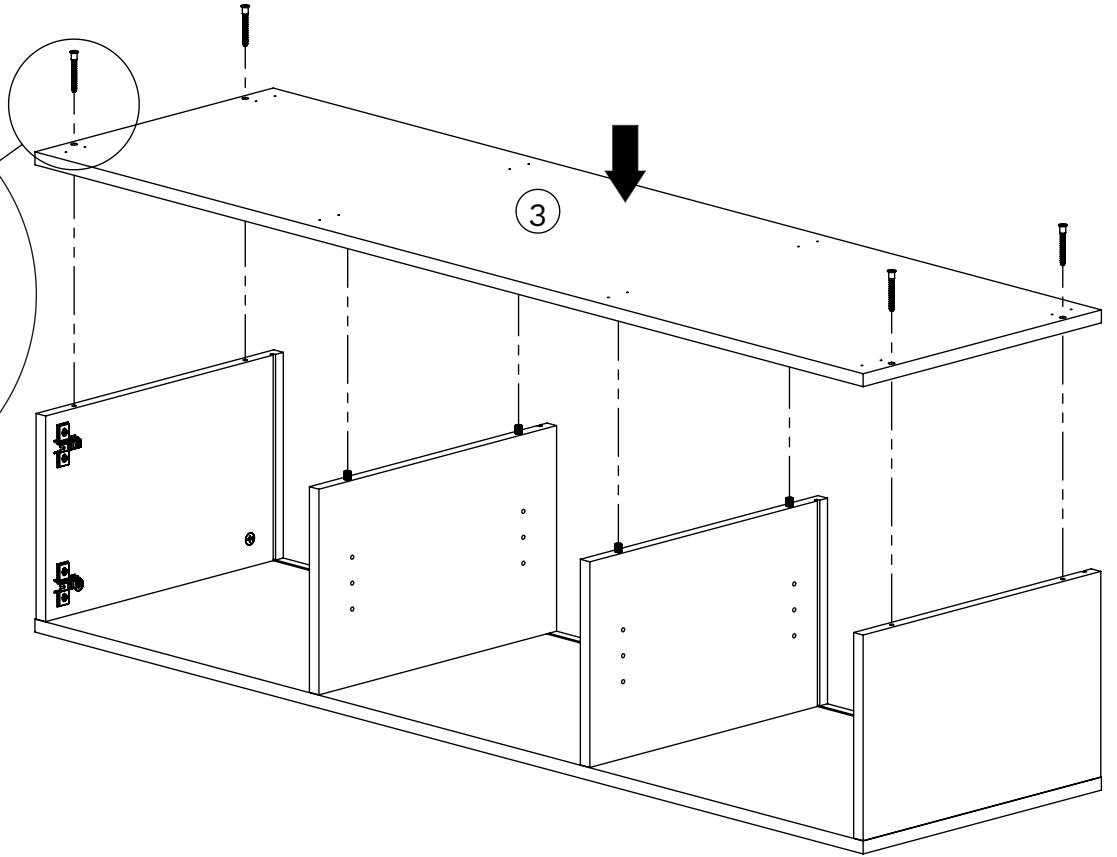
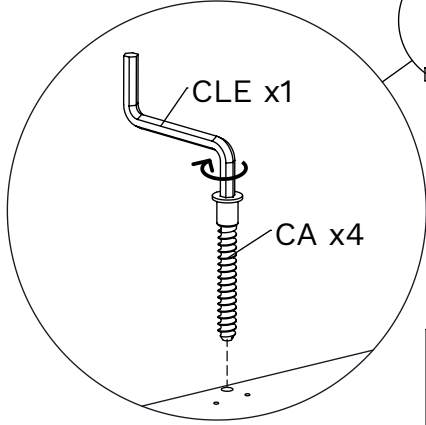
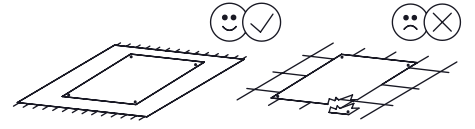


4

CA x4



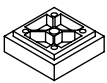
Ø6,3x50mm



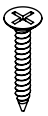
3

5

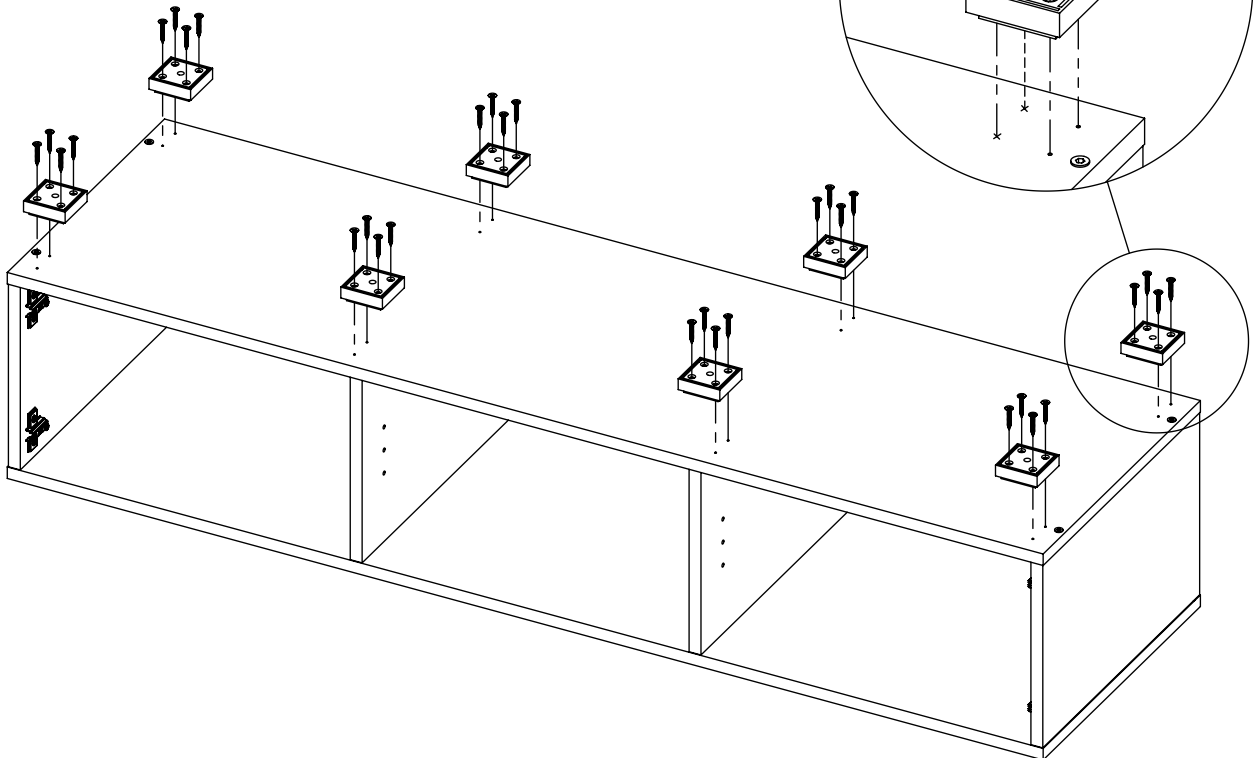
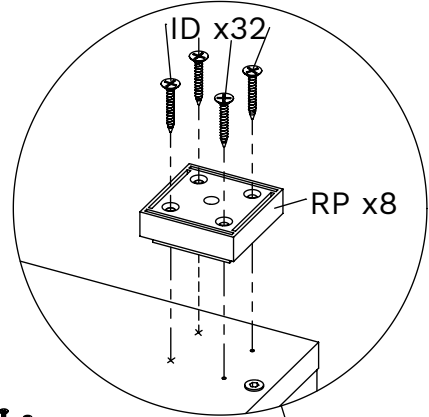
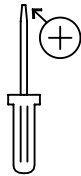
RP x8



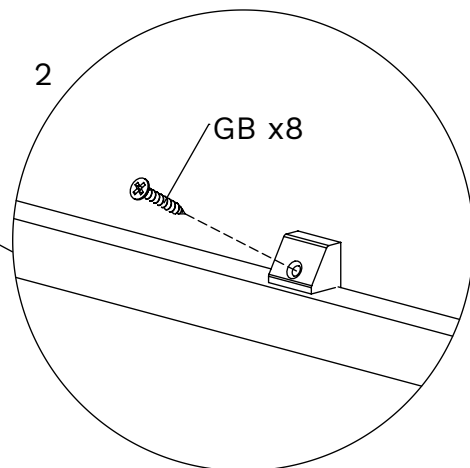
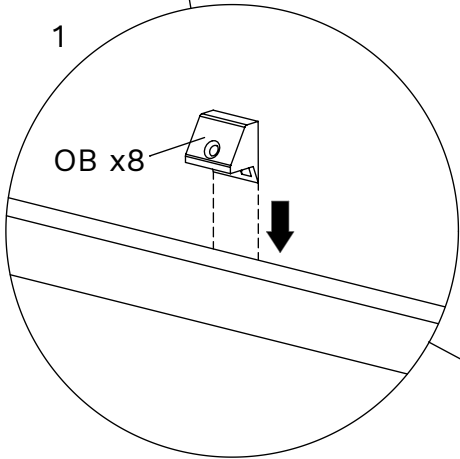
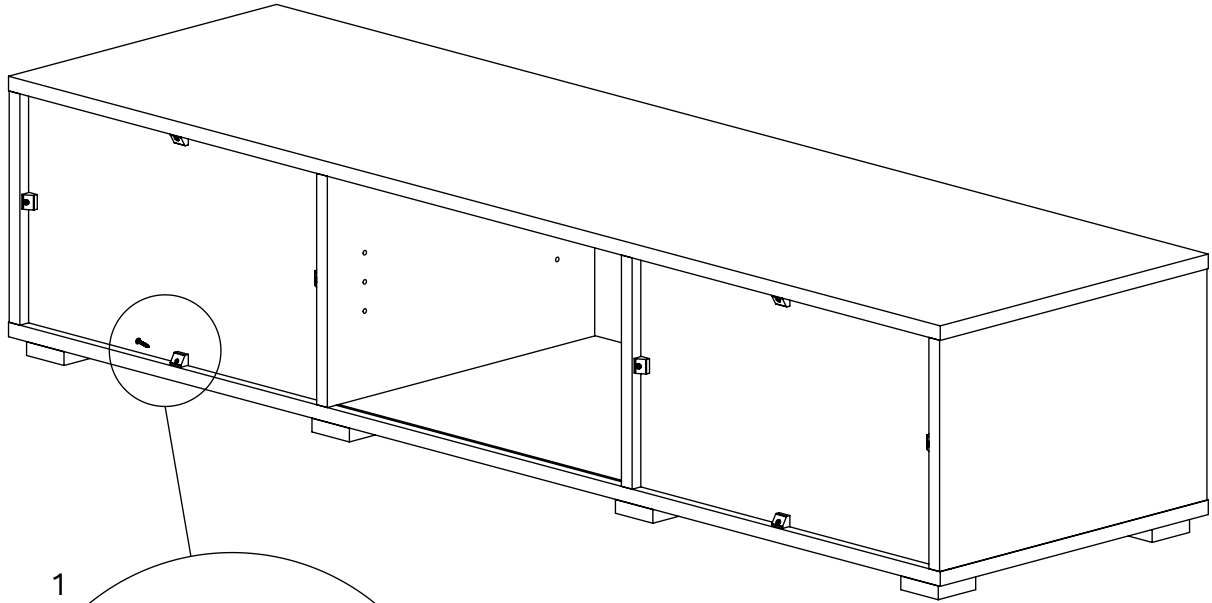
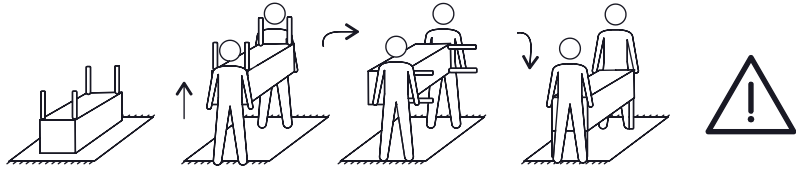
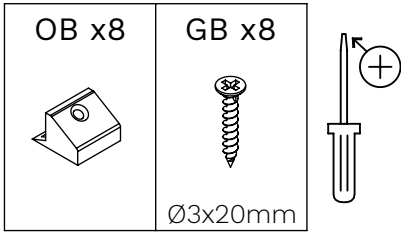
ID x32



Ø4x30mm

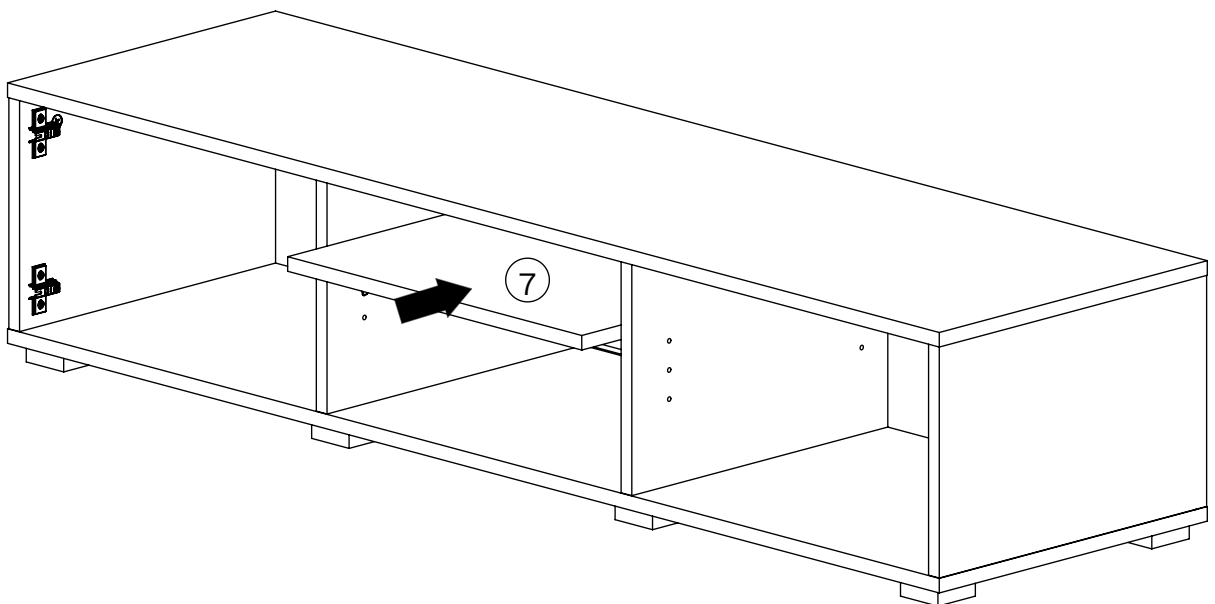
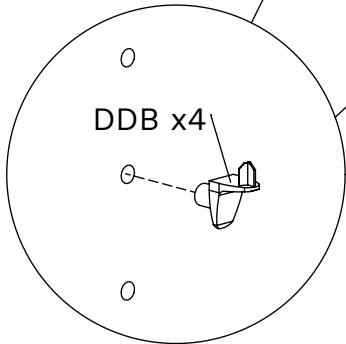
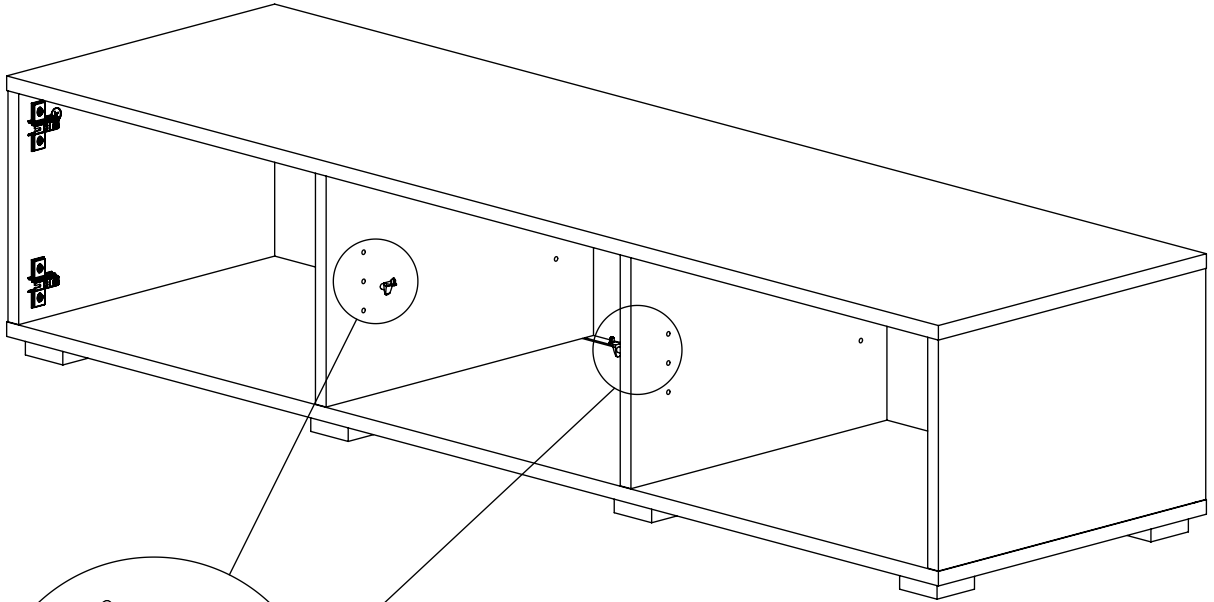
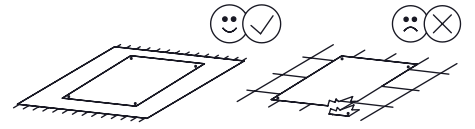
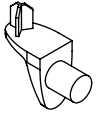


6

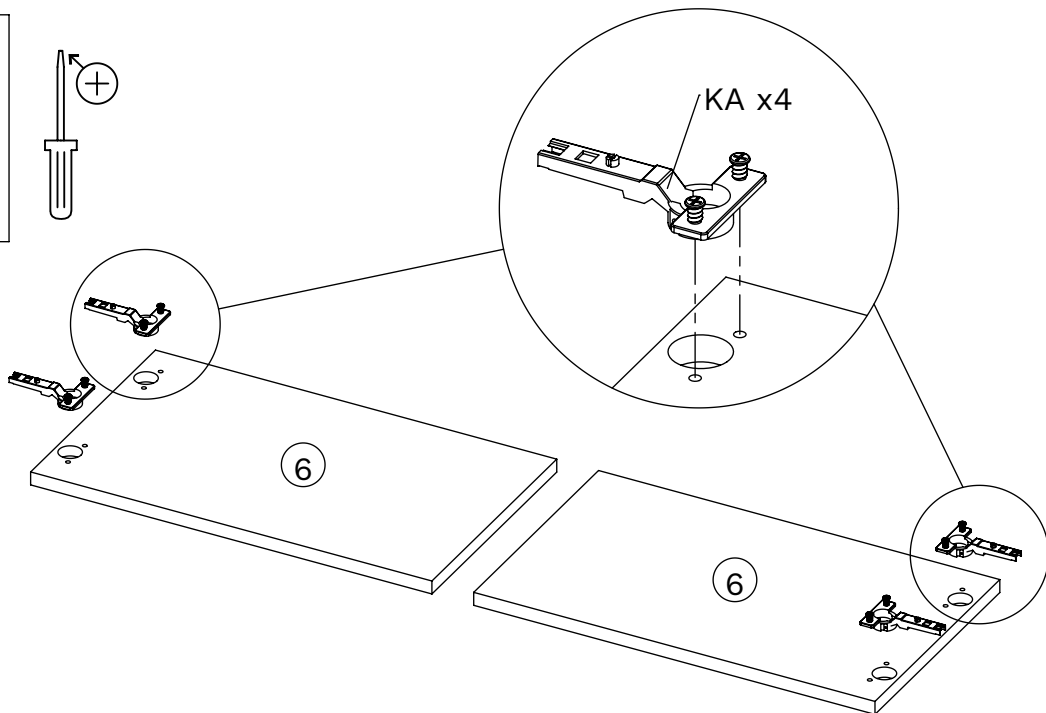
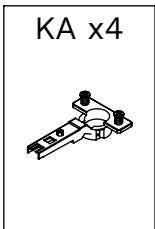


7

DDB x4



8



9

