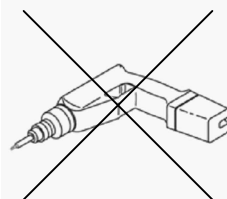
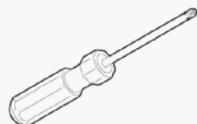
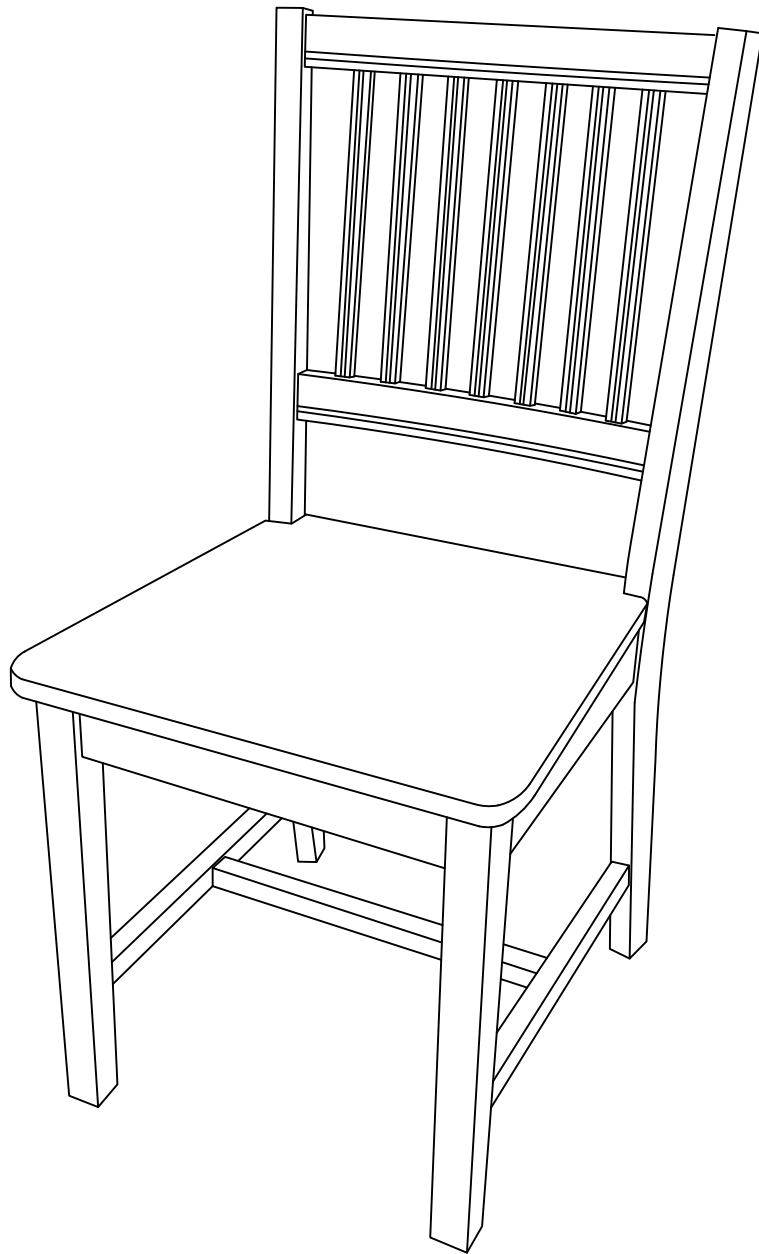
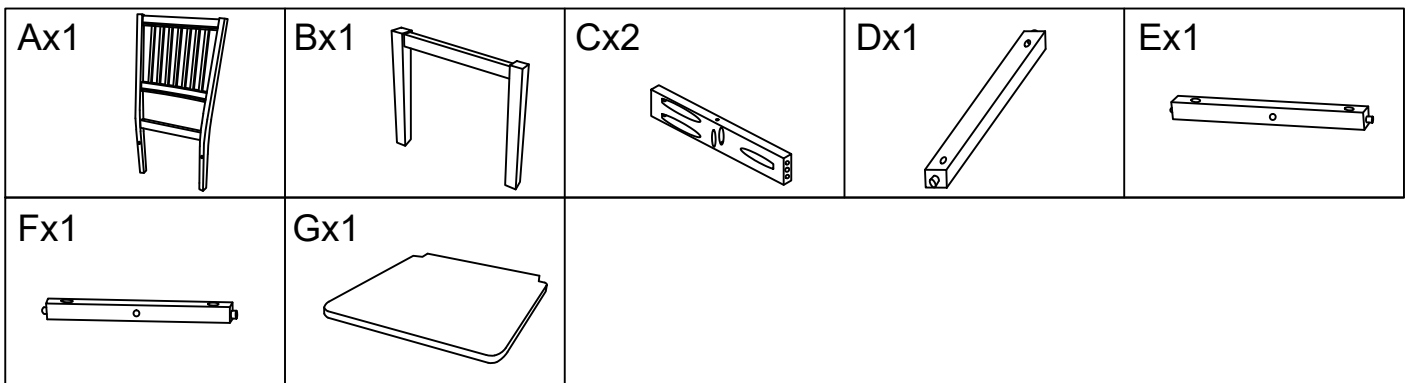
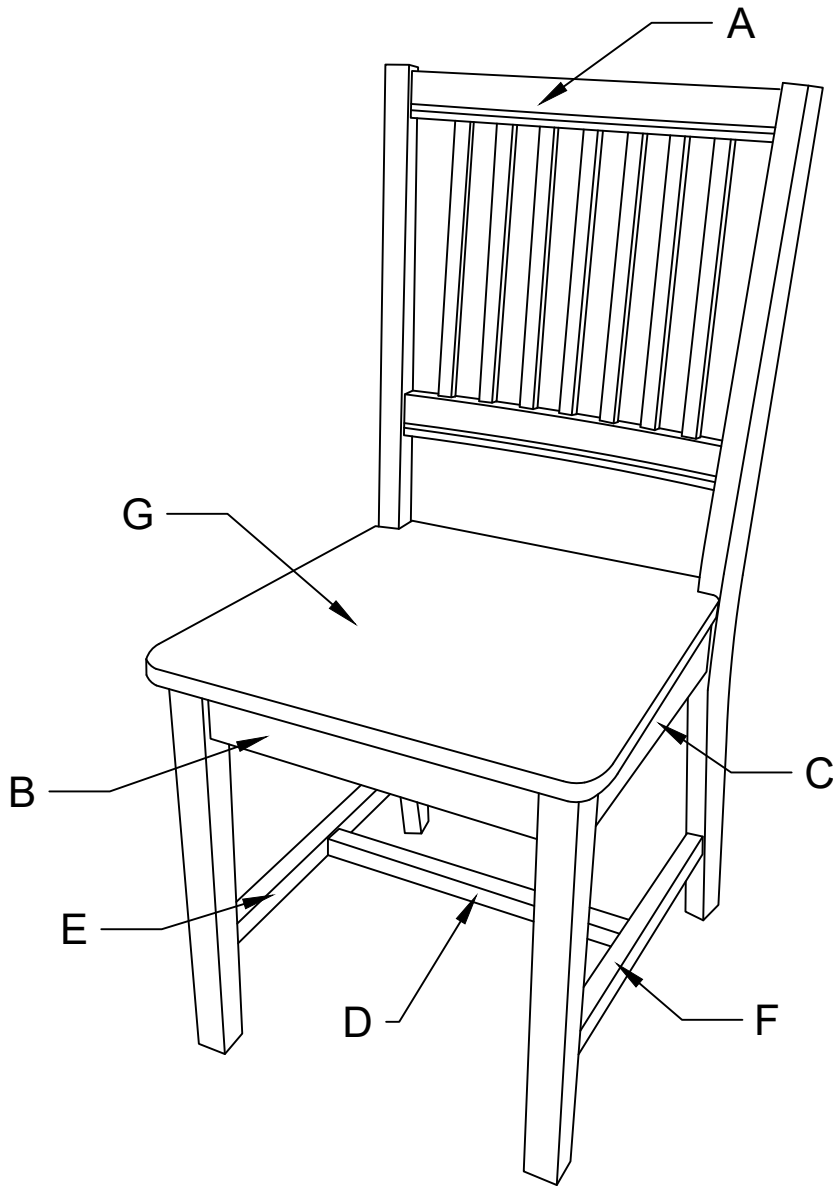
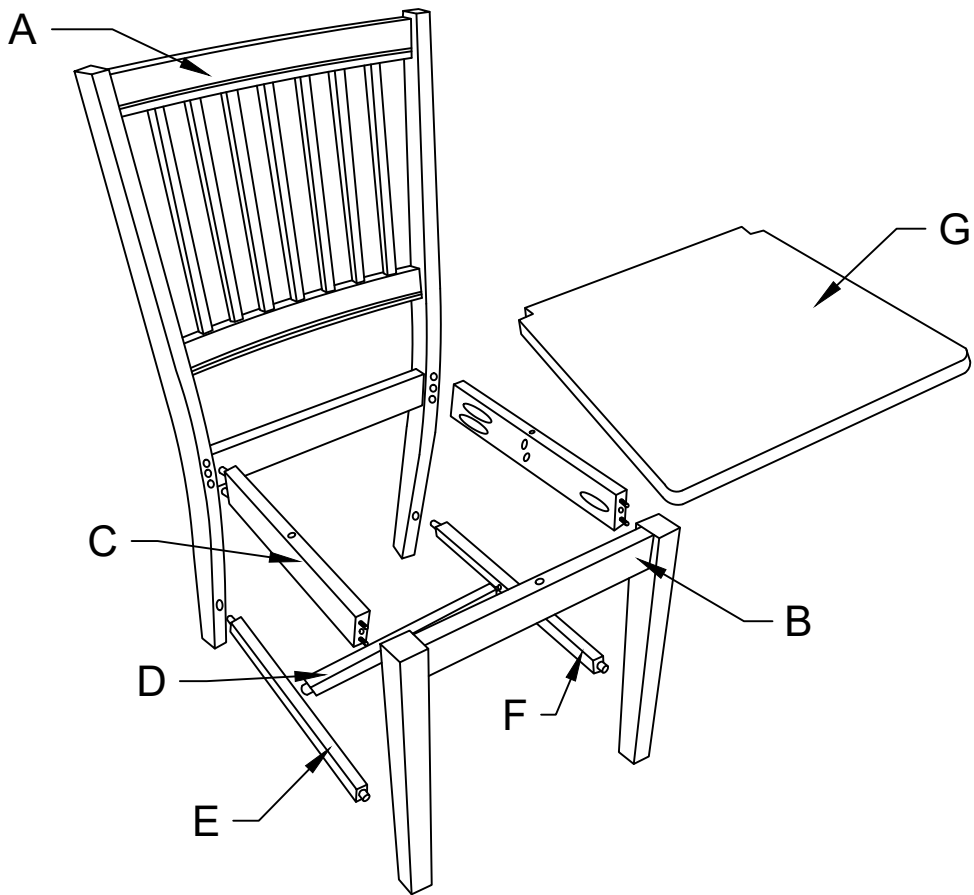






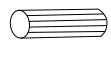
# Brisbane





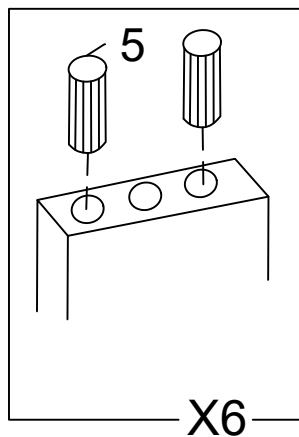
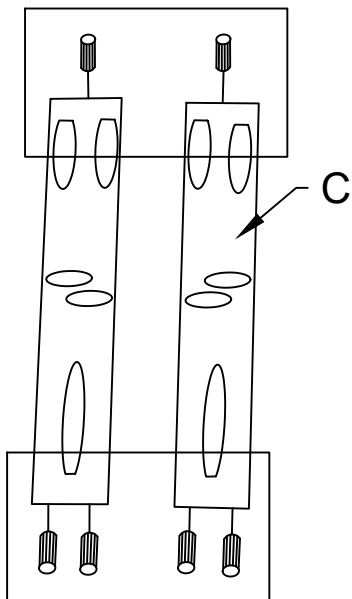
A	430 x 35 x 890mm
B	400 x 38 x 420mm
C	326 x 20 x 60mm
D	335 x 20 x 25mm
E	370 x 20 x 25mm
F	370 x 20 x 25mm
G	415 x 435 x 19mm



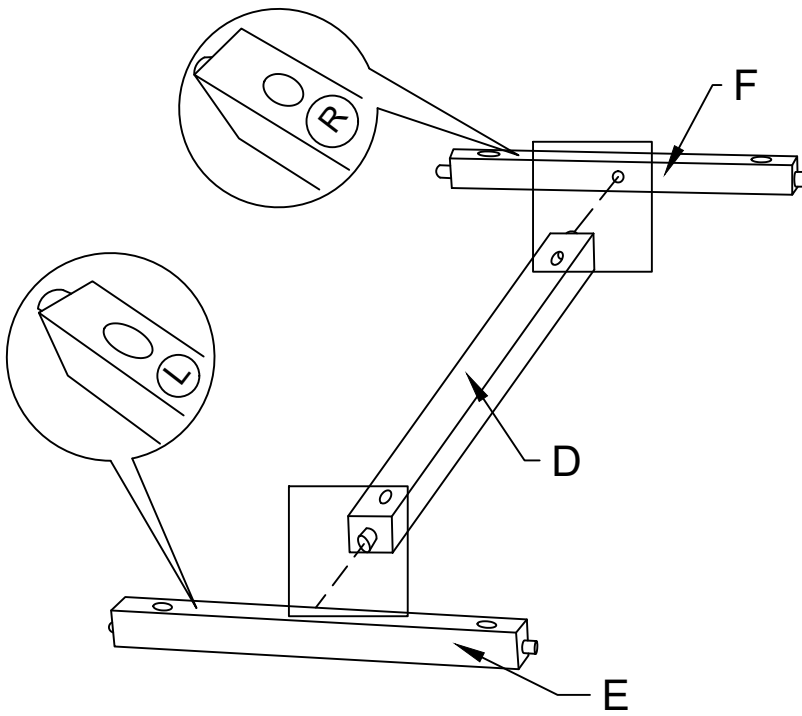
<p>1x6 ø6x50mm</p> 	<p>2x6 ø8mm</p> 	<p>3x1 ø4mm</p> 	<p>4x9 ø4x32mm</p> 	<p>5x6 ø8x30mm</p> 
--	---	---	---	--

1

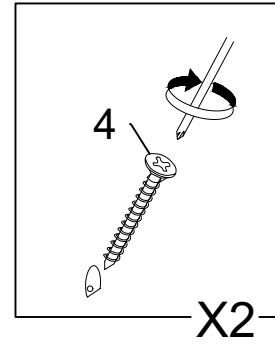
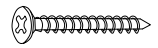
5x6  
ø8x30mm



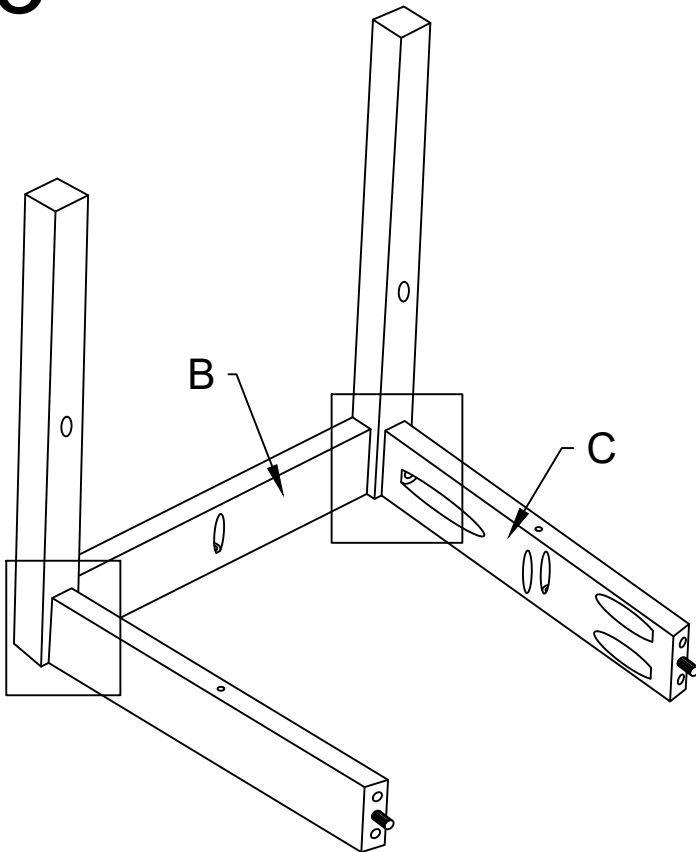
# 2



4x2  
ø4x32mm



# 3



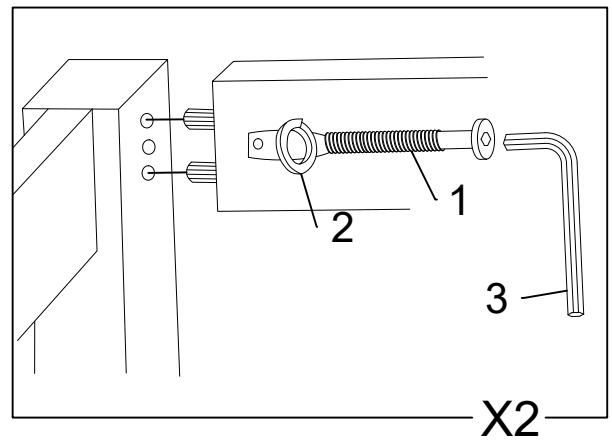
1x2  
ø6x50mm



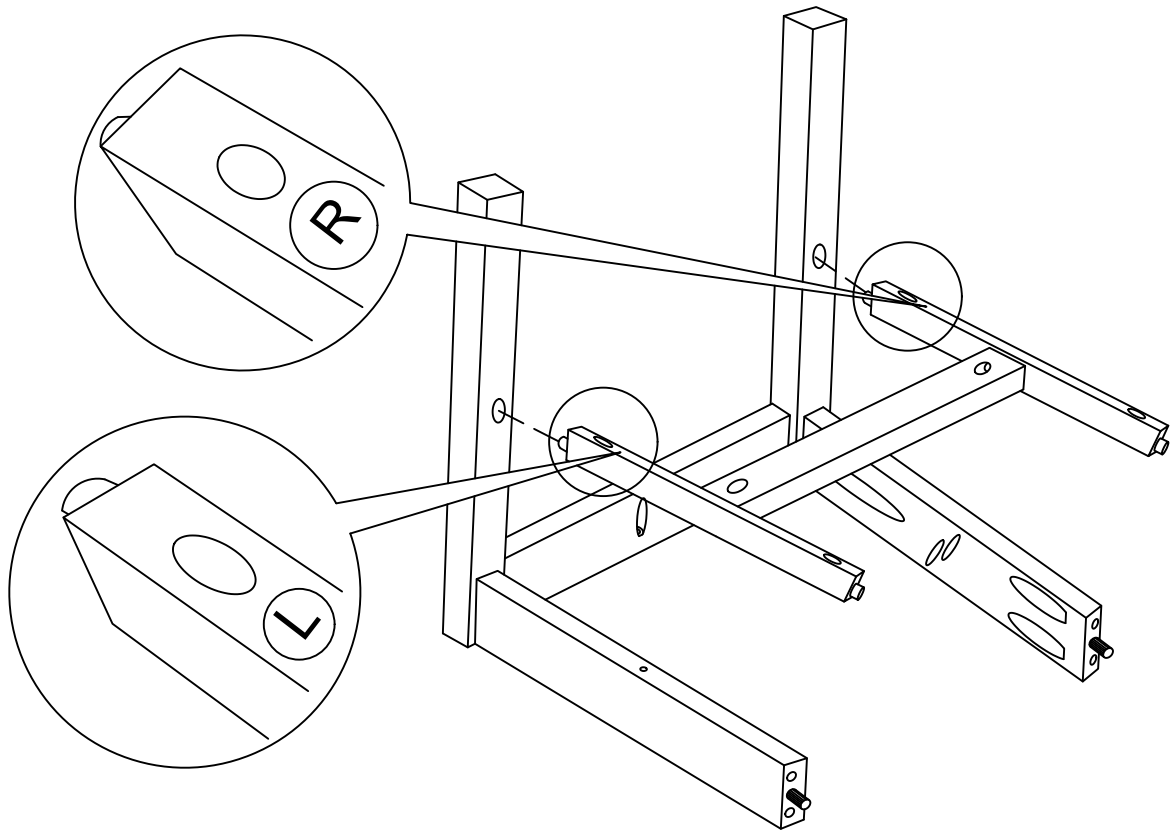
2x2  
ø8mm



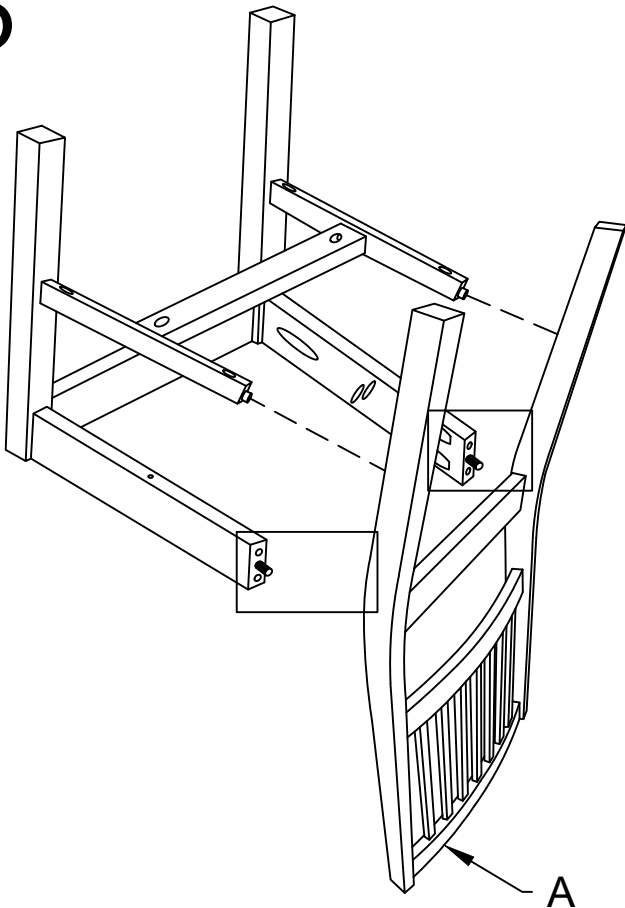
3x1  
ø4mm

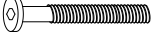




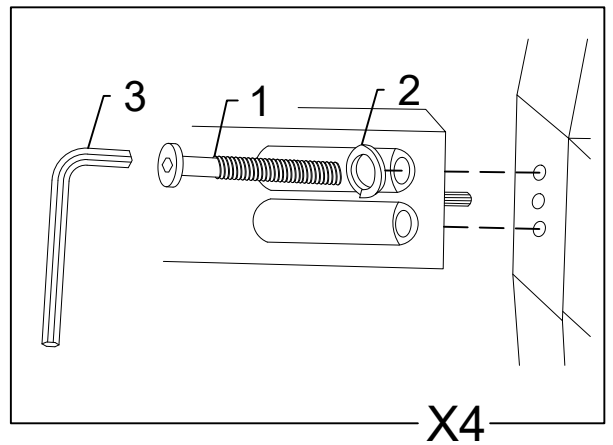
# 4



# 5

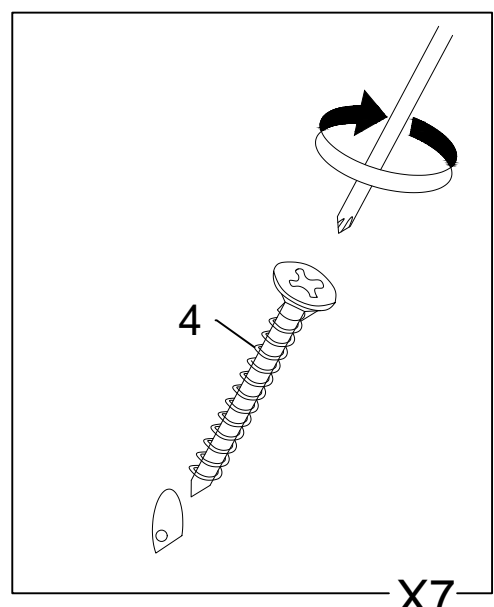
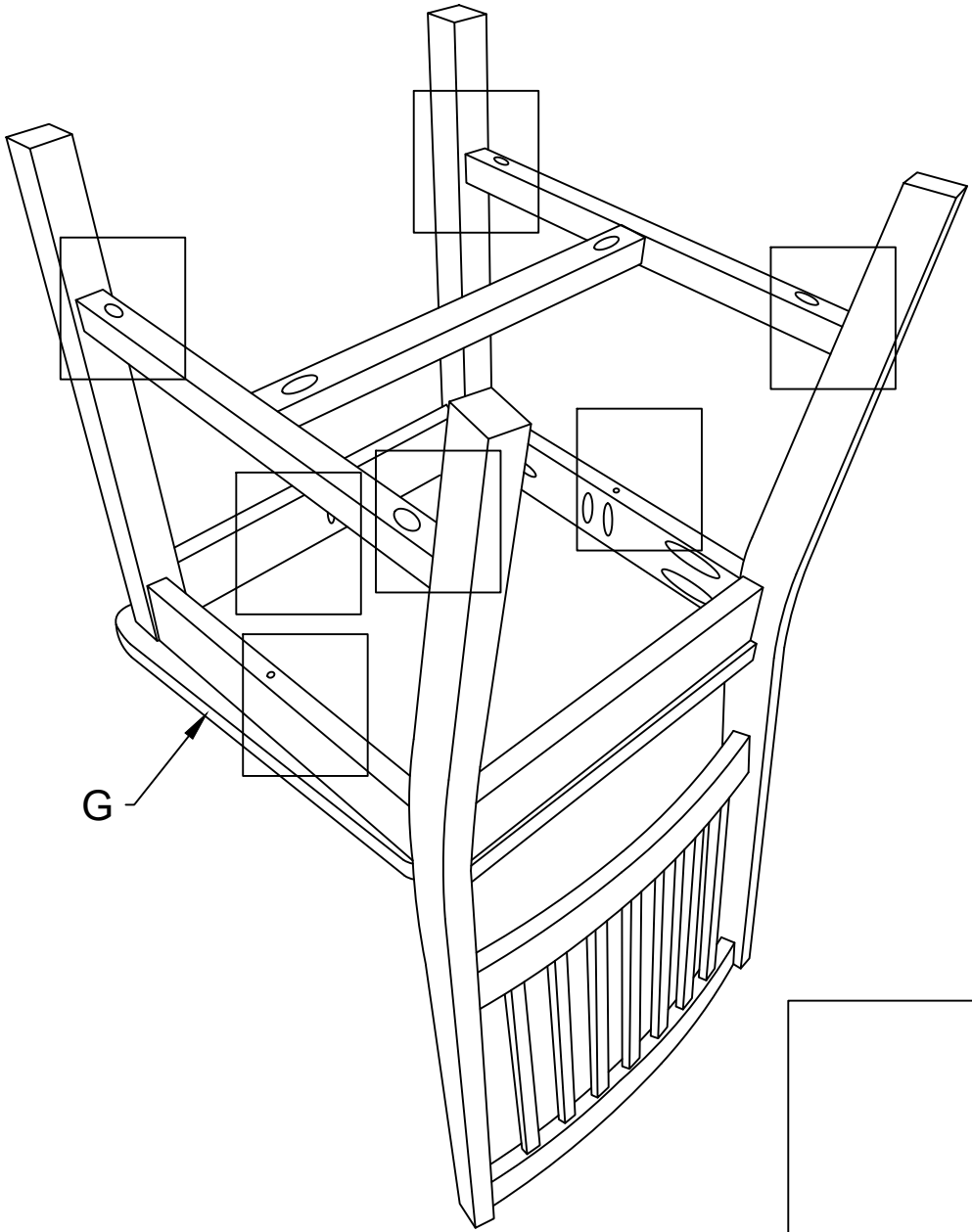



<p>1x4 ø6x50mm</p> 	<p>2x4 ø8mm</p> 
<p>3x1 ø4mm</p> 	



6

4x7  
ø4x32mm



4

X7

This inset diagram shows a close-up of the assembly process. It depicts a screw being inserted into a hole in a wooden piece. Above it, a curved wooden piece is shown being attached to a vertical post, with a curved arrow indicating the direction of rotation.