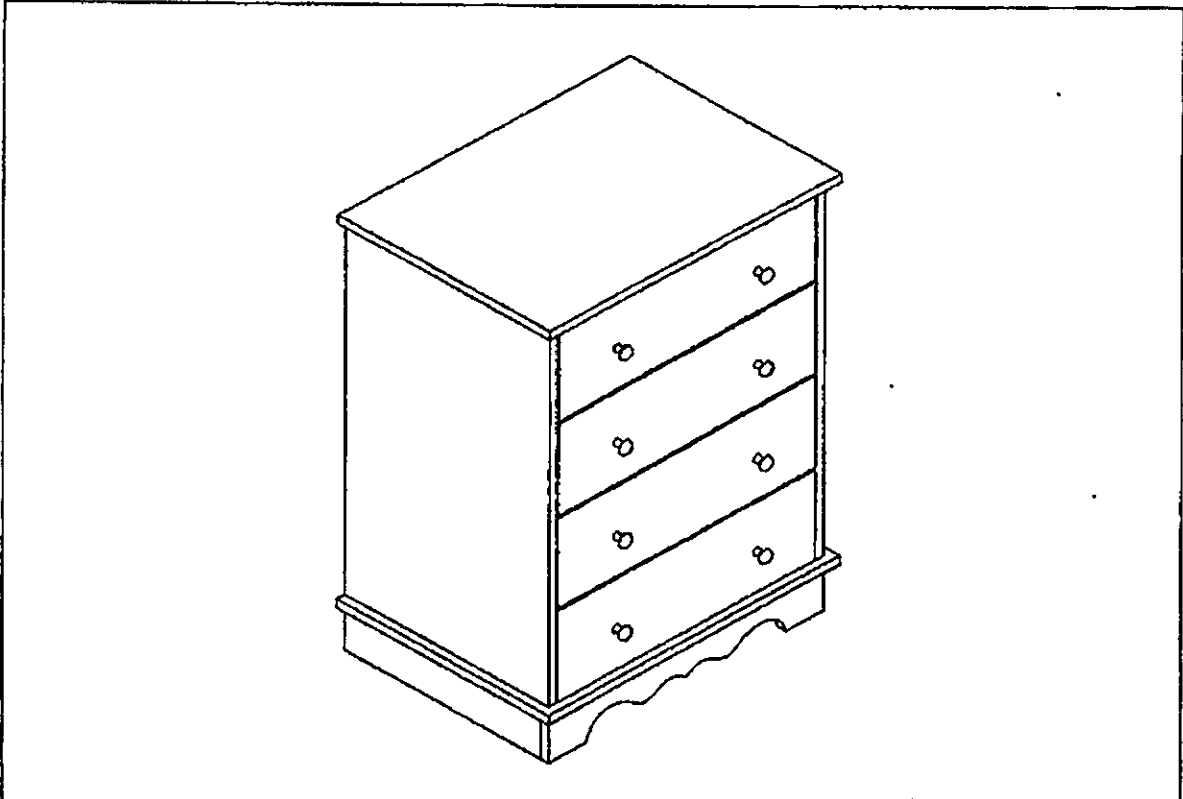


# 2404557

## ASSEMBLY INSTRUCTION

<<Before assembling, read all the instruction>>

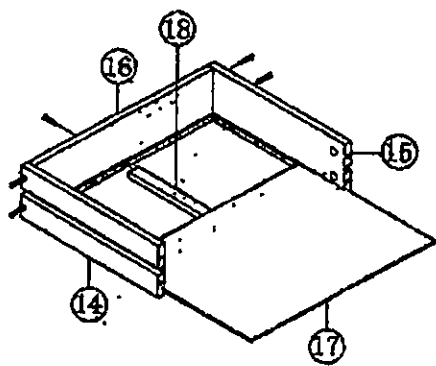
### Components:



<b>A</b>		x40
<b>B</b>		x40
<b>C</b>		x22
<b>D</b>		x24
<b>E</b>		x18
<b>F</b>		x18
<b>G</b>		x8
<b>H</b>		x8
<b>I</b>		x1





# STEP 1

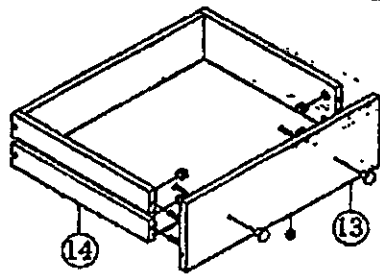
**D**  x20



x4

# STEP 2

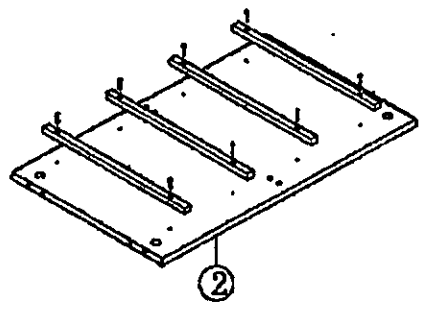
<b>A</b>		x20
<b>B</b>		x20
<b>G</b>		x8
<b>H</b>		x8



x4

# STEP 3

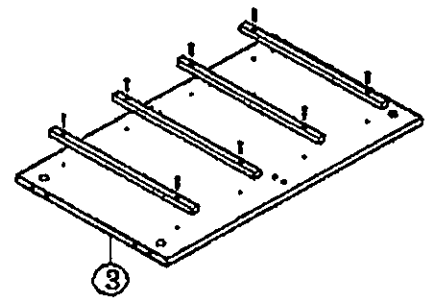
**F**  x8



2




# STEP 4

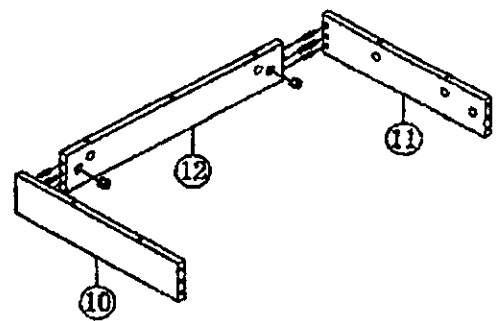
**E**  x8



3




# STEP 5

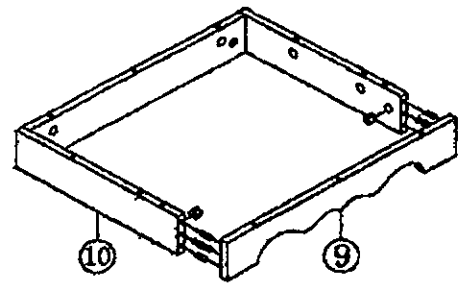
<b>A</b>		x2
<b>B</b>		x2
<b>C</b>		x4



10

# STEP 6

<b>A</b>		x2
<b>B</b>		x2
<b>C</b>		x4

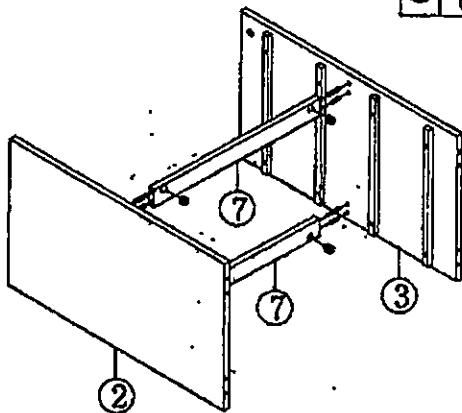


10



9

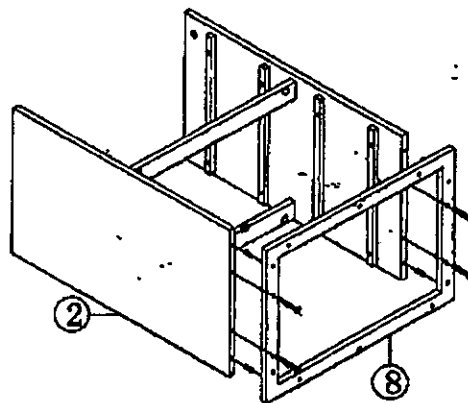
# STEP 7

A		x4
B		x4
C		x4






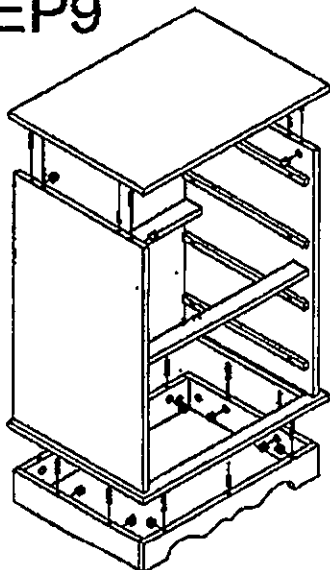
# STEP 8

C		x4
D		x4


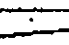


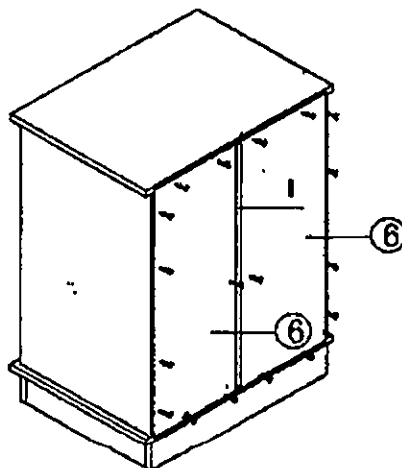
# STEP 9

A		x12
B		x12
C		x6



# STEP 10

F		x18
I		x1



# STEP 11

