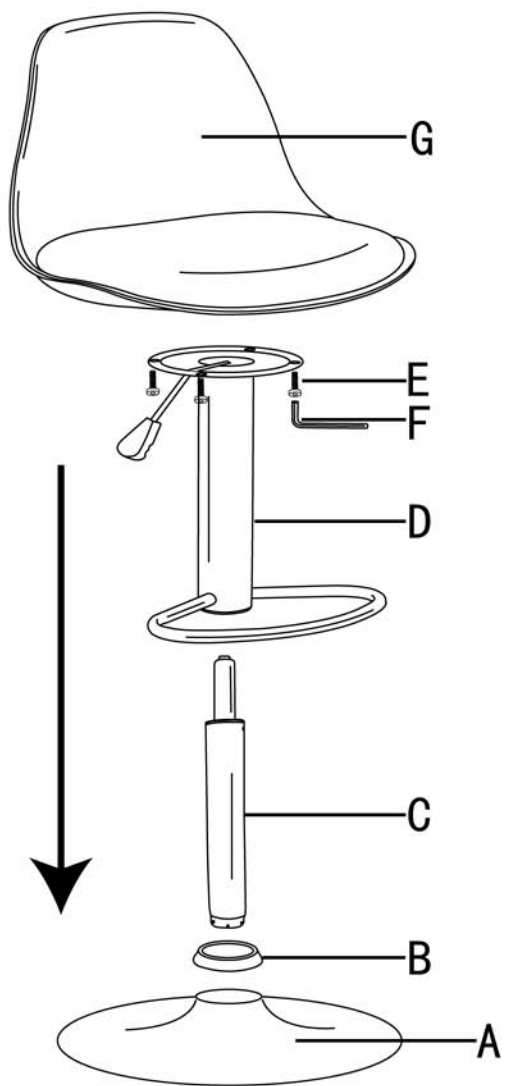


# 1001080 Trondheim Bar Chair



1



2



Ax1



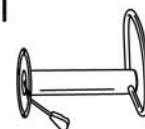
Bx1



Cx1



Dx1



E $\times$ 4



F $\times$ 1



G $\times$ 1

