

ASSEMBLY INSTRUCTIONS

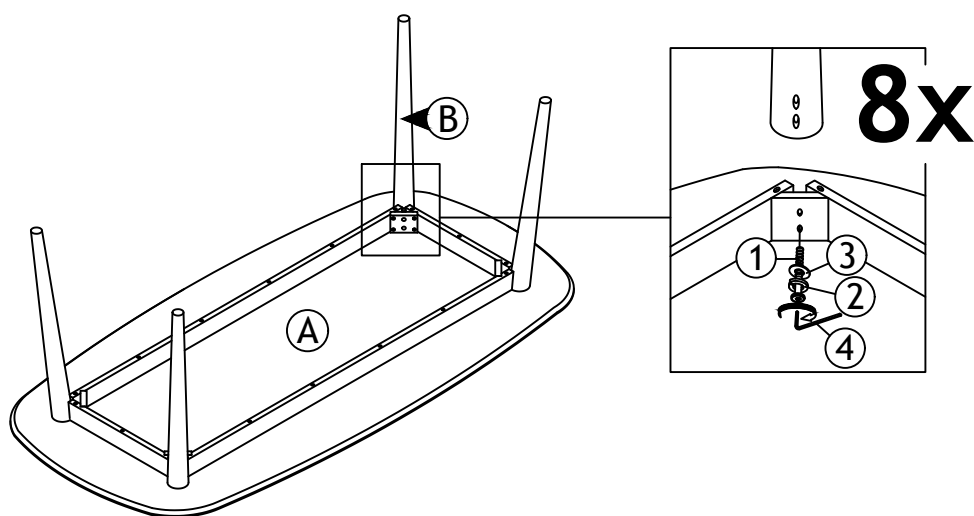
Read this instruction carefully. Refer hardware and furniture parts list for guidance. Be sure all parts are complete, before assembling. Place all wooden furniture part on a clean and flat soft surface to prevent scratches. Refer steps provided as assembling guide.

- CAUTIONS :**
1. Do not **FULLY-TIGHTEN** the nuts or nut bolts until all are in place.
 2. To prevent thread damage. Ensure that nuts or nut bolts are not over-tighten.
 3. Hardware are to be kept out of reach from children.

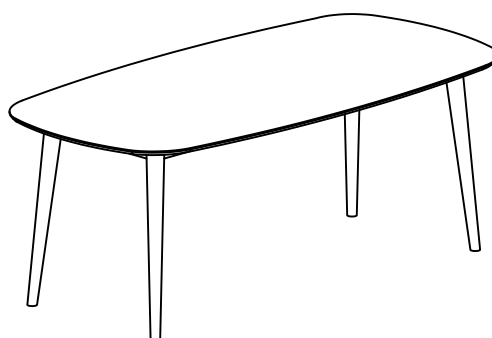
PART LIST		
ITEM	DESCRIPTION	QTY
A	TABLE TOP	1 PC
B	TABLE LEG	4 PCS

HARDWARE LIST		
ITEM	DESCRIPTION	QTY
1	JCBB SCREW M8 x 70MM 	8 PCS
2	SPRING WASHER 5/16" 	8 PCS
3	FLAT WASHER 5/16" 	8 PCS
4	ALLEN KEY M5 	1 PC

STEP 1



STEP 2



ASSEMBLY COMPLETED