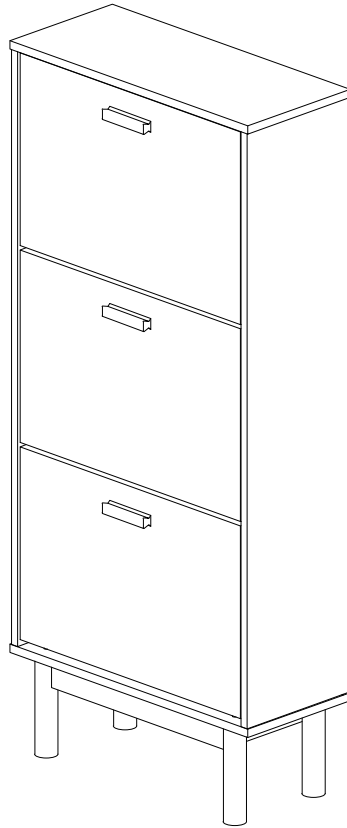
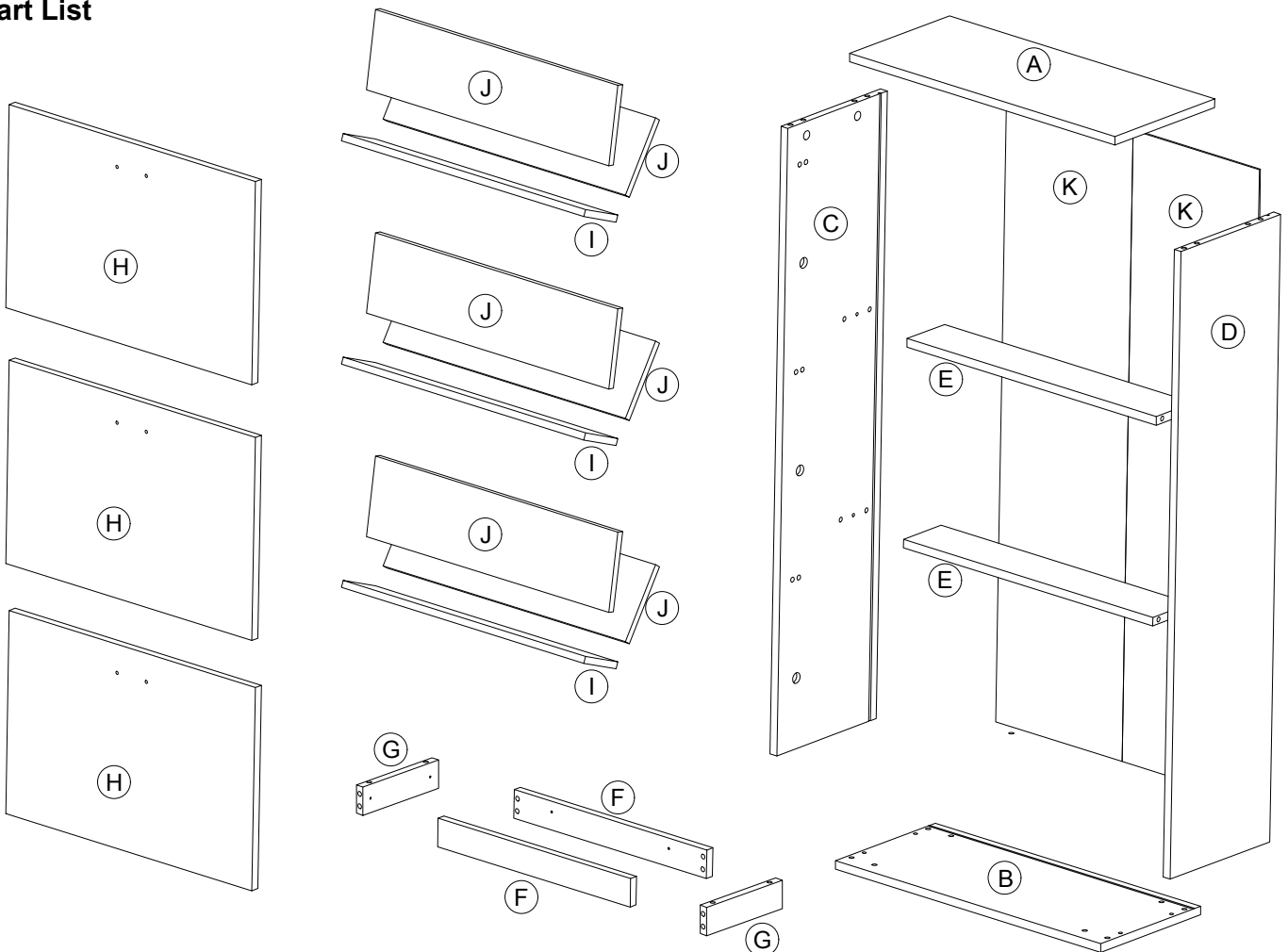


Assembly Instruction

89401009, 89401010, 89401011





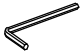
Part List








Assembly Instruction

Hardware List

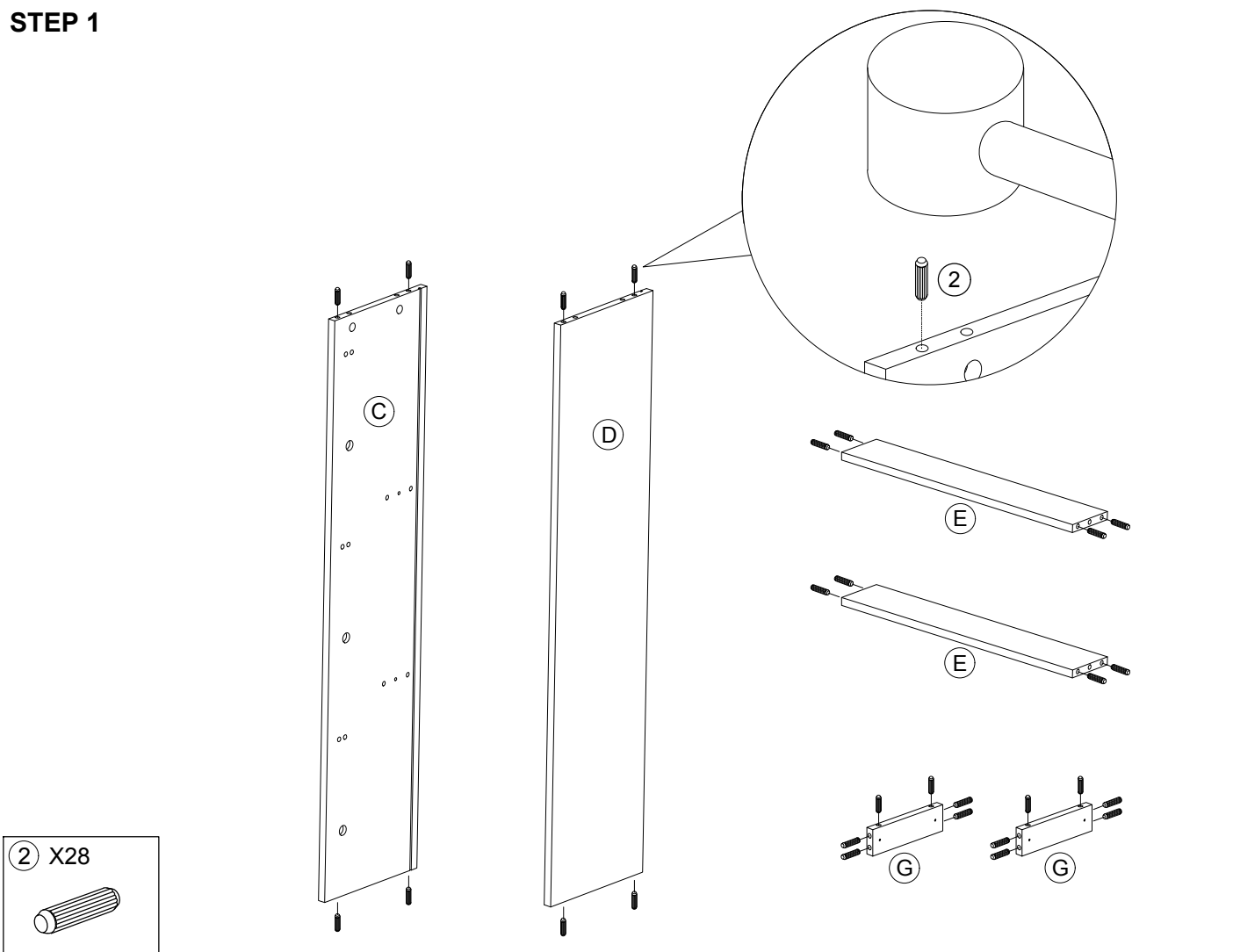
No.	SHAPE	DESCRIPTION	Qty.
1		15MM Myfix Minifix	8 Sets
2		8x25mm Wood Dowel	28 Pcs
3		M5x40mm Screw	4 Pcs
4		MDF Profile Handle (100mm)	3 Pcs
5		M4x30mm Screw	6 Pcs
6		Wooden Leg Ø40x40x180mm	4 Pcs
7		JCBC 'W' Screw M6x40	4 Pcs
8		Z Bracket	4 Pcs
9		M3x16mm Screw	8 Pcs
10		L Bracket	8 Pcs

11		2 Tray Shoe Rack (P)-White	3 Sets
12		M3.5x16mm Screw	58 Pcs
13		#6x5/8" CSK Screw	6 Pcs
14		Nail	12 Pcs
15		L Key	1 Pc
16		Round Gasket Ø20mm	4 Pcs

Packing Tipping Restraint

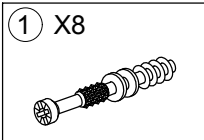
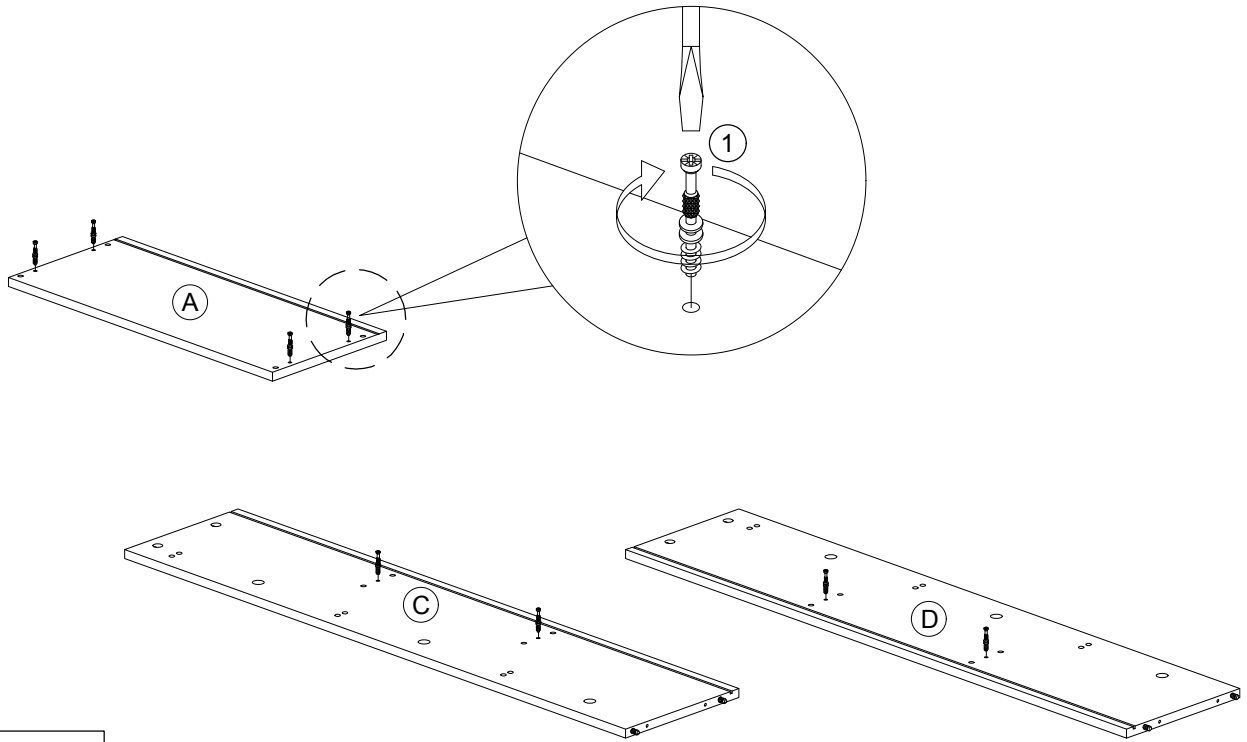
17		M3.5x15mm Screw	2Pcs
18		Wall Plug	2Pcs
19		M4x30mm Screw	2Pcs
20		Safety Strap	2Pcs
21		Flat Washer 6x19x2mm	4Pcs

STEP 1

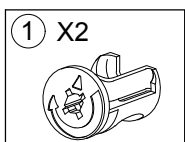
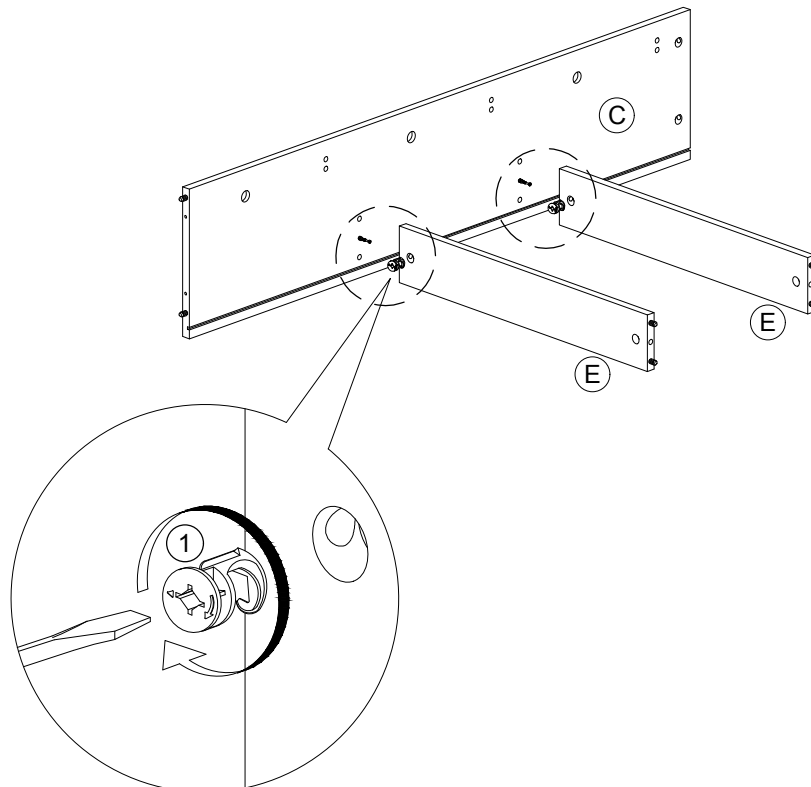


Assembly Instruction

STEP 2

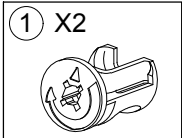
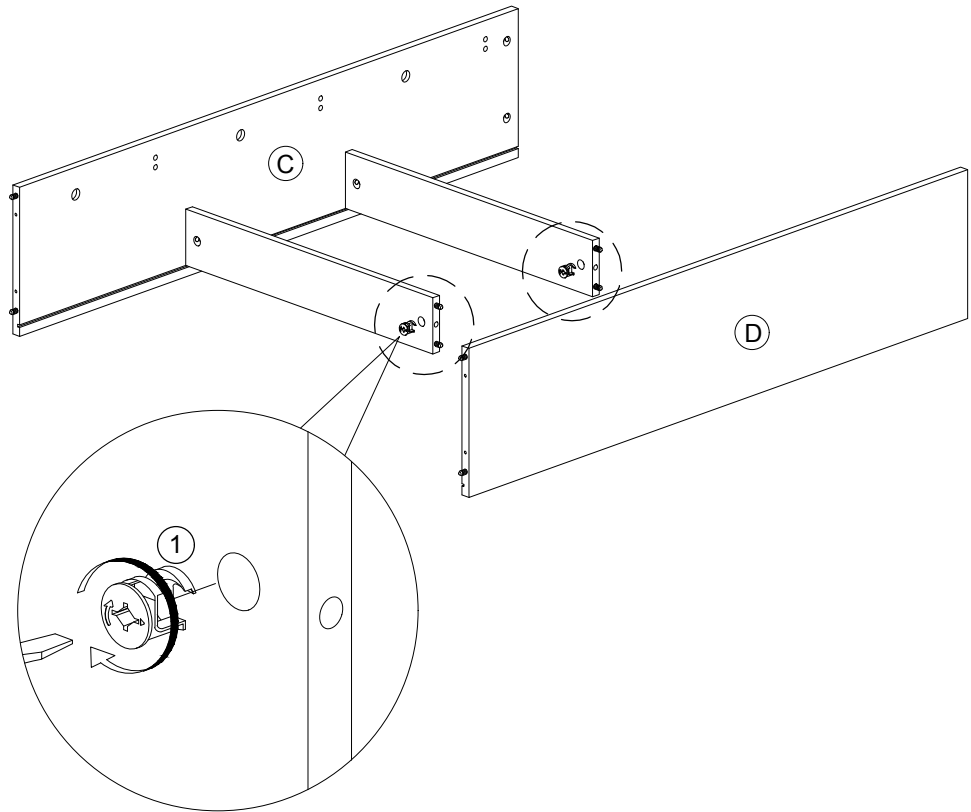


STEP 3

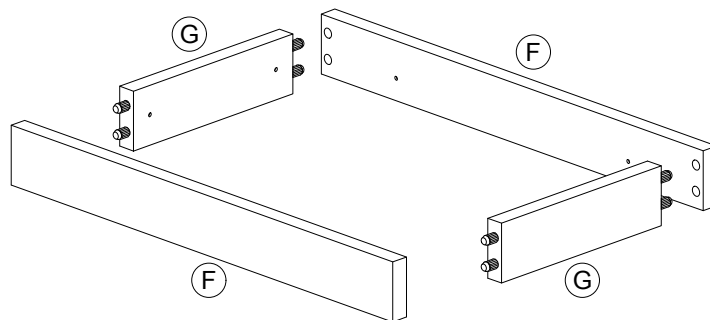


Assembly Instruction

STEP 4

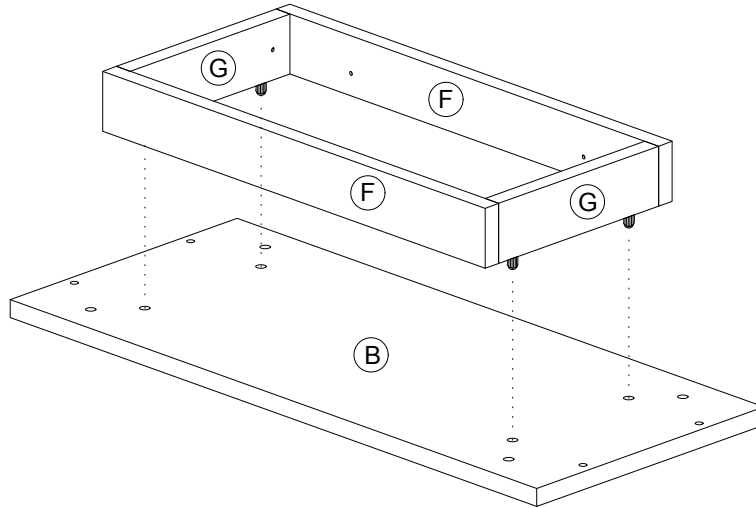


STEP 5

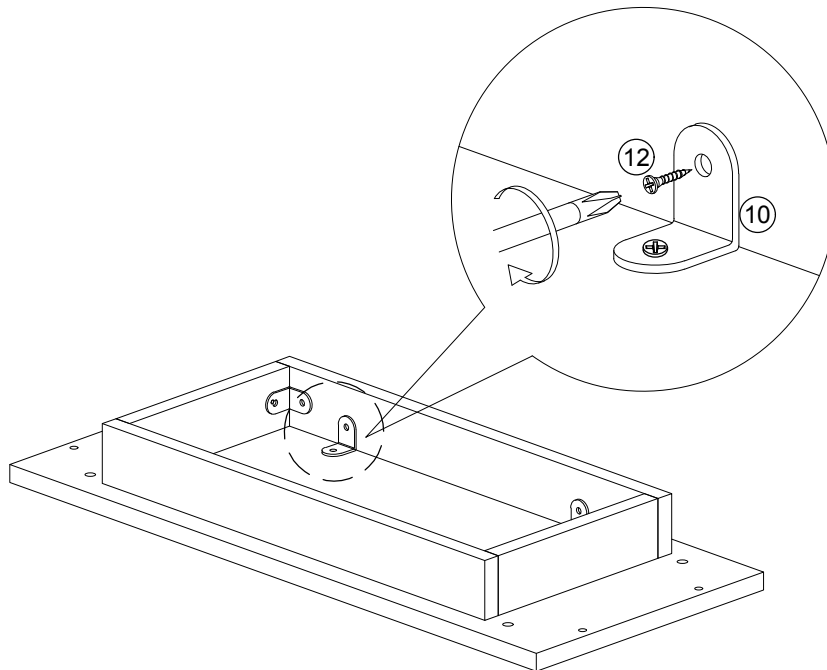


Assembly Instruction

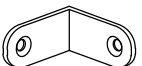
STEP 6



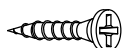
STEP 7



⑩ X8

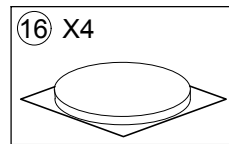
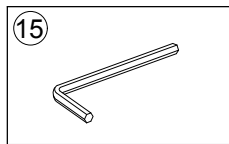
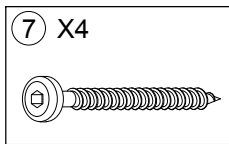
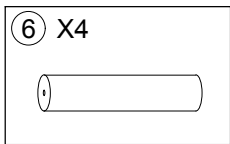
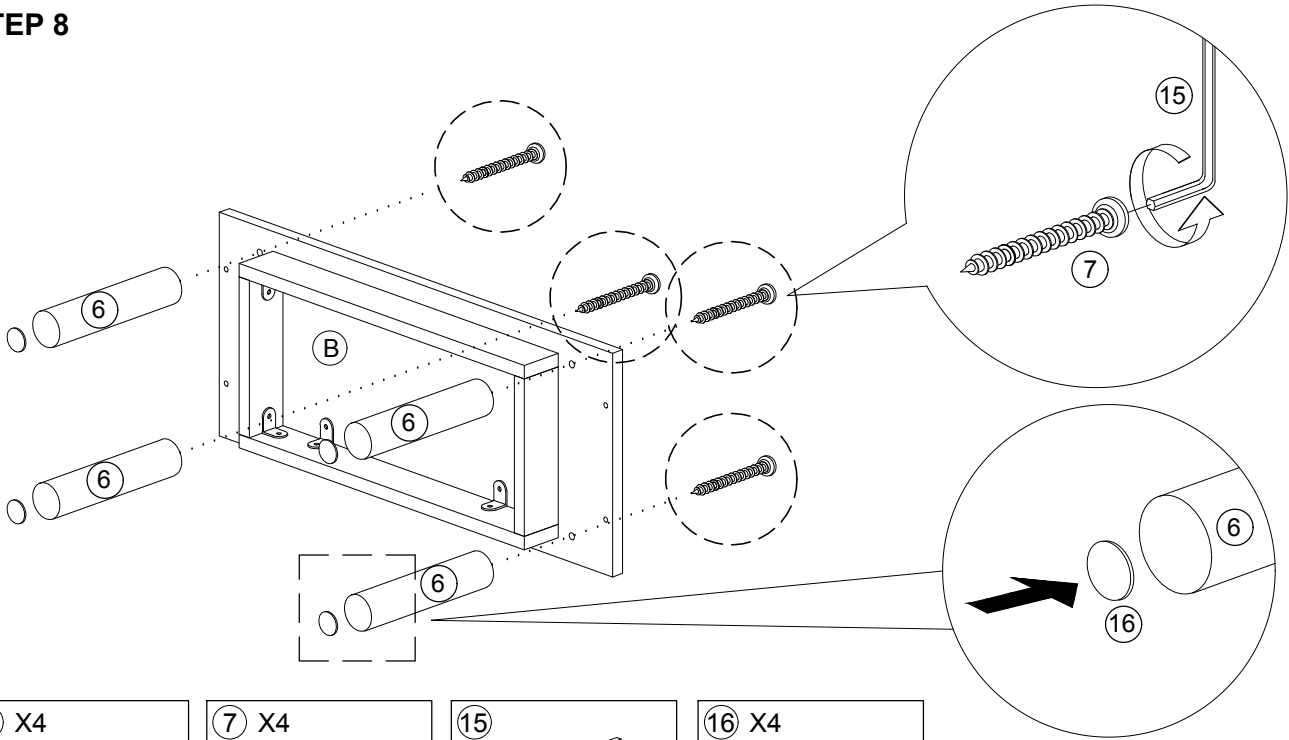


⑫ X16

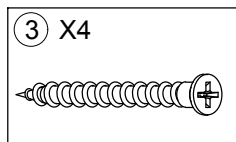
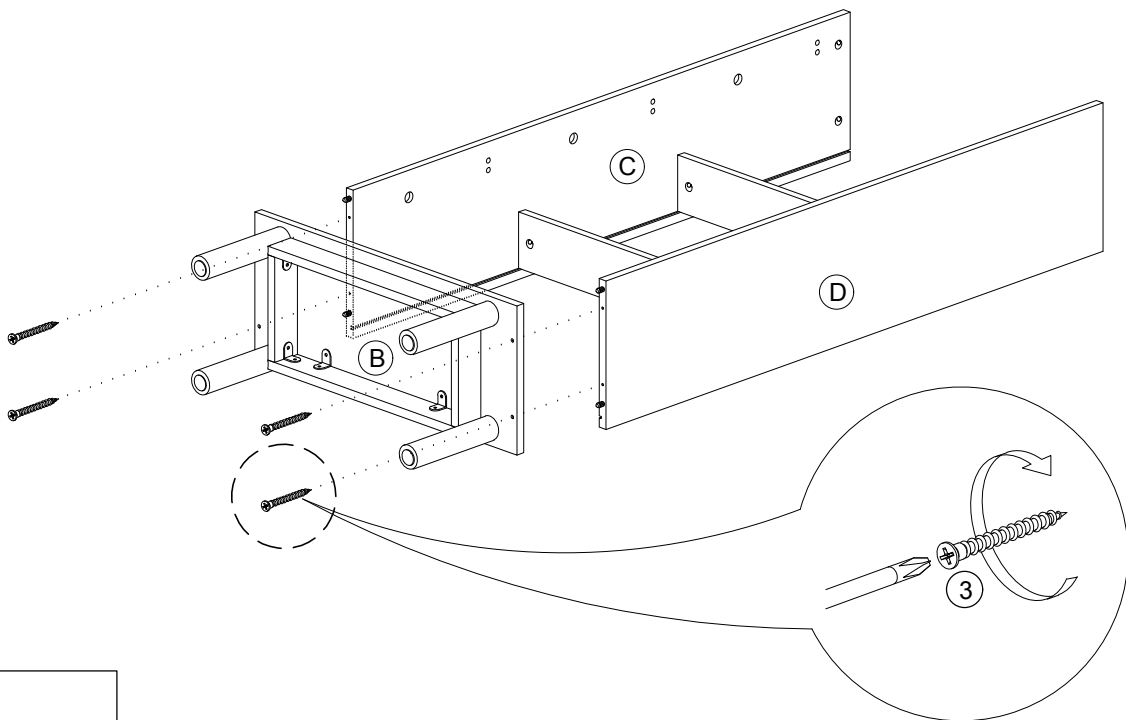


Assembly Instruction

STEP 8

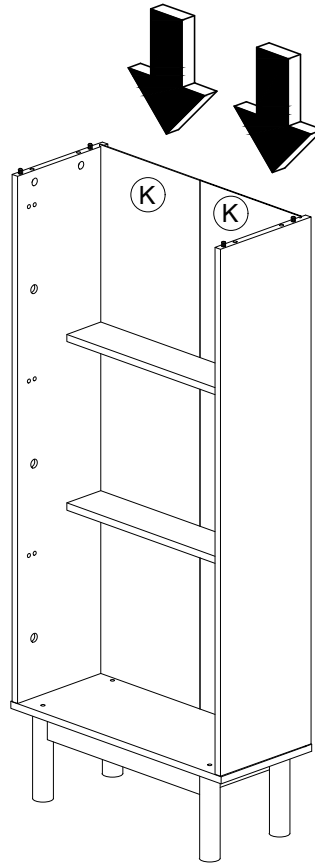


STEP 9

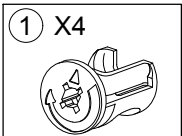
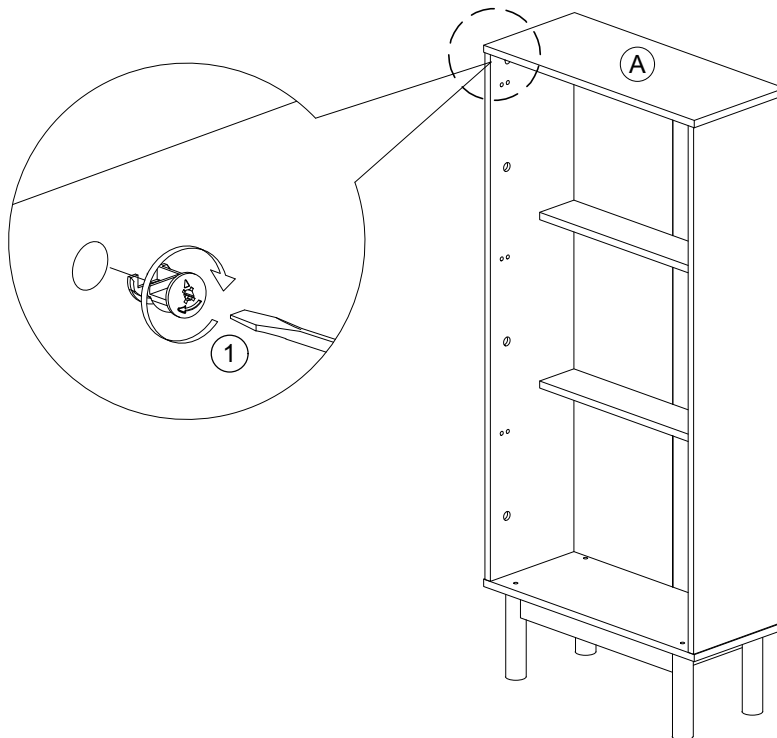


Assembly Instruction

STEP 10

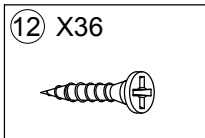
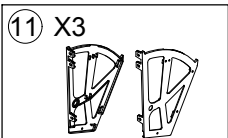
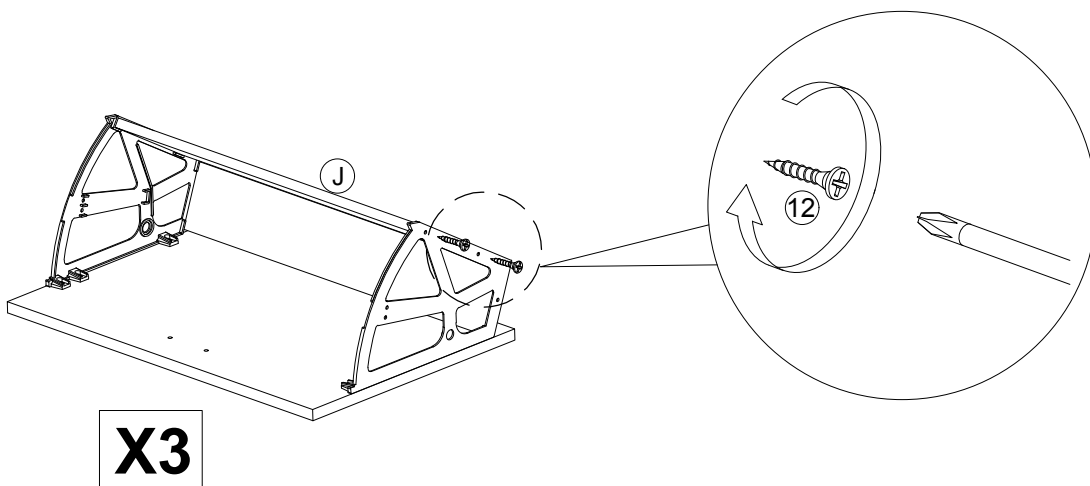
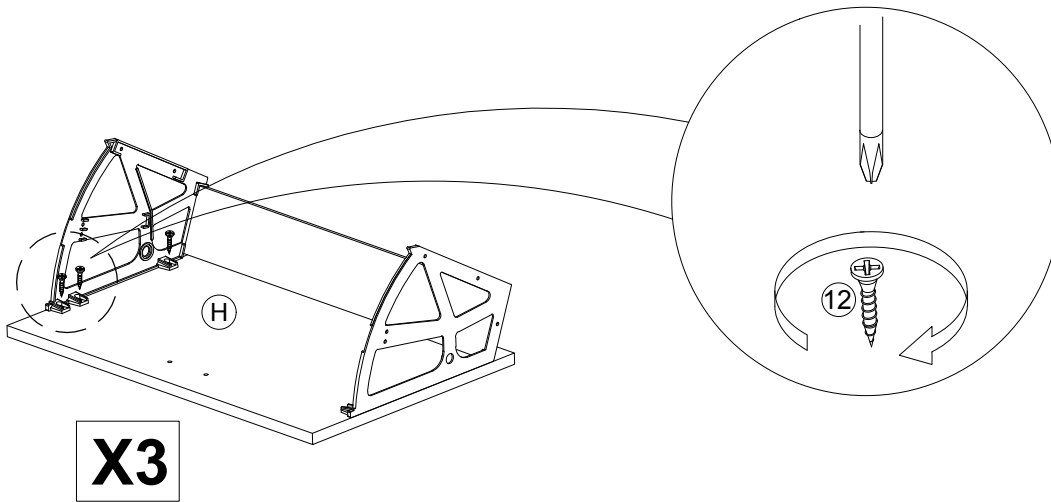
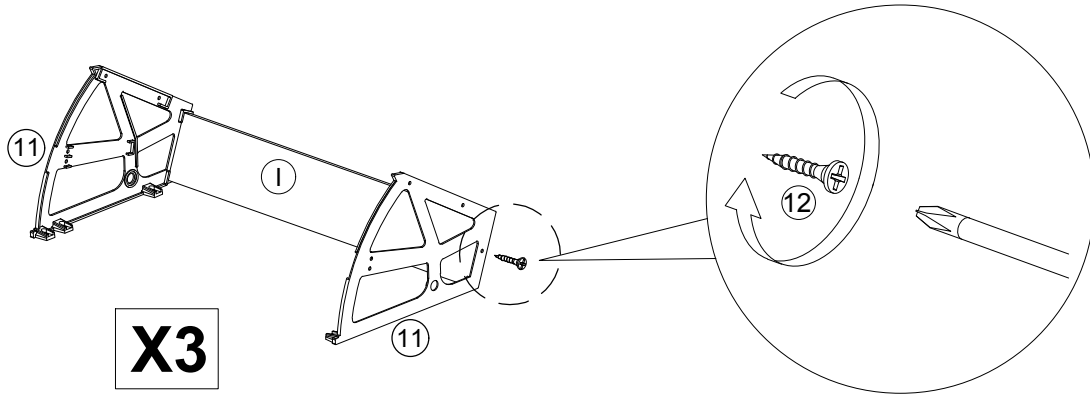


STEP 11



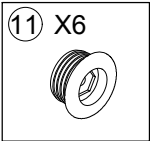
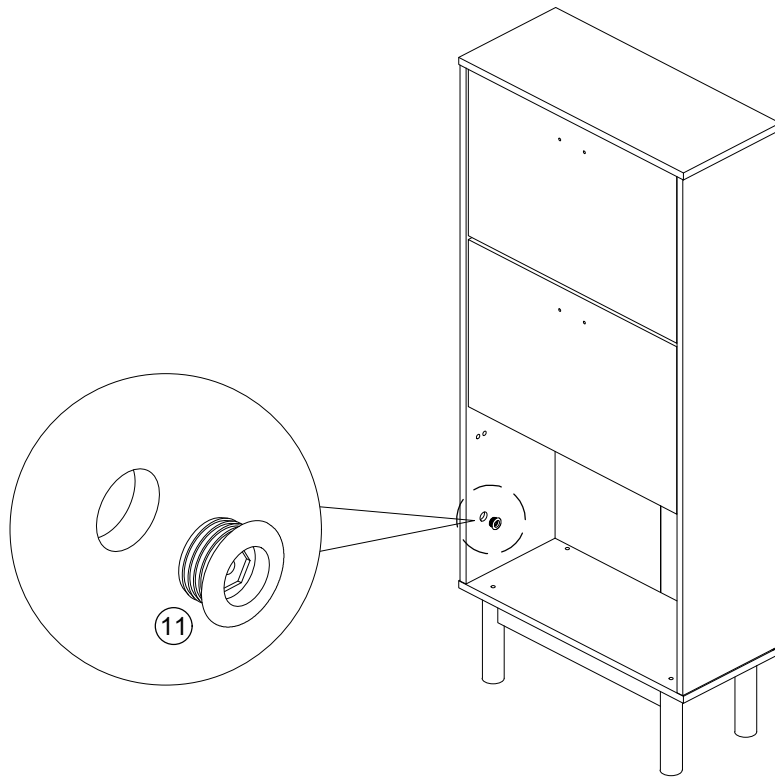
Assembly Instruction

STEP 12

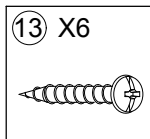
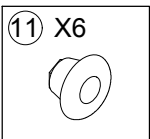
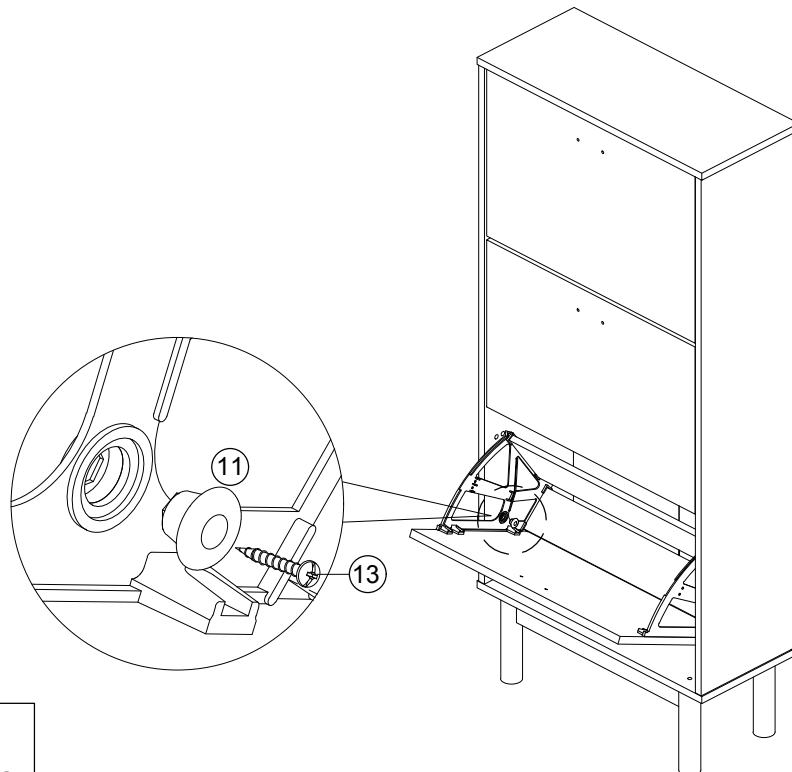


Assembly Instruction

STEP 13

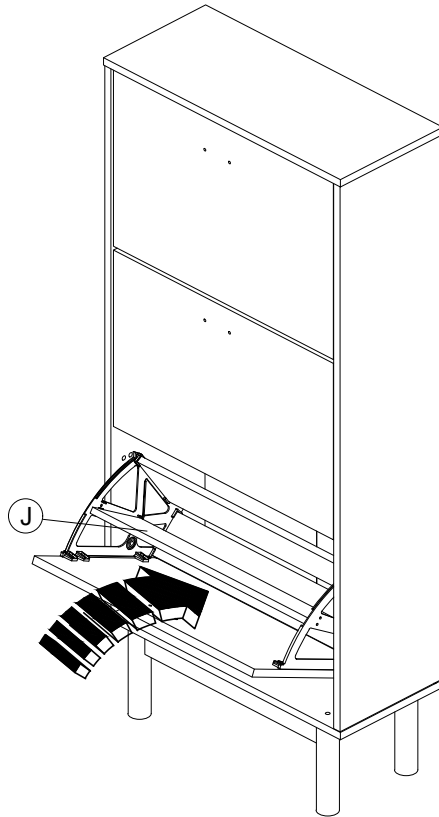


STEP 14

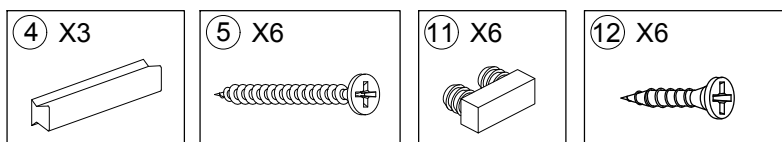
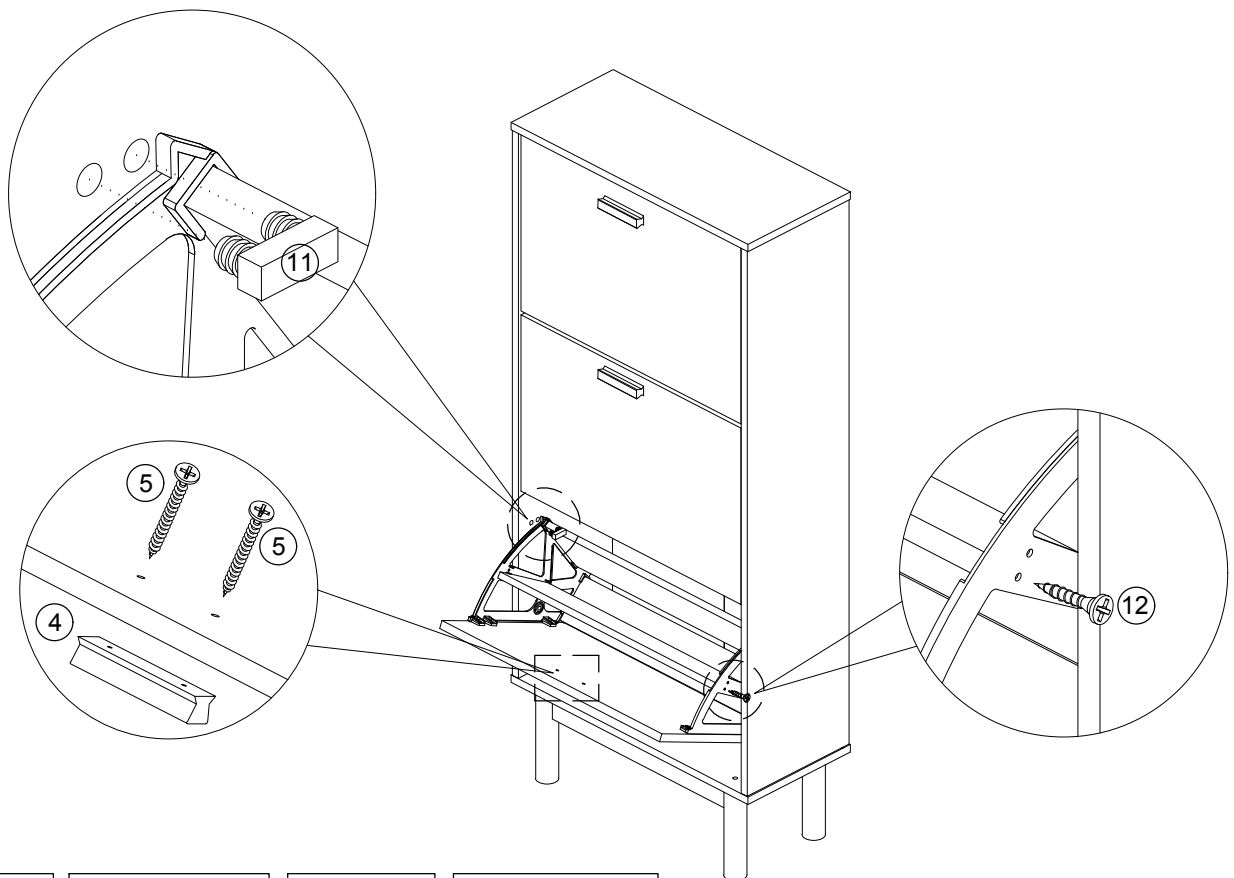


Assembly Instruction

STEP 15

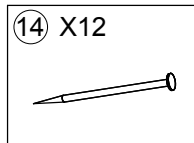
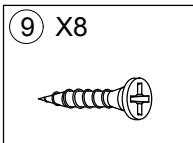
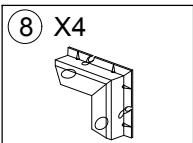
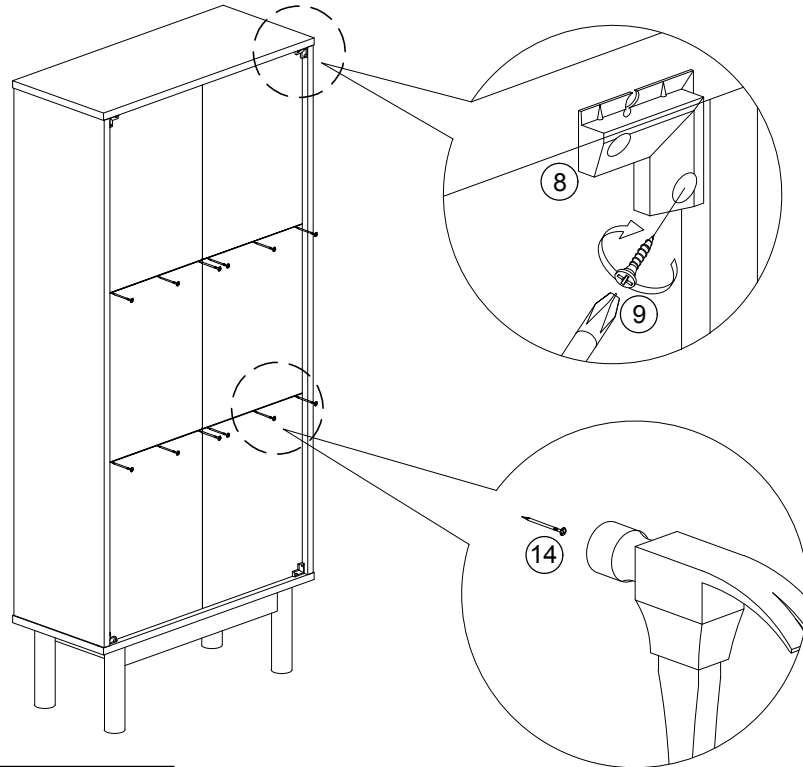


STEP 16

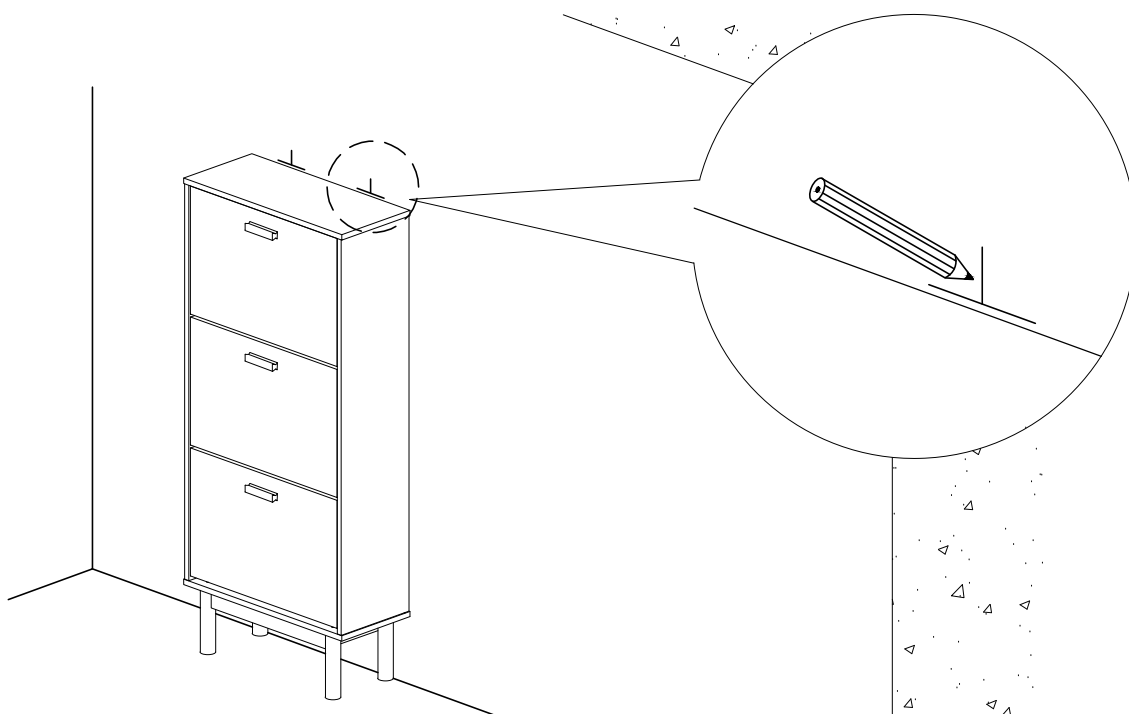


Assembly Instruction

STEP 17

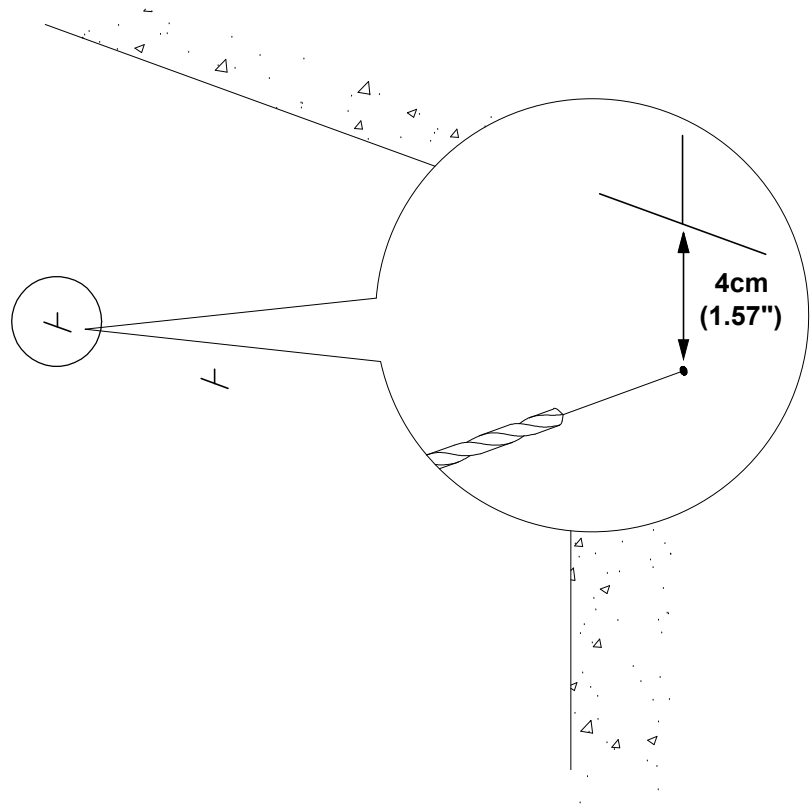


STEP 18 The enclosed wall mounting materials (dowels and screws) are only suitable for solid masonry (e. g. concrete or brick walls). Special dowels and other screws may be necessary for other wall constructions. If necessary, please consult a qualified professional.

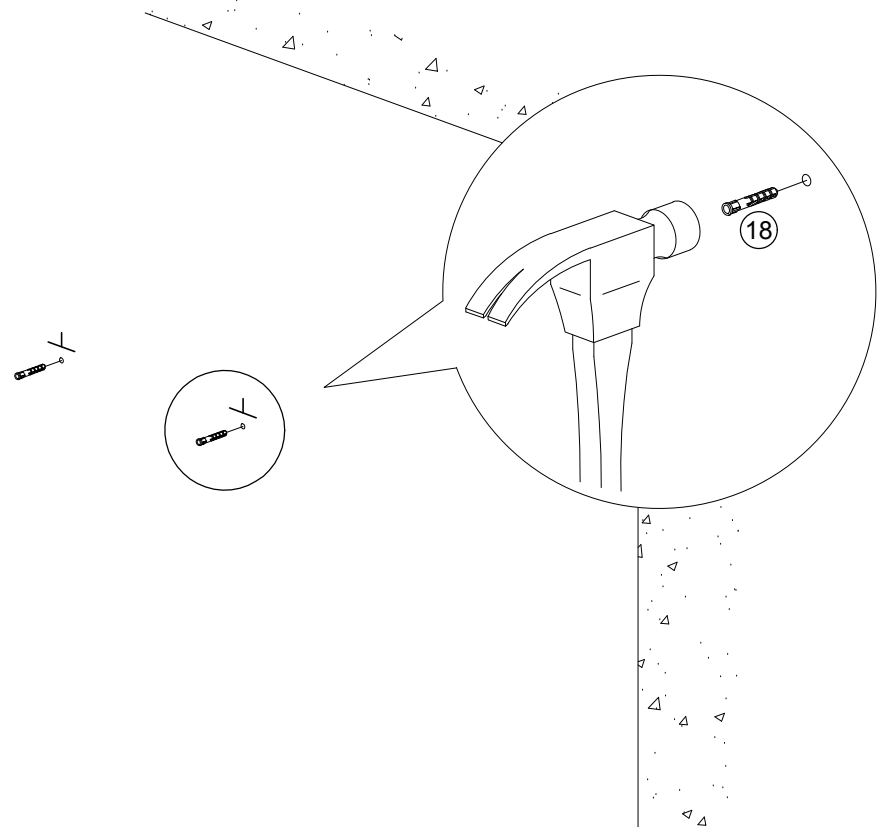


Assembly Instruction

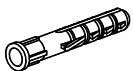
STEP 19



STEP 20

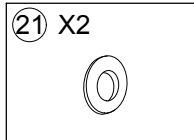
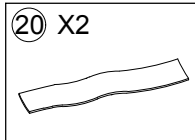
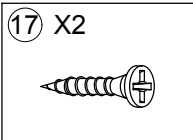
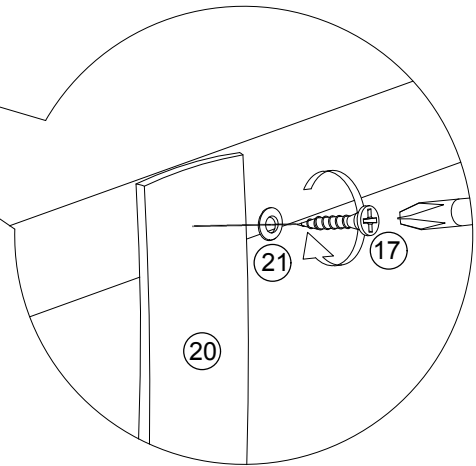
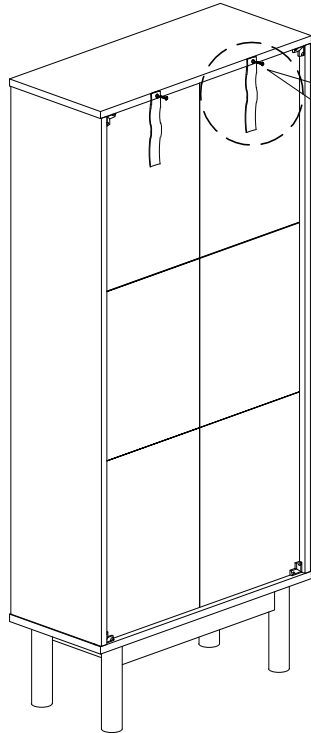


18 X2



Assembly Instruction

STEP 21



STEP 22

