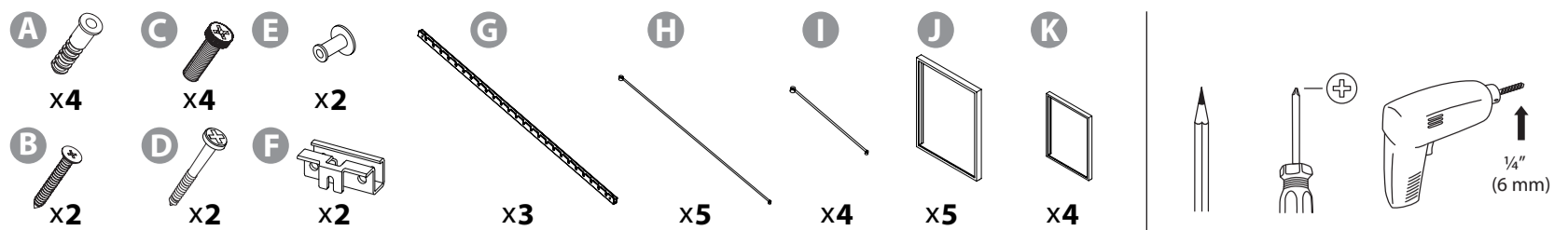
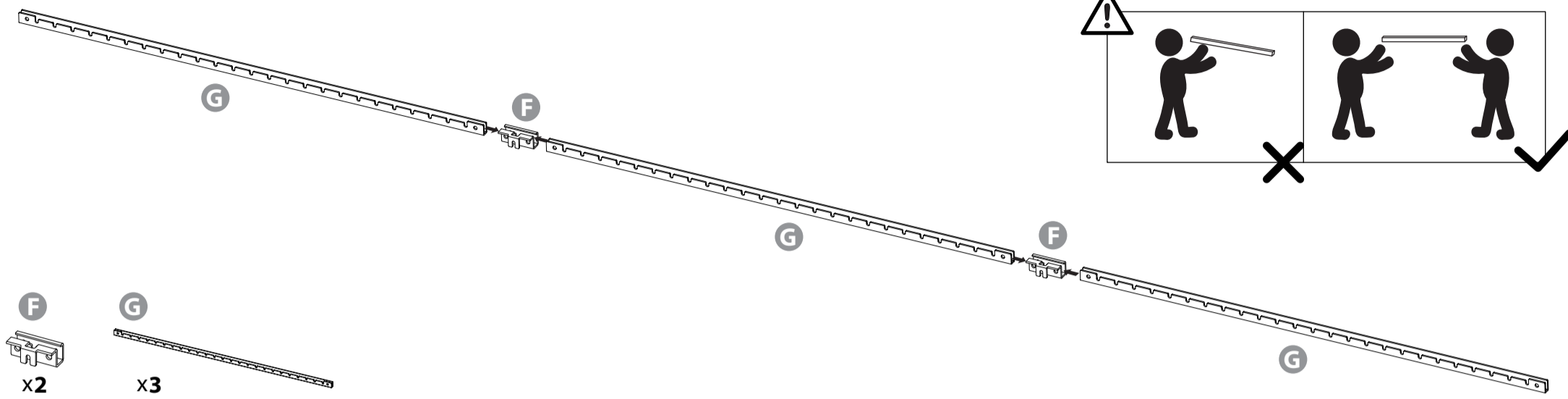




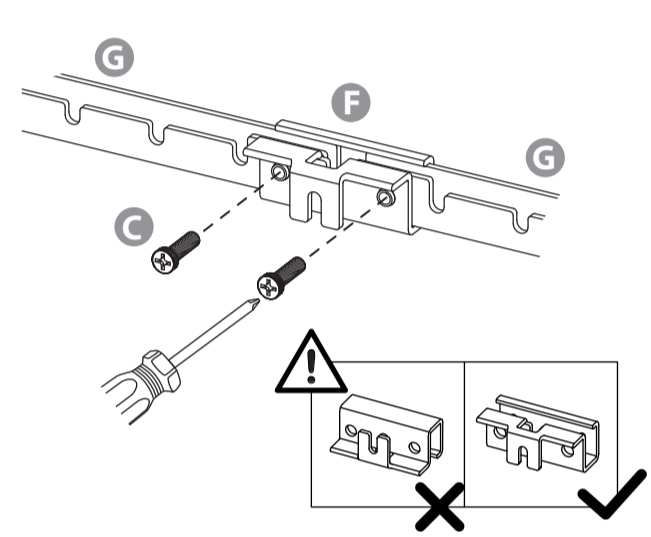
EXHIBIT
 Multi Photo Display
 Cadre photo multi-vues
 Marco multi-fotos
 Multi-Fotorahmen
 Porta-retrato múltiplo
 Design/Diseño:
 Sung wook Park & David Fleishman
 umbra.com



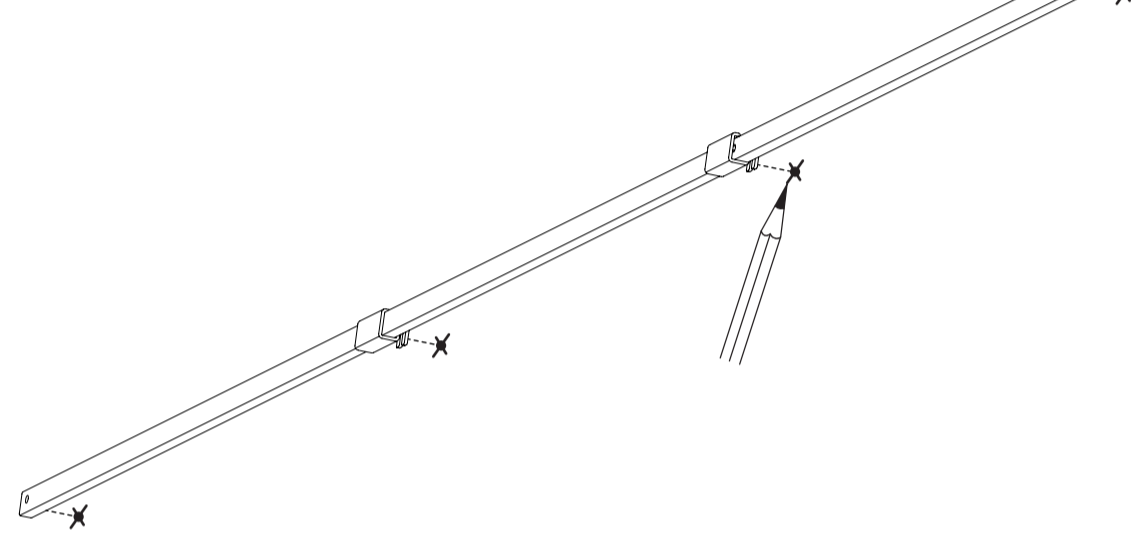
1.



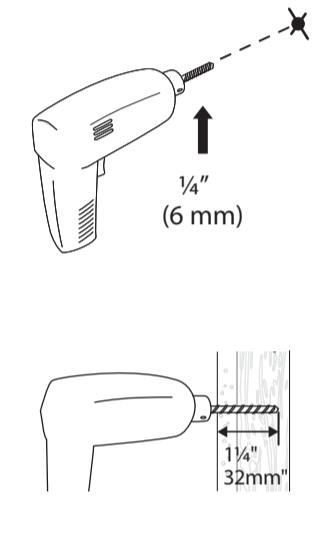
2.



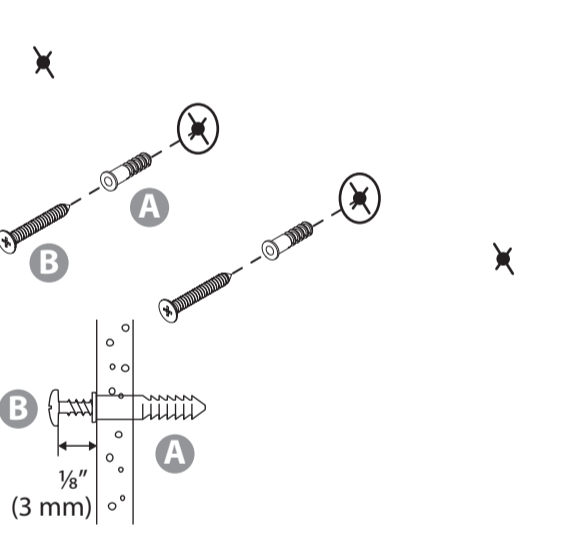
3.



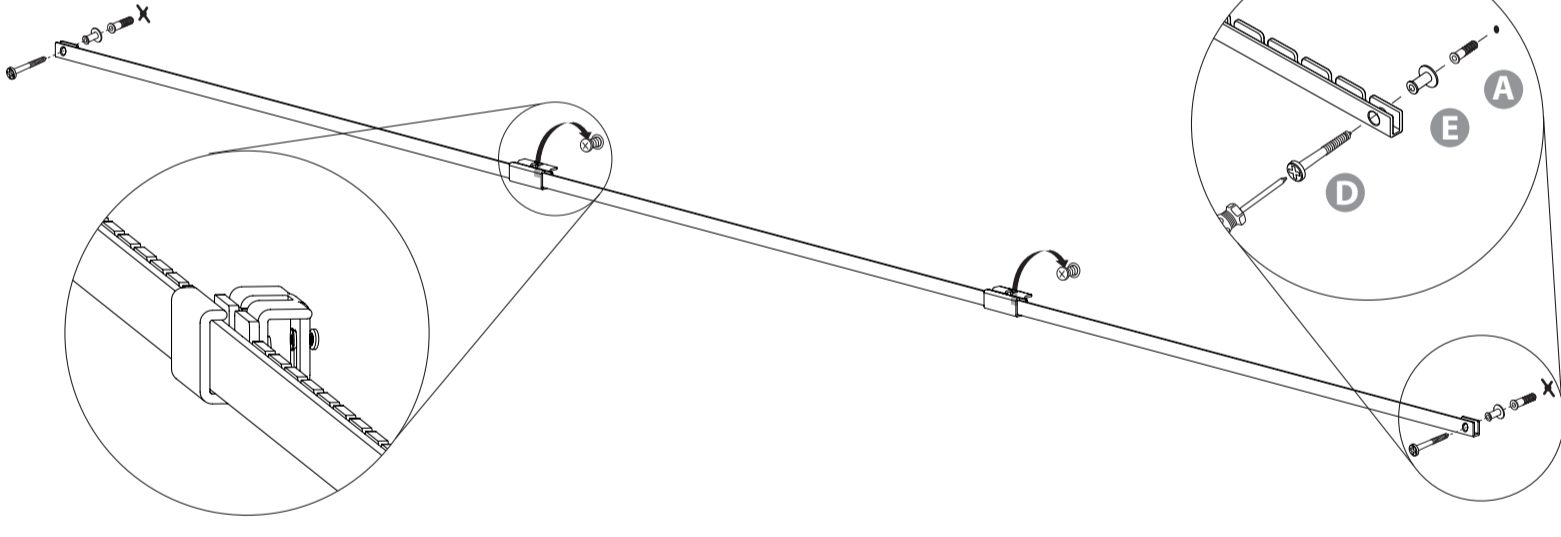
4.



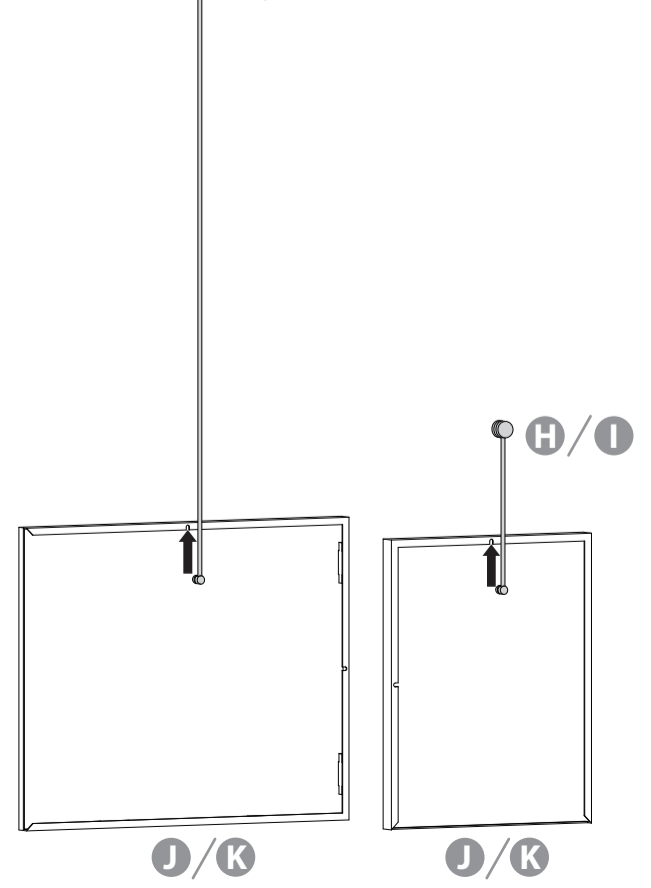
5.



6.



7.



8.

