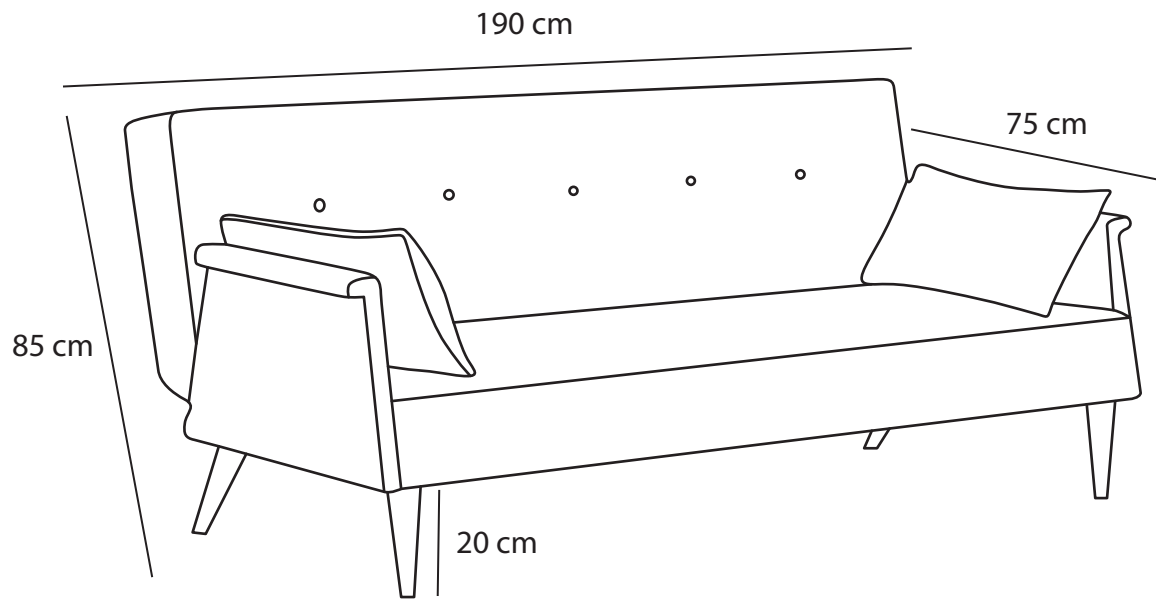


Navan Sofa Bed

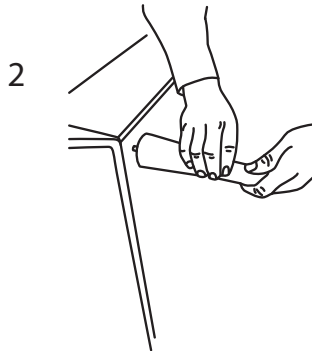
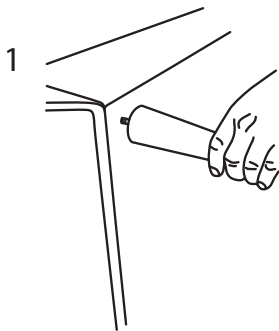


Navan Sofa Bed

Accessory List



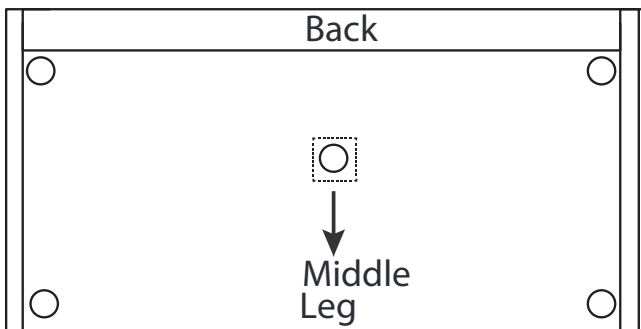
Middle Leg with Screw
5 pieces



There are holes under the sofa for the screws



Using your hands, screw on the legs under the sofa



4 legs will be mounted on the corners of the sofa
1 leg will be mounted on the middle part of the sofa