
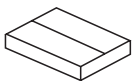


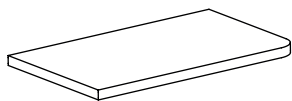


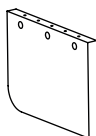


Kave® Cares

			
10 min	x2	x2	x1



A x1



B x2



C x6
M6X34MM



D x6
ø25MM



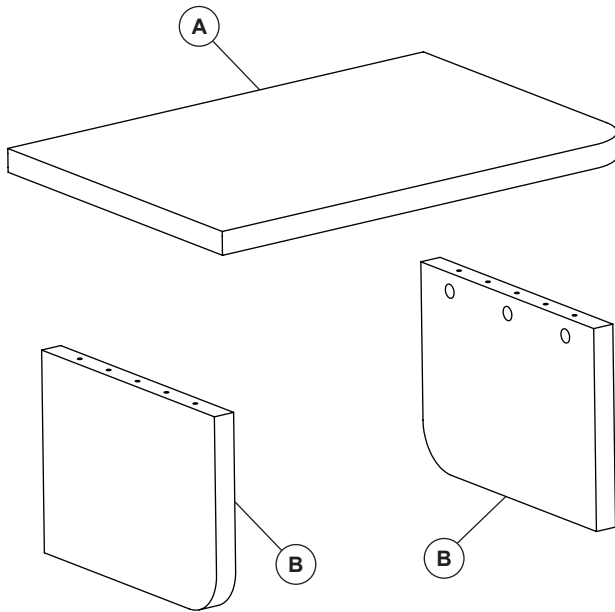
E x6
ø25MM



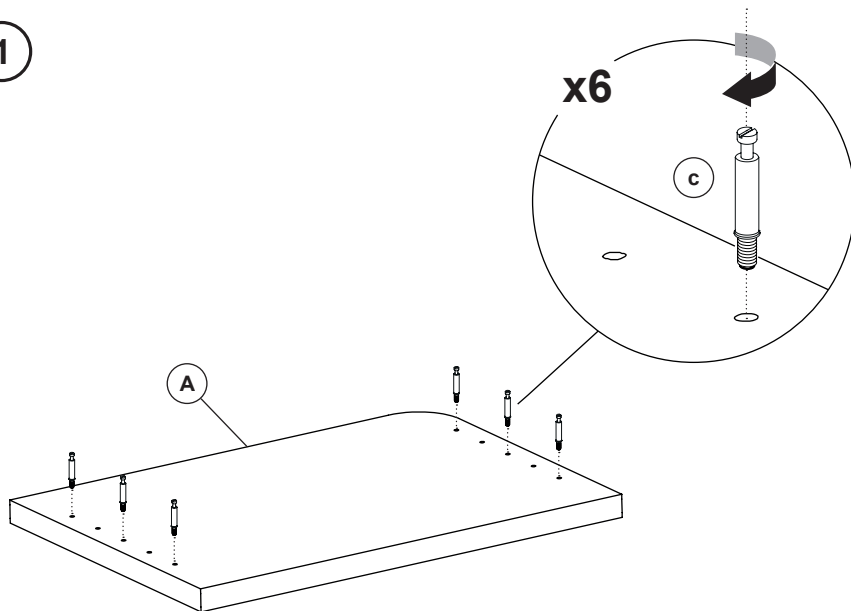
F x4
8x30MM



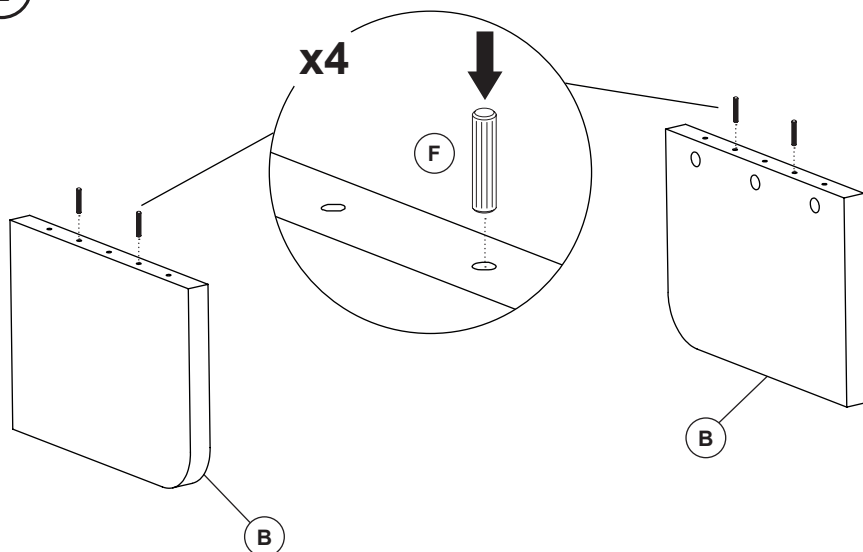
G x1
M6



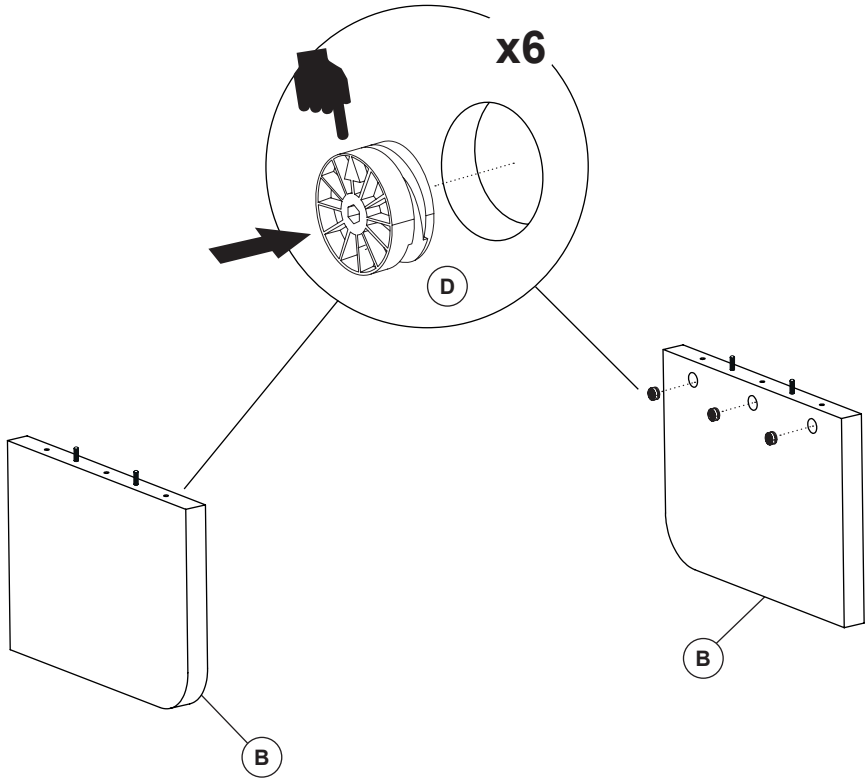
1



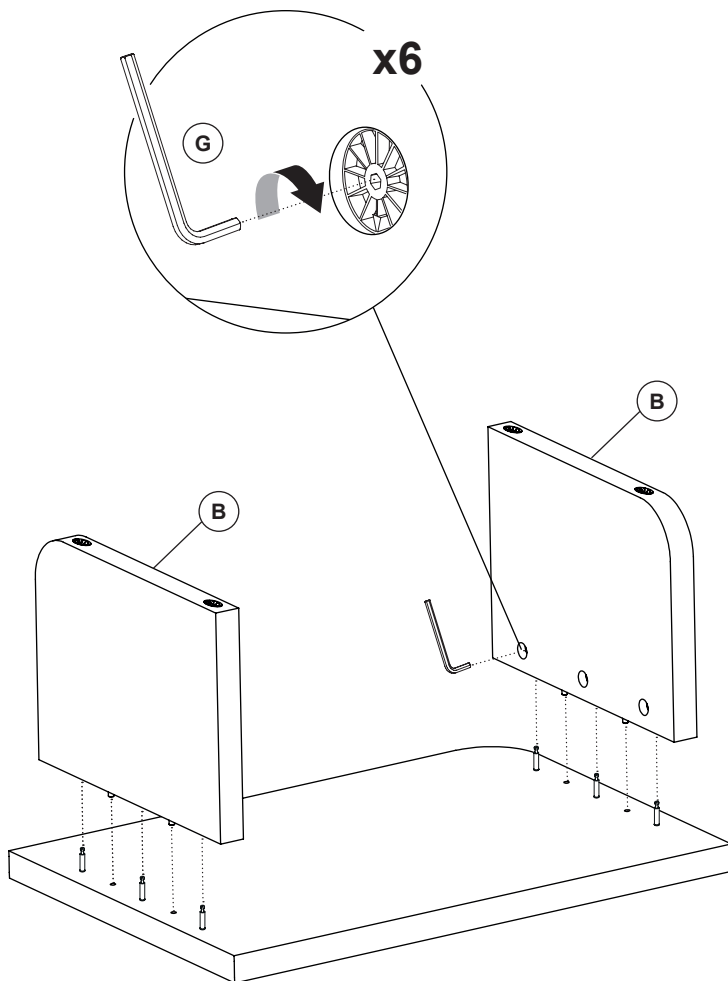
2



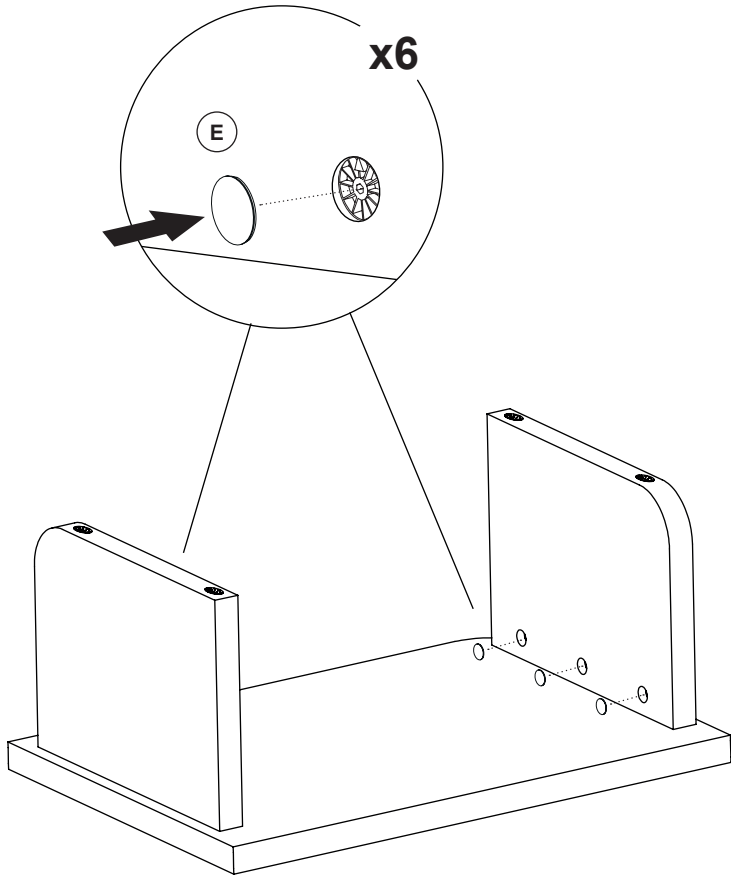
3

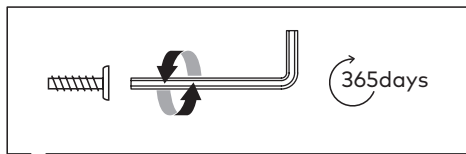
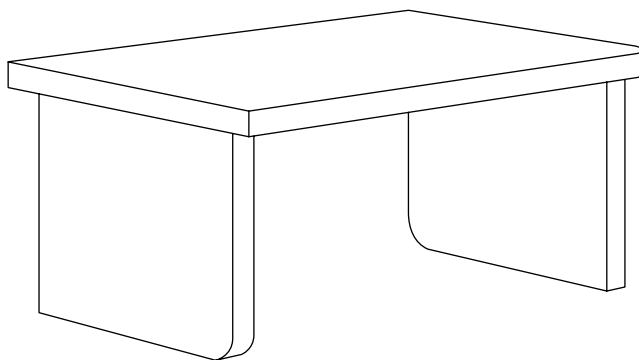


4



5







THAT'S ALL FOLKS

Share your style!

#KaveHome

