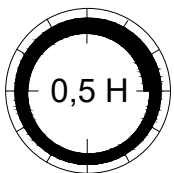
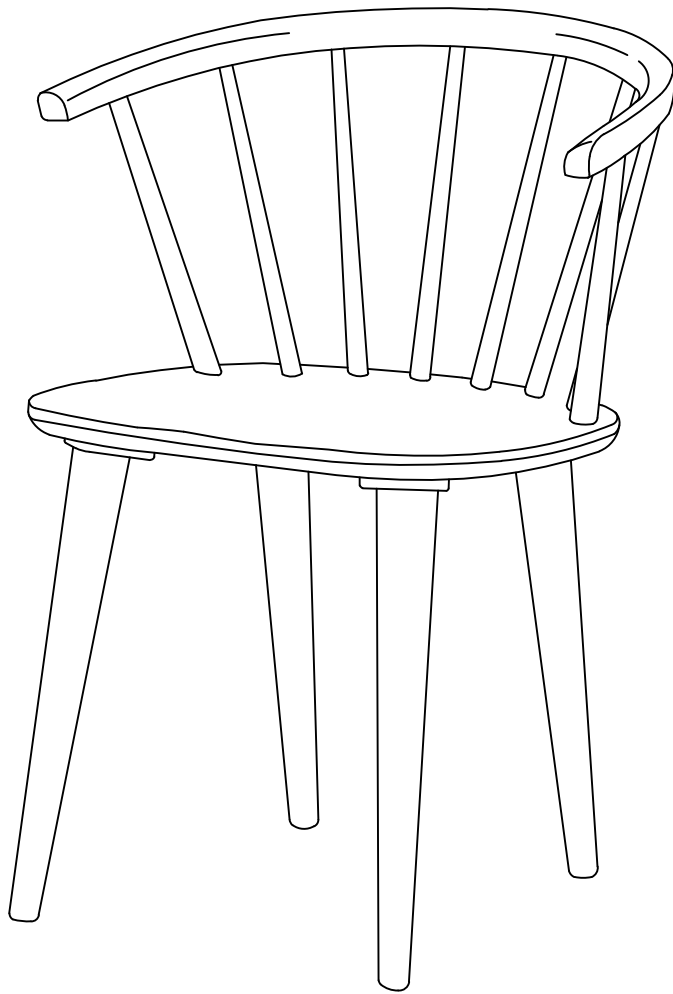
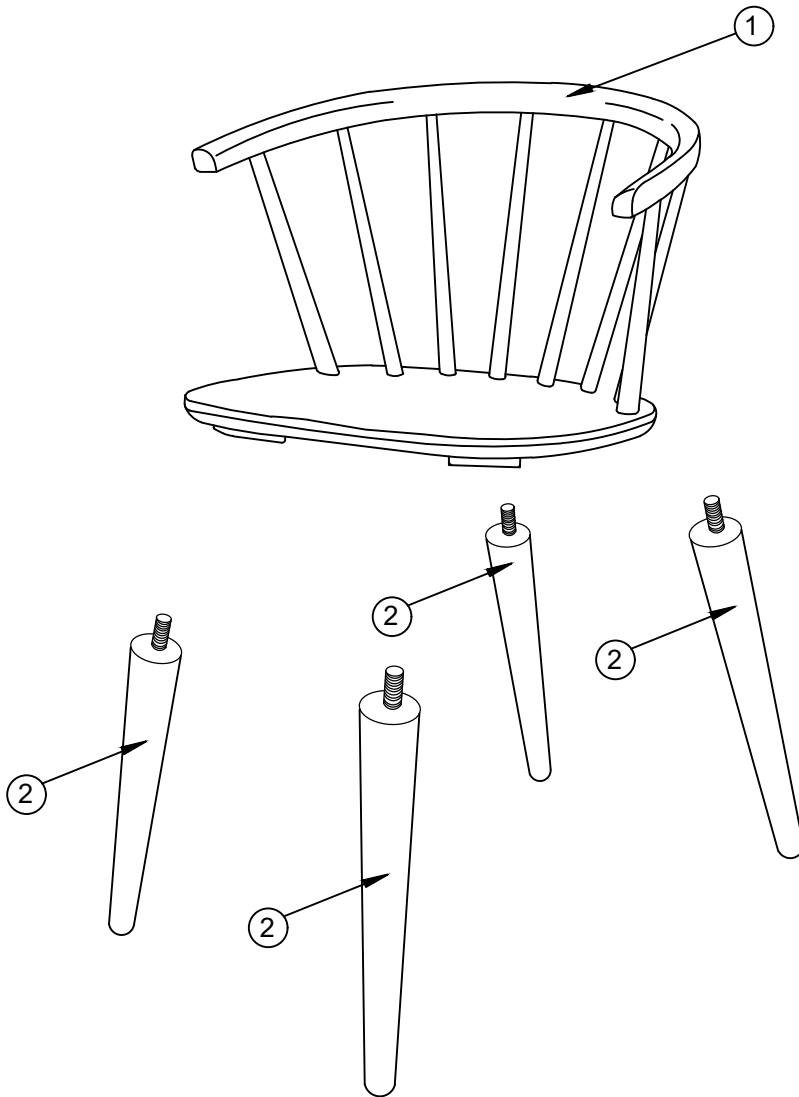


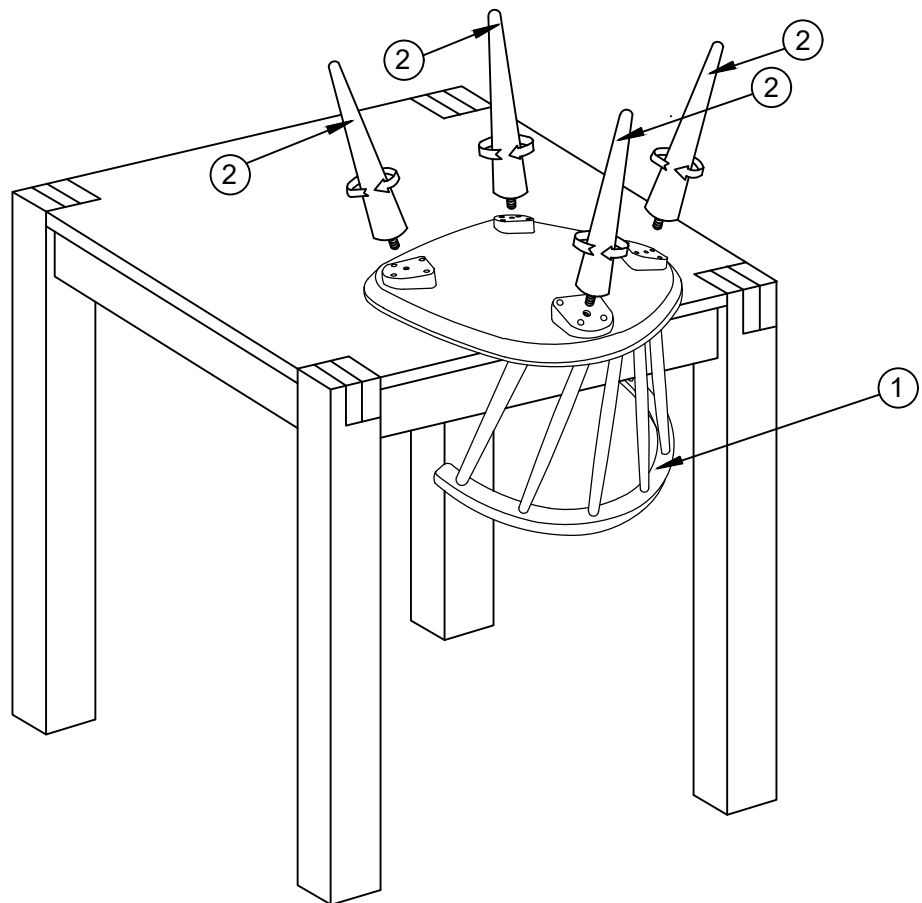
# IDA



			✓
①	1	510x515x360mm	
②	4	415x48x30mm	



1



2

