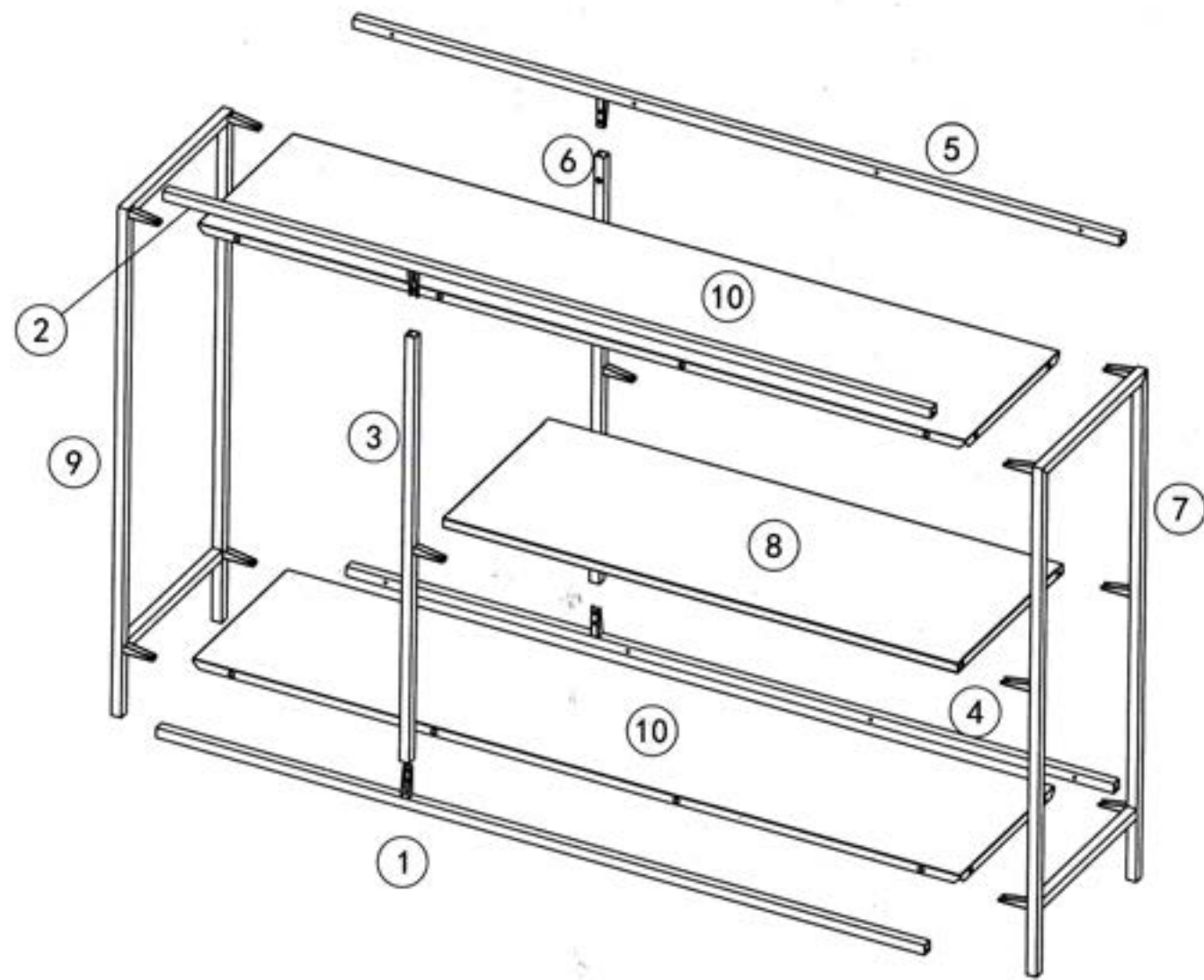


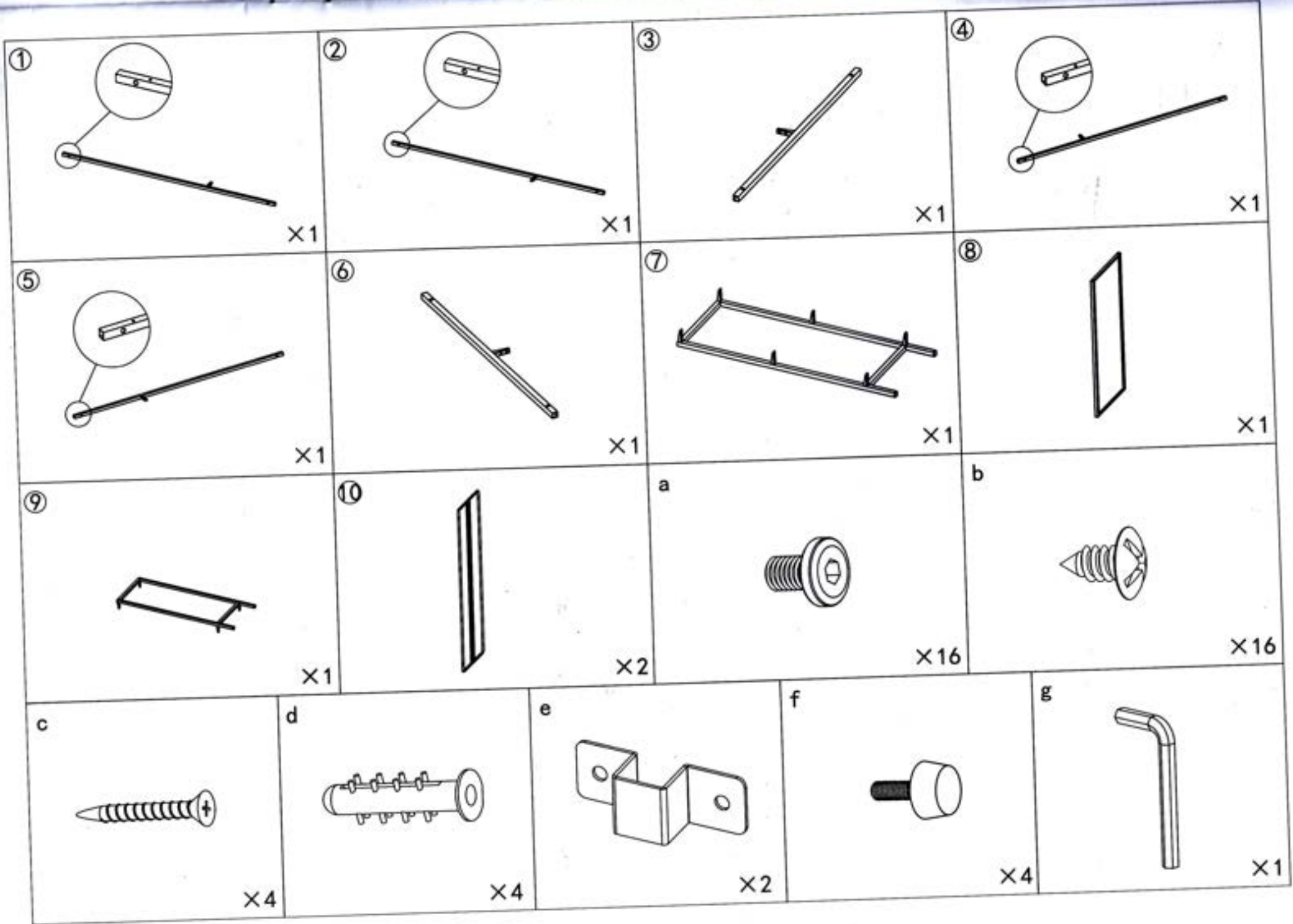
2406605 / 2406606

ASSEMBLY INSTRUCTION

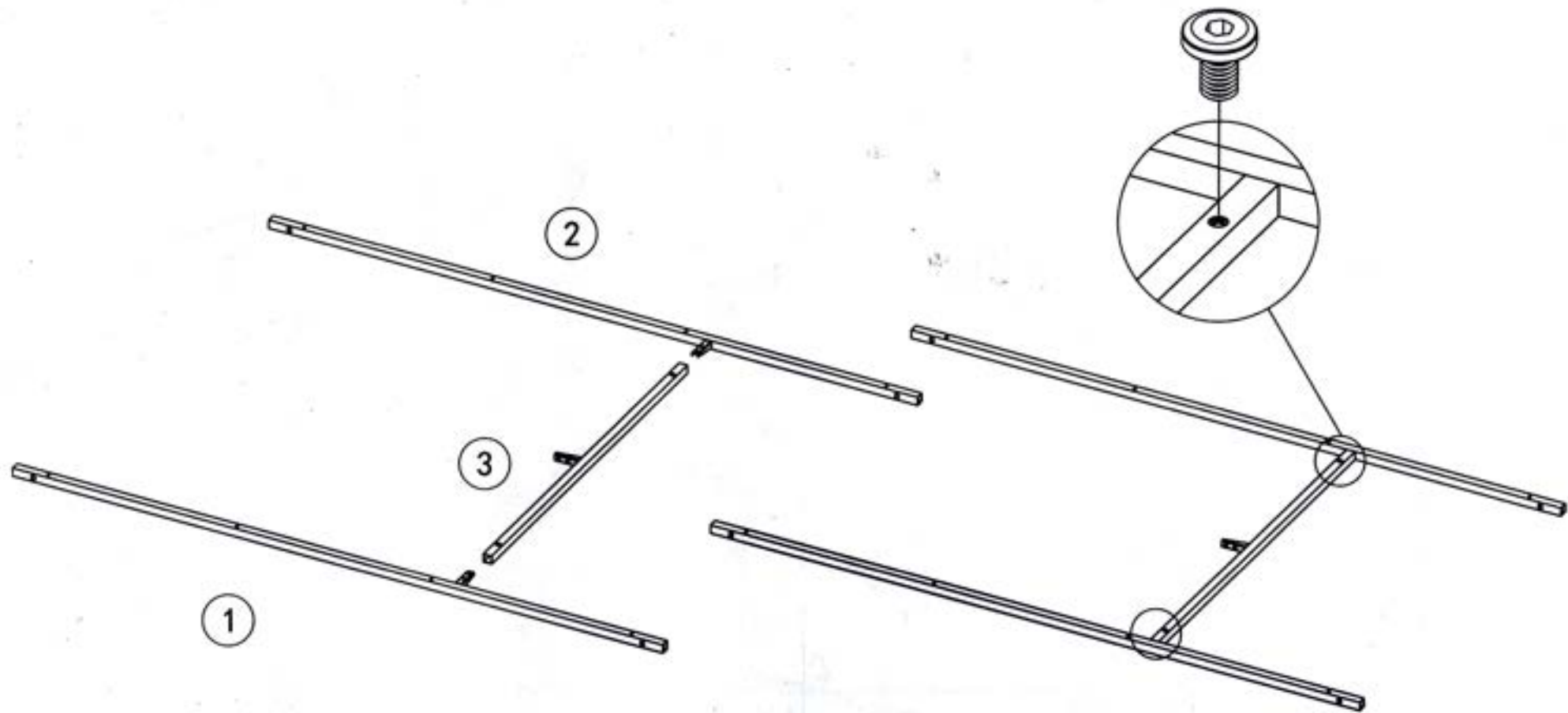
<Before assembling, read all the instruction>





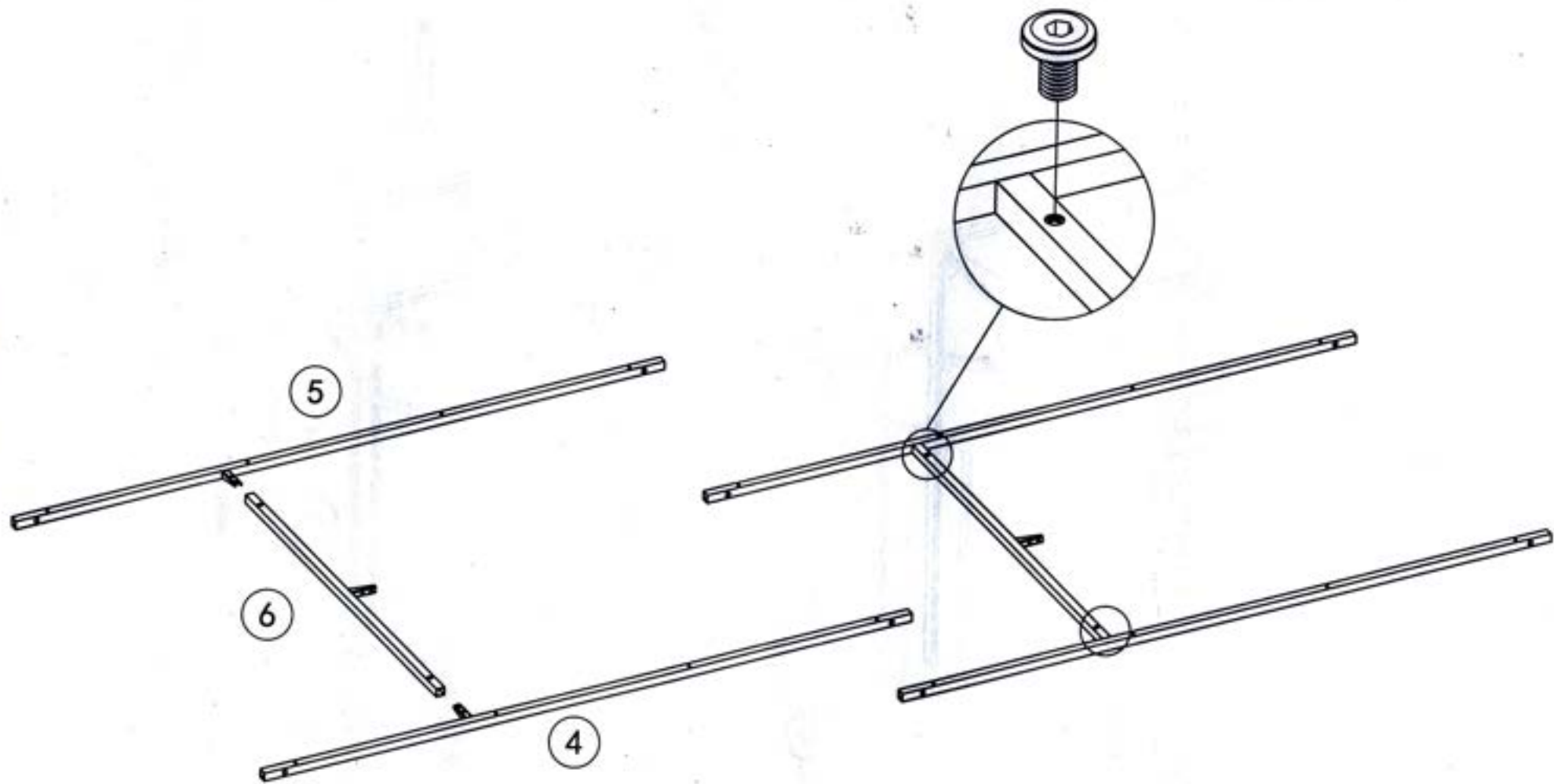


1



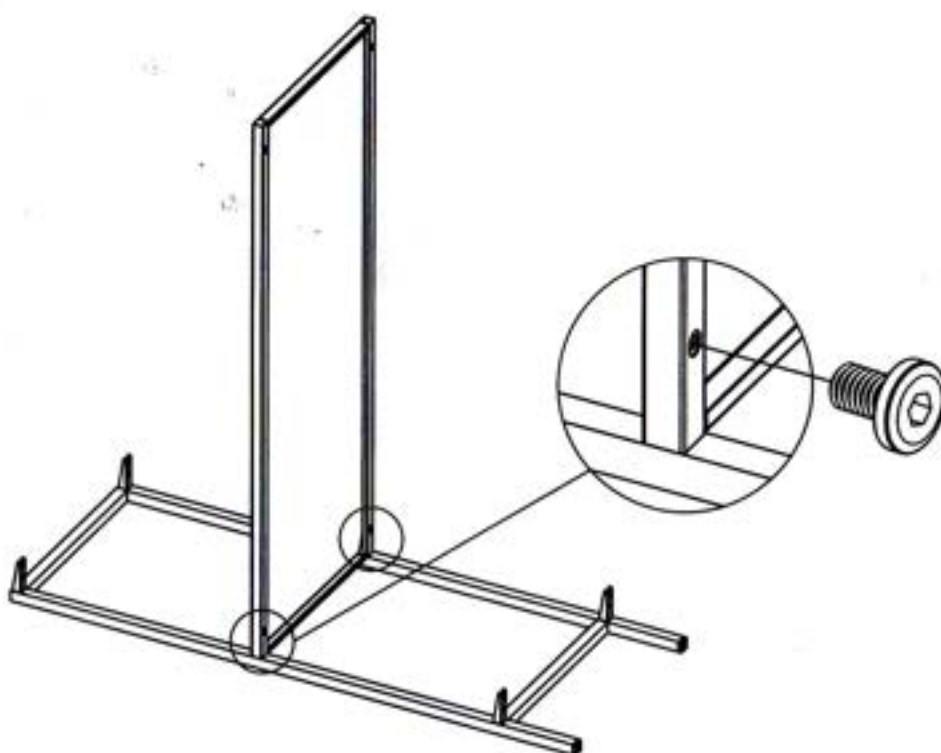
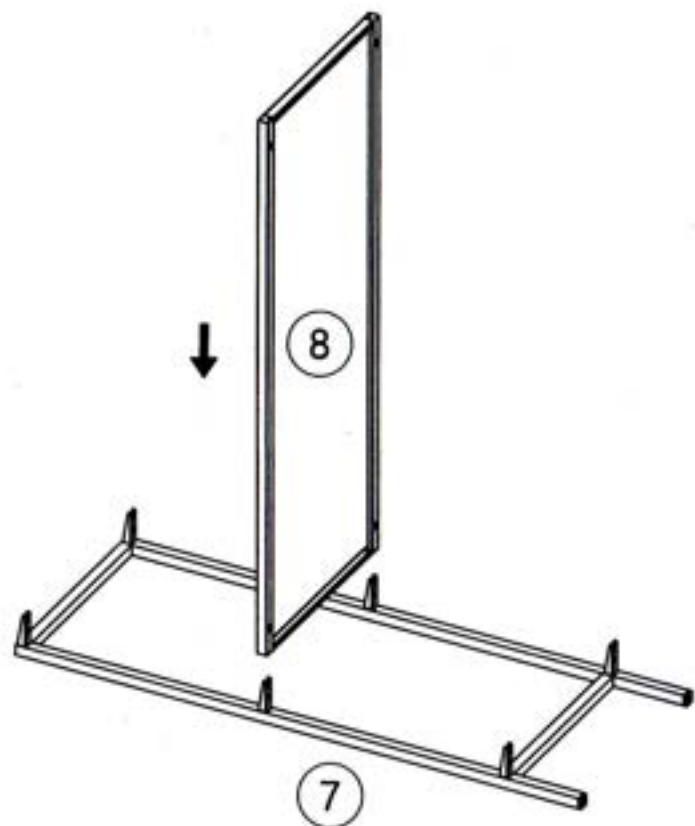
 a X 2

2

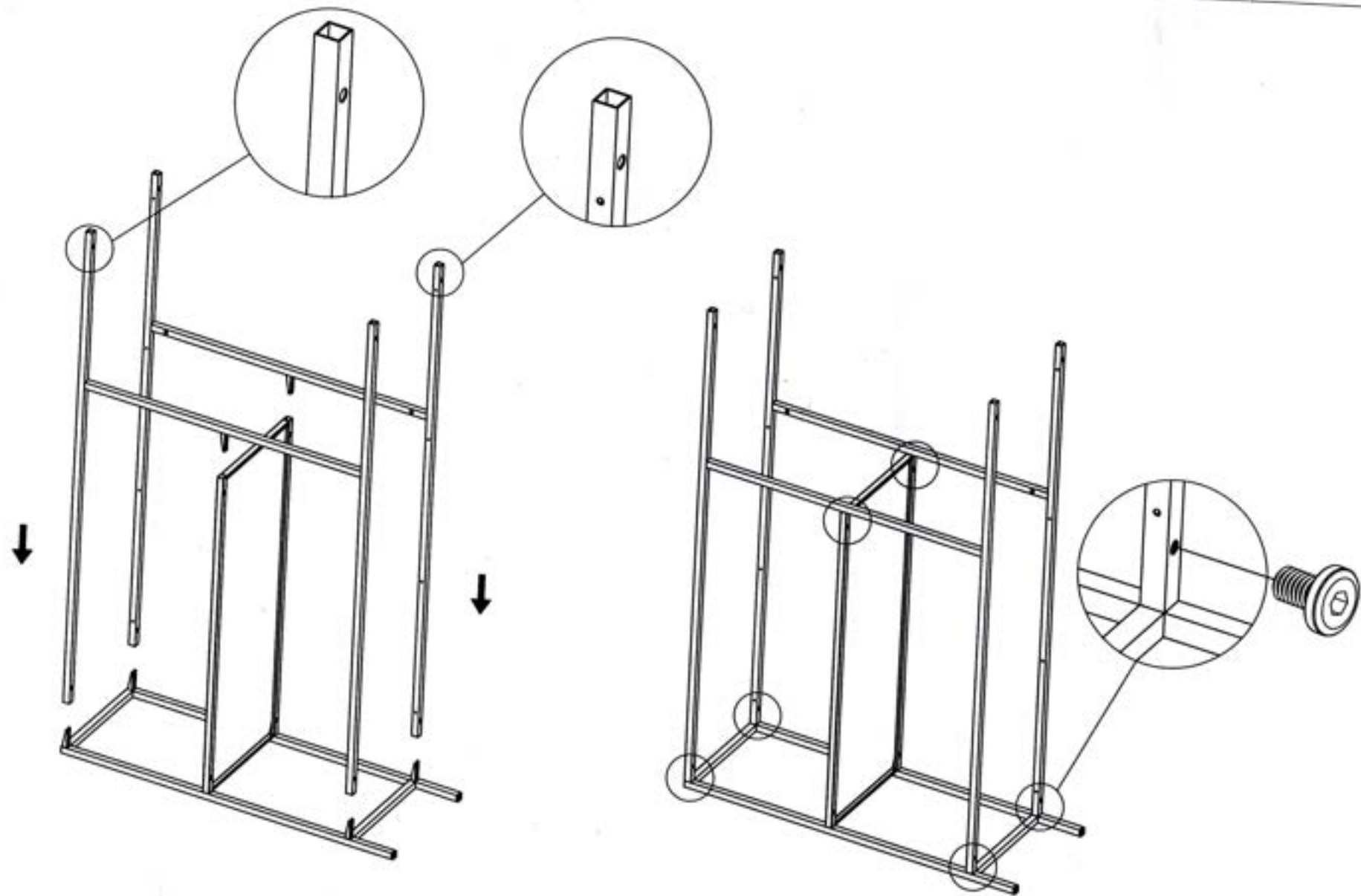


a X 2

3

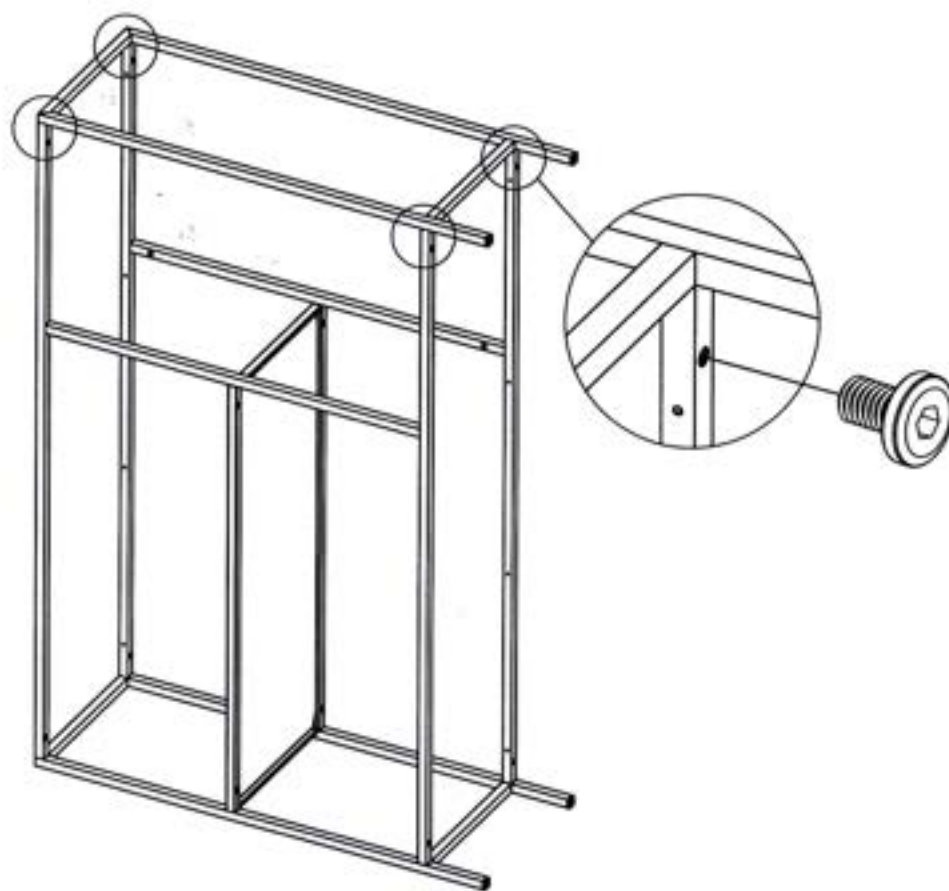


4



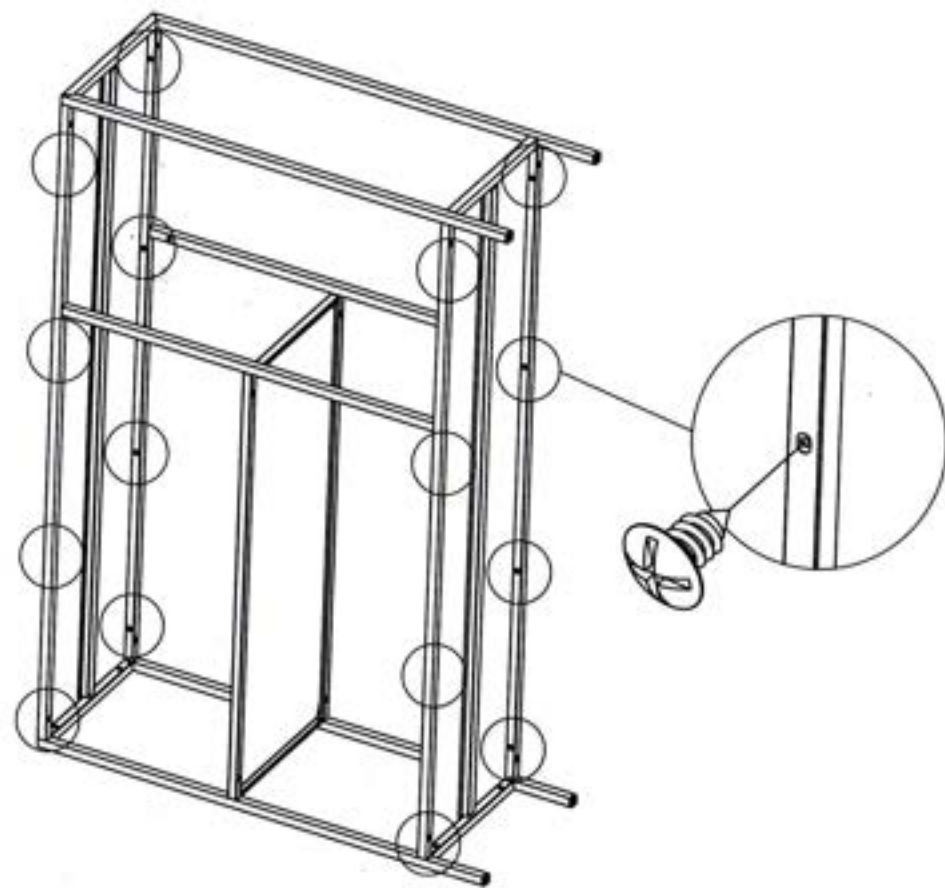
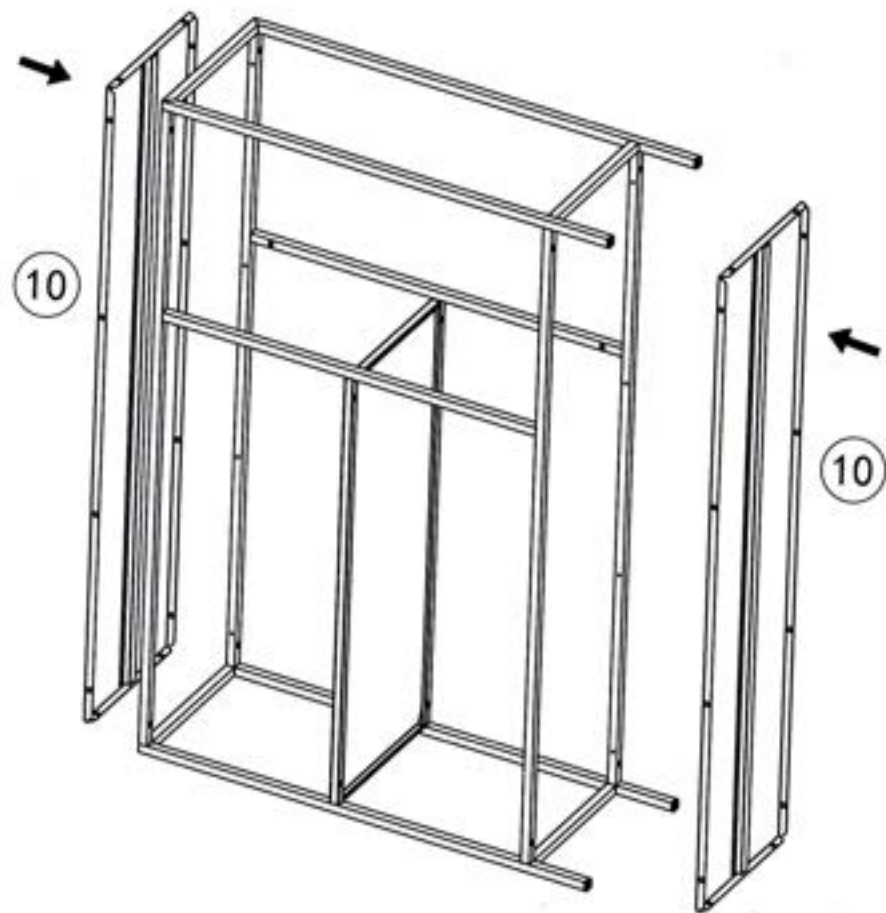
aX6

5

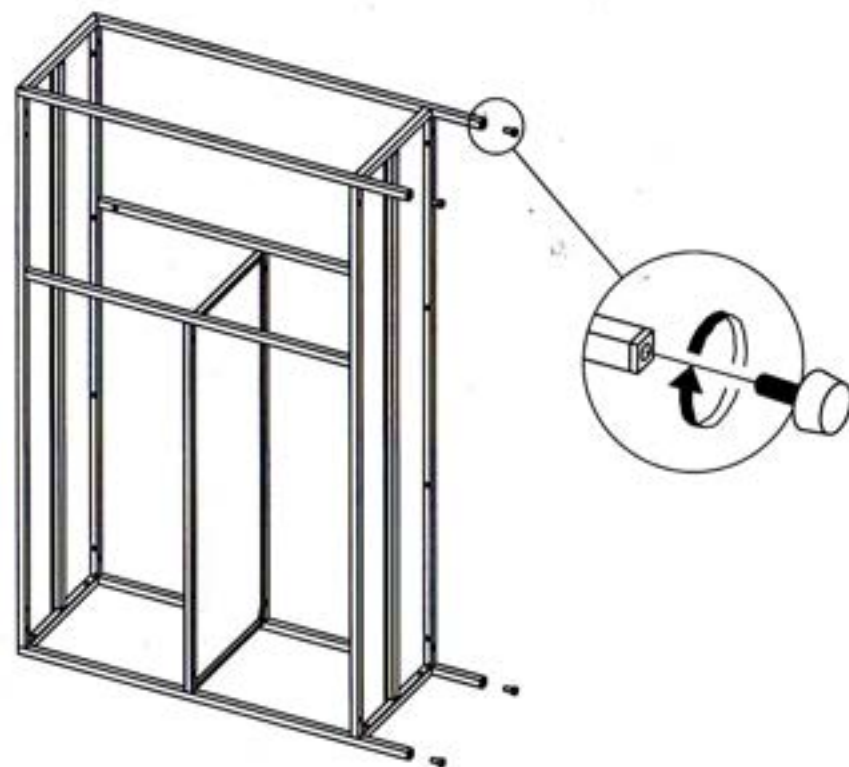


a X 4

6

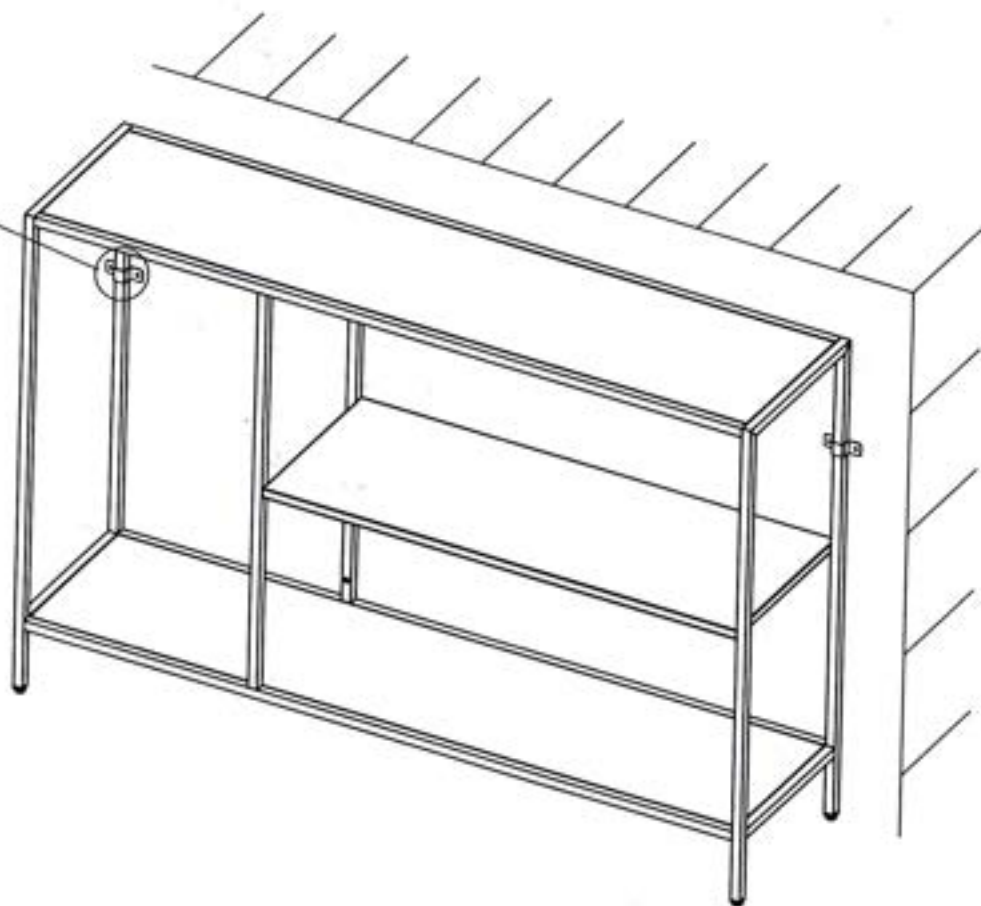
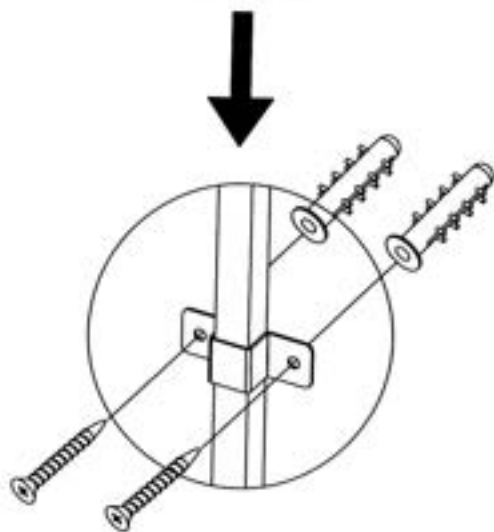
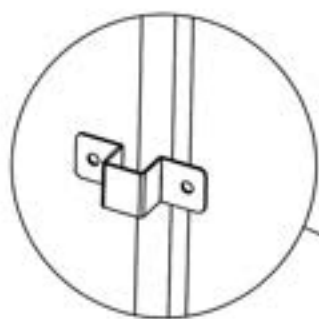


7



 f X 4

8



SAFETY NOTICE PREVENT FURNITURE TIP OVER ACCIDENTS

Free Standing Furniture above 600mm in height must be securely attached to the wall to prevent it from tipping over and causing injury. Restraints when installed properly could provide protection against the unexpected tipping of furniture due to use. Ensure the anti-tipping hardware is suitable for the material your wall is constructed of.

If in doubt consult a qualified trades person.

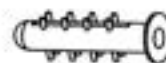
Always place the heaviest items in the lowest sections.

Do not place heavy objects on top of this item.

Never allow children to climb or hang on the shelf.



c X 4



d X 4



e X 2