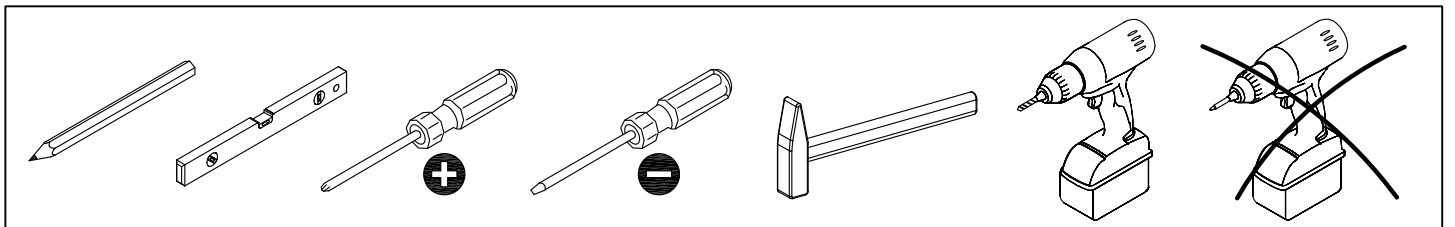
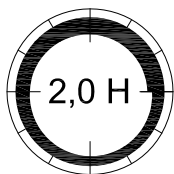
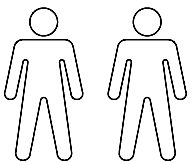
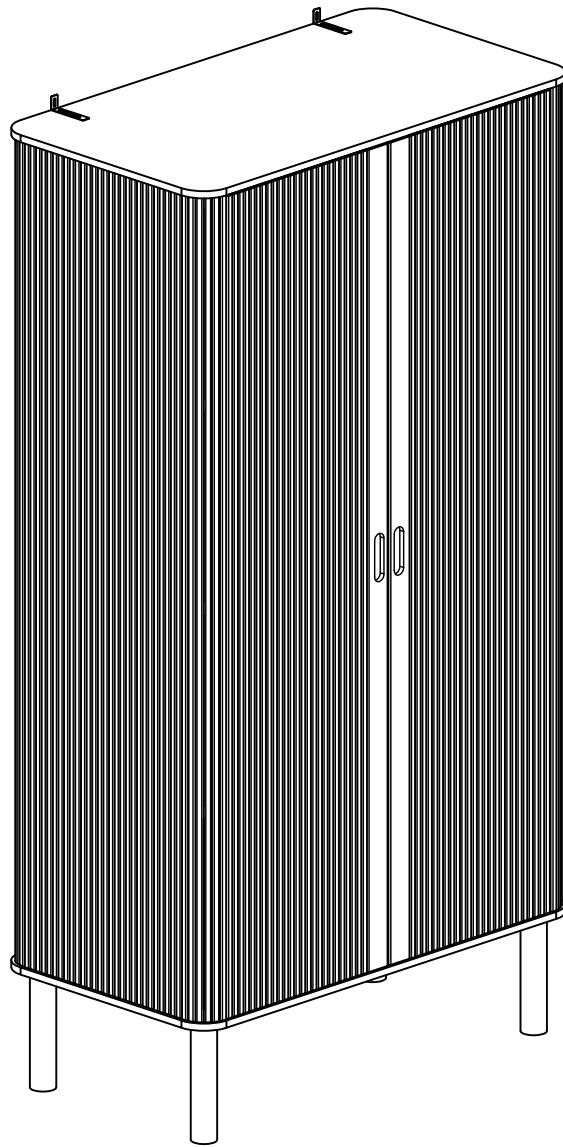
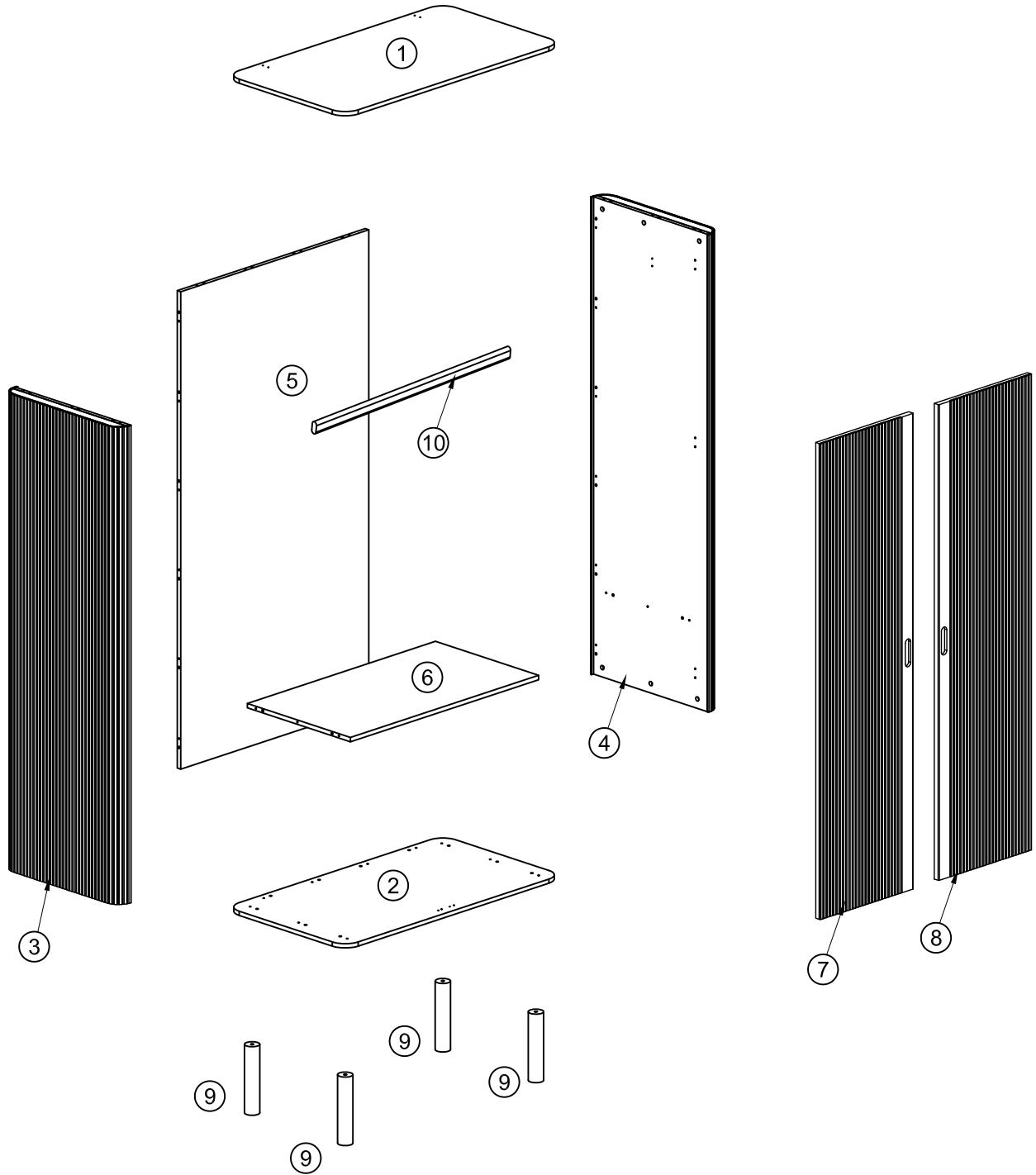



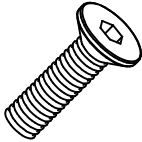
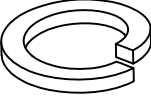


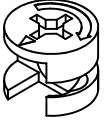
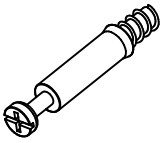
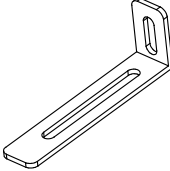
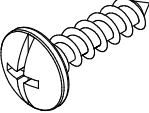
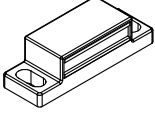
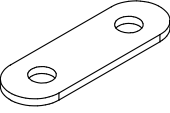
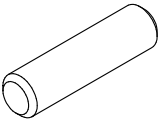

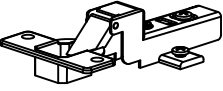
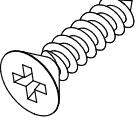

# LANGLEY



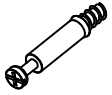
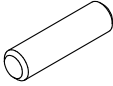
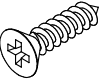

			✓
①	1	1001 x 550 x 15	
②	1	1001 x 550 x 15	
③	1	1720 x 535 x 59	
④	1	1720 x 535 x 59	
⑤	1	1720 x 869 x 16	

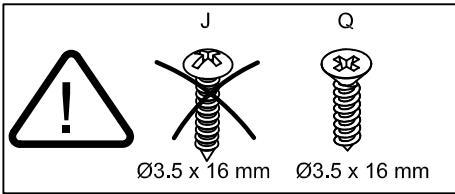
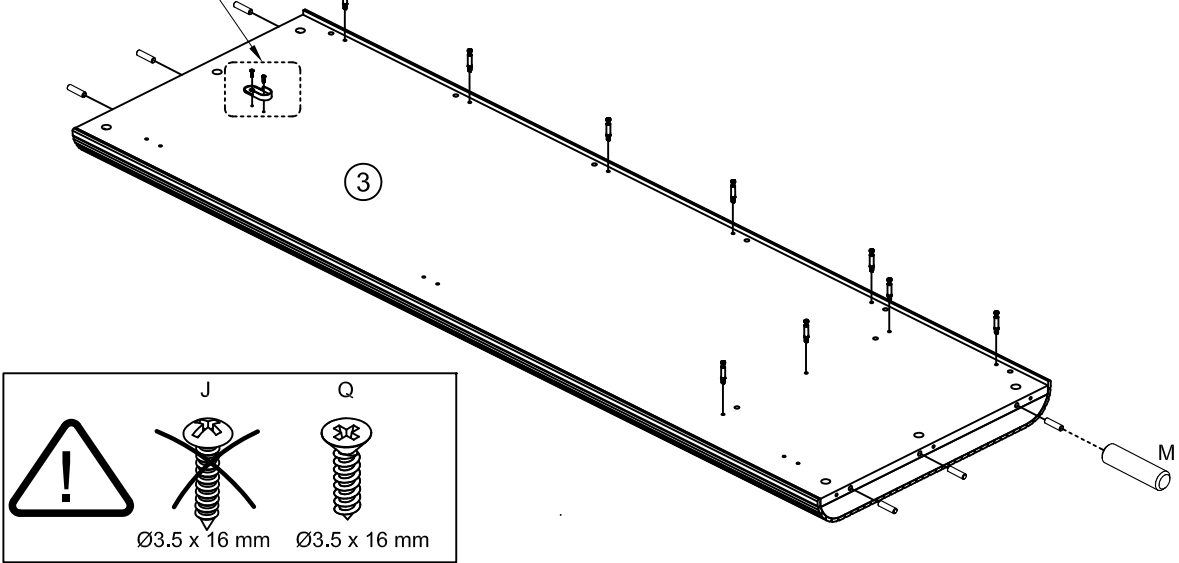
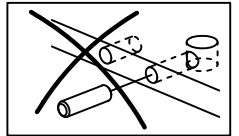
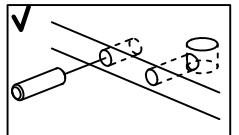
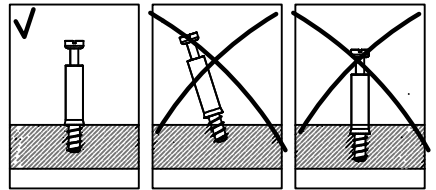
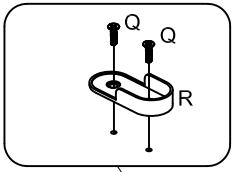
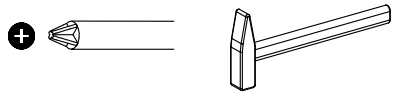
			✓
⑥	1	869 x 476 x 16	
⑦	1	1714 x 430 x 20	
⑧	1	1714 x 430 x 20	
⑨	4	247 x Ø50	
⑩	1	861 x 30 x 15	



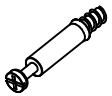
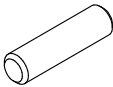
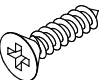

<p>A x 16</p>  <p>M6 x 15 mm</p>	<p>B x 4</p>  <p>M6 x 20 mm</p>	<p>C x 16</p>  <p>Ø6 mm</p>	<p>D x 1</p>  <p>4 mm</p>	<p>E x 4</p>  <p>75 x 75 x 3 mm</p>
<p>F x 38</p>  <p>Ø15 x 12 mm</p>	<p>G x 38</p>  <p>Ø6 x 44 mm</p>	<p>H x 2</p>  <p>75 x 15 x 25 mm</p>	<p>J x 4</p>  <p>Ø3.5 x 16 mm</p>	<p>K x 4</p>  <p>46 x 16 x 13 mm</p>
<p>L x 4</p>  <p>44 x 12 mm</p>	<p>M x 36</p>  <p>Ø8 x 30 mm</p>	<p>N x 12</p>  <p>Ø20 mm</p>	<p>P x 6</p>  <p>Ø35/FK17</p>	<p>Q x 32</p>  <p>Ø3.5 x 16 mm</p>
<p>R x 2</p>  <p>44 x 19 x 12 mm</p>				

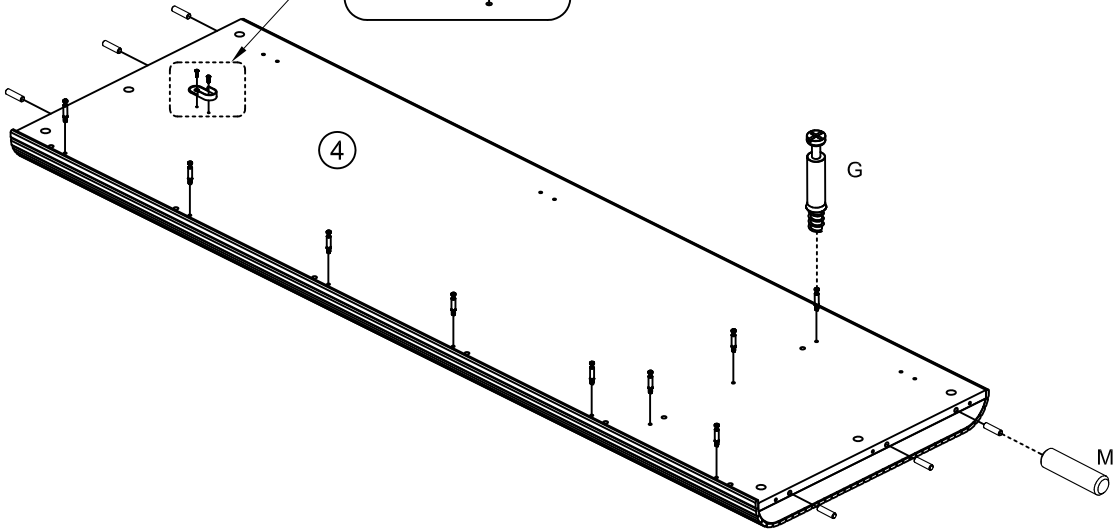
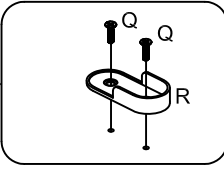
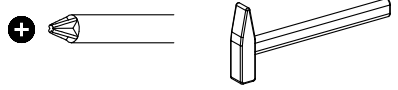
# 1

G x 9  Ø6 x 44 mm	M x 6  Ø8 x 30 mm	Q x 2  Ø3.5 x 16 mm	R x 1  44 x 19 x 12 mm
--	--	--	---

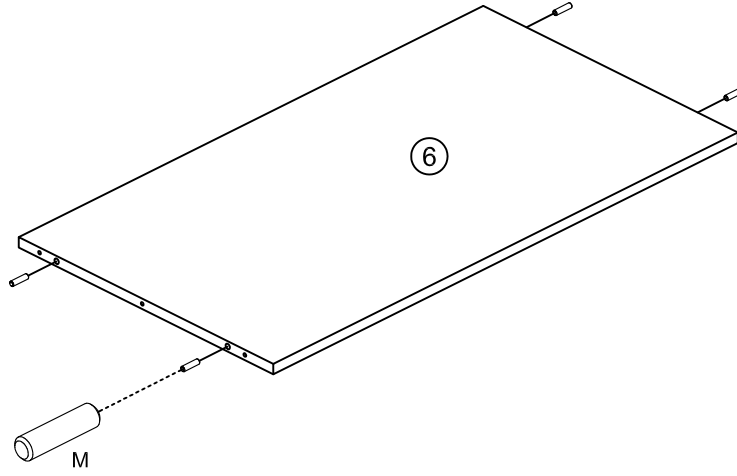
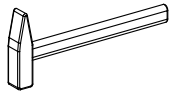
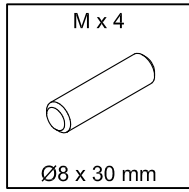


# 2

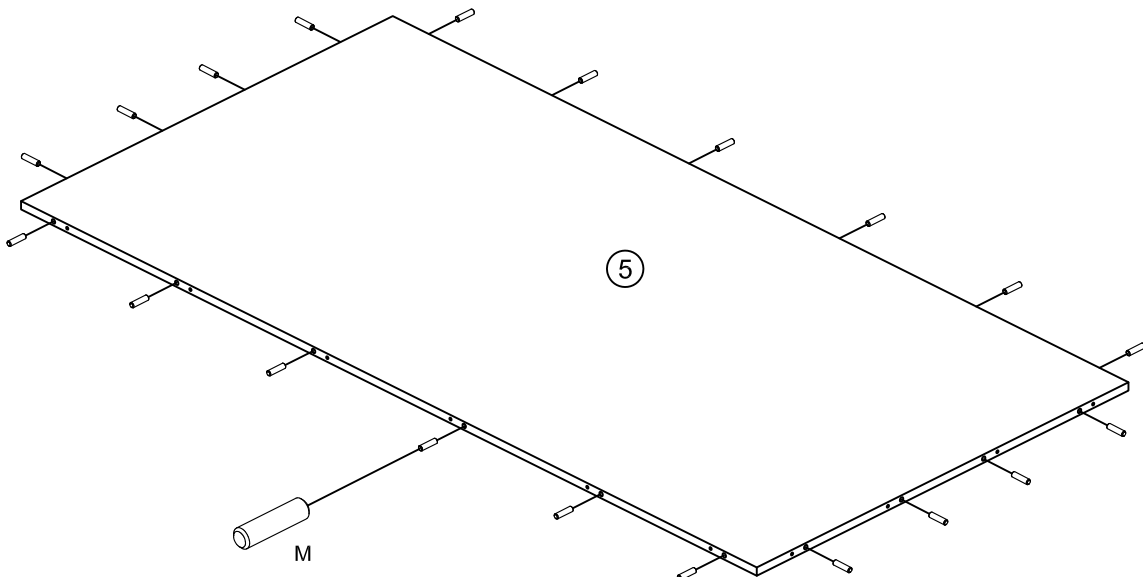
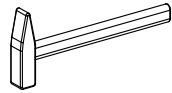
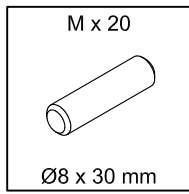
G x 9  Ø6 x 44 mm	M x 6  Ø8 x 30 mm	Q x 2  Ø3.5 x 16 mm	R x 1  44 x 19 x 12 mm
--	--	--	---



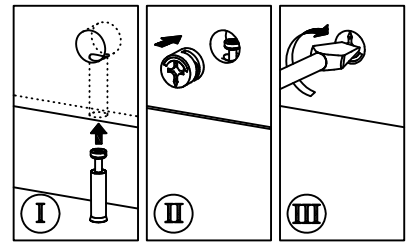
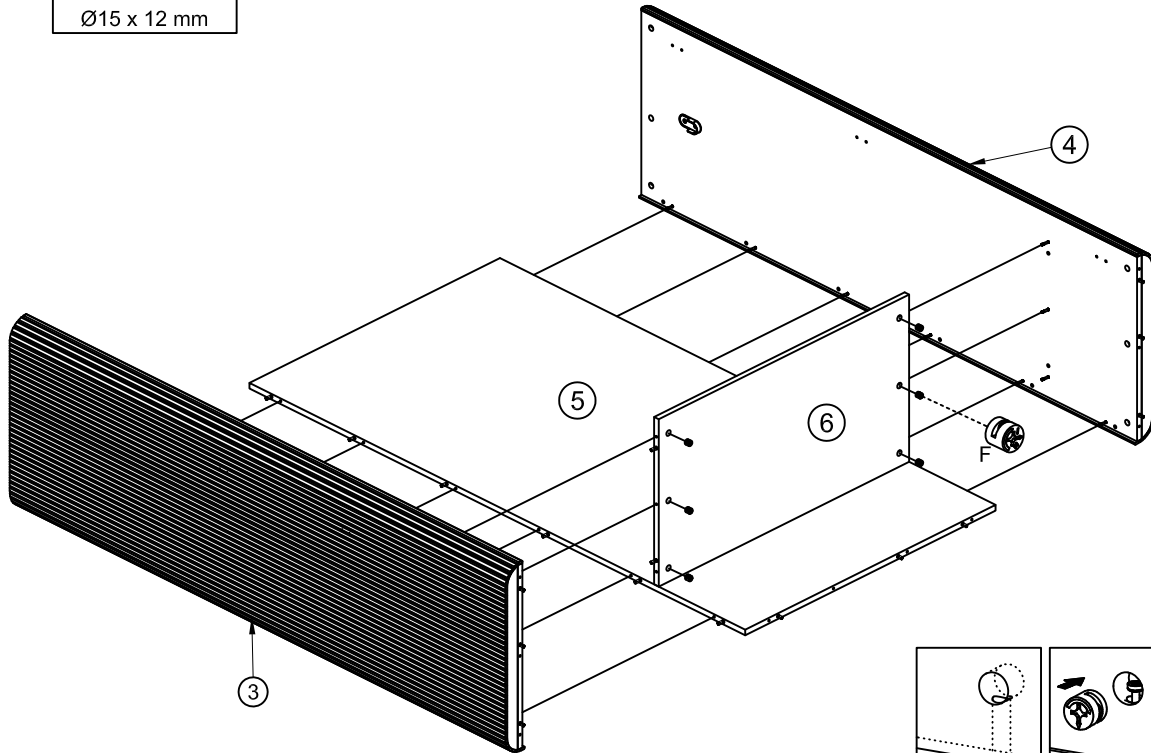
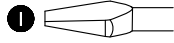
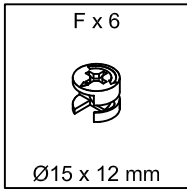
# 3



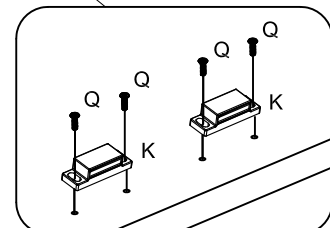
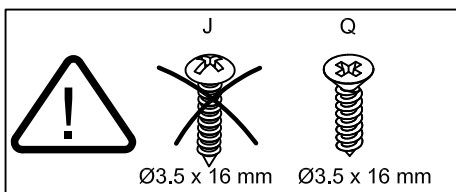
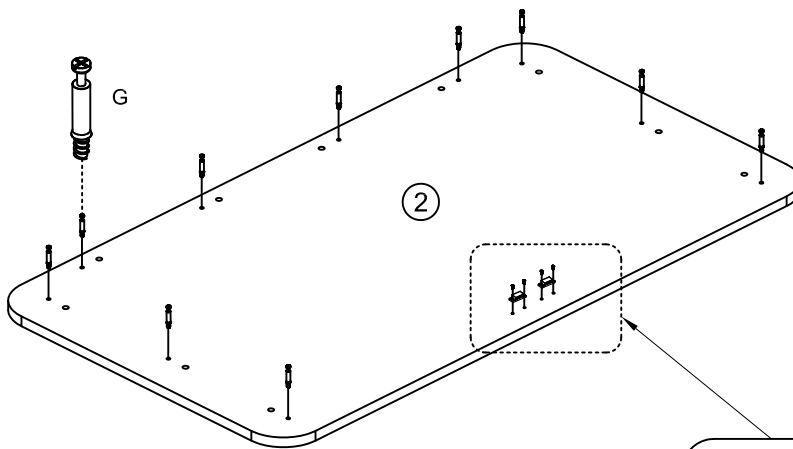
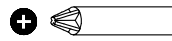
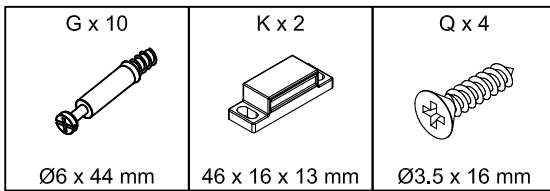
# 4



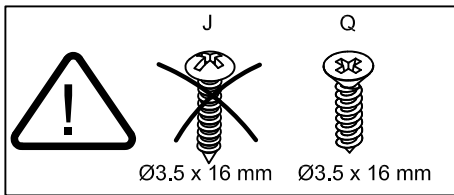
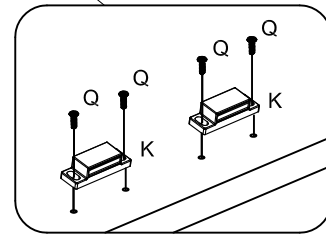
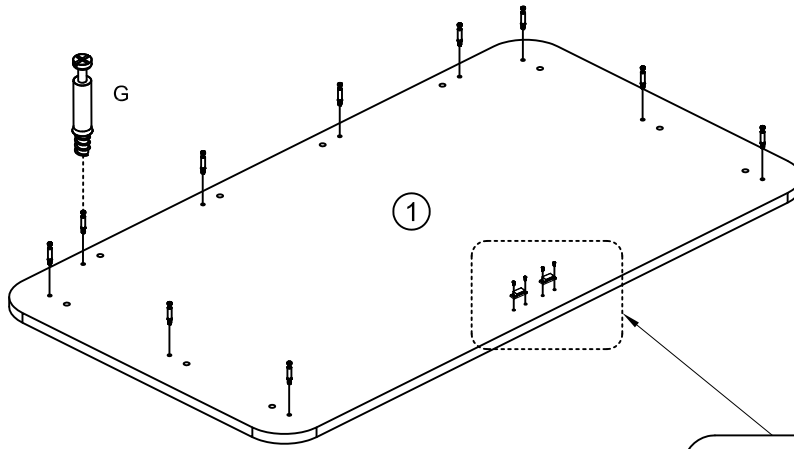
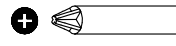
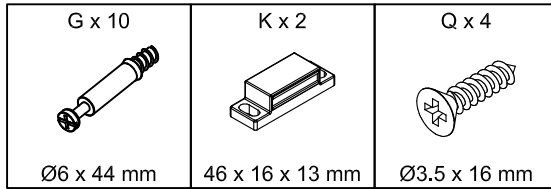
# 5



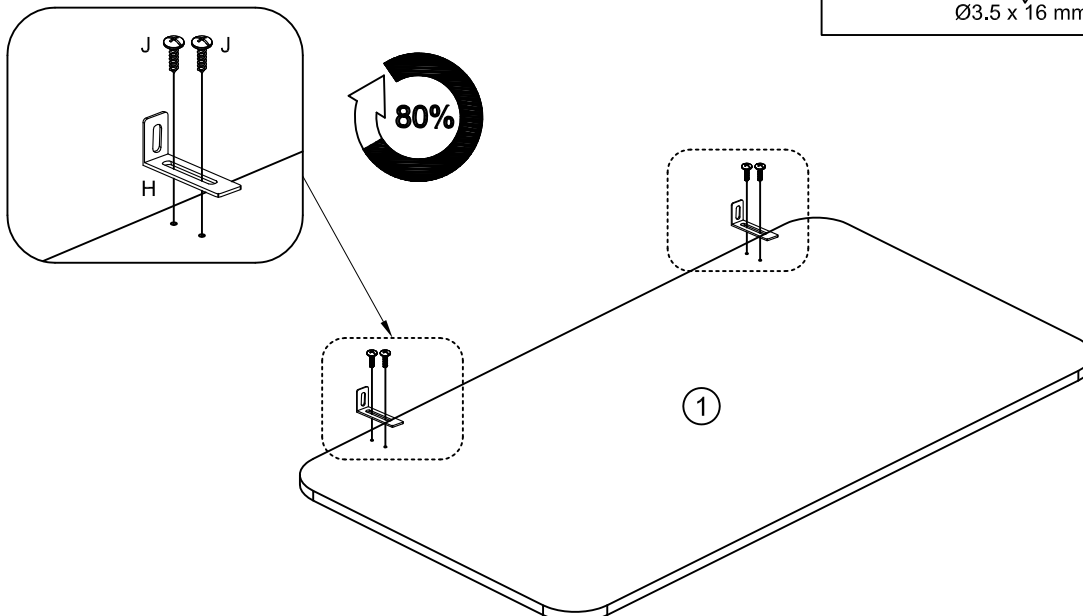
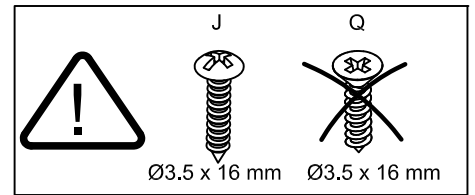
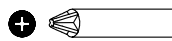
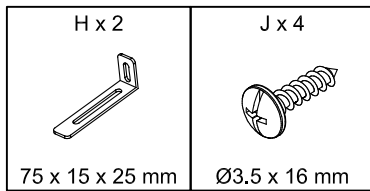
# 6



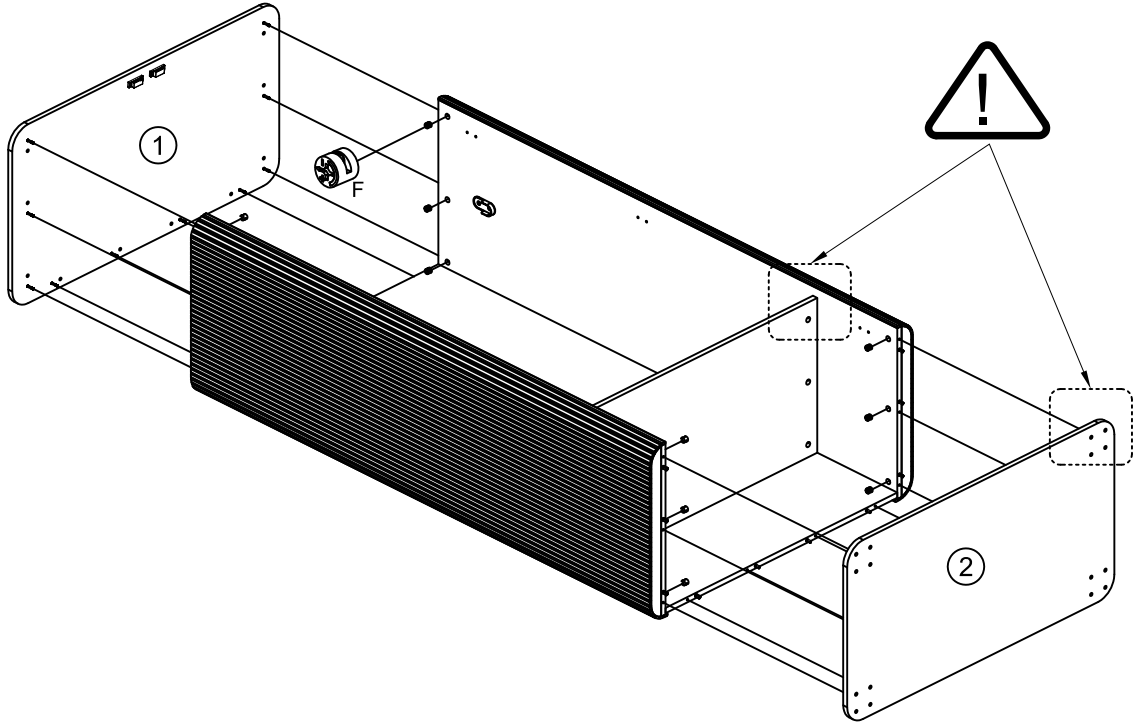
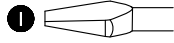
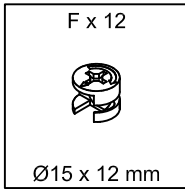
# 7



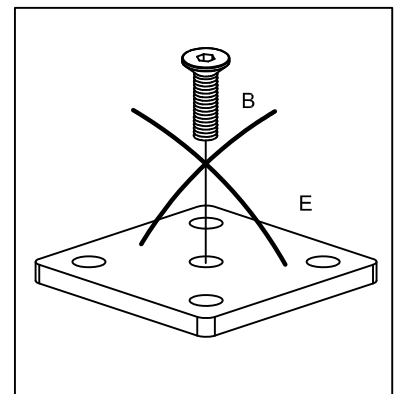
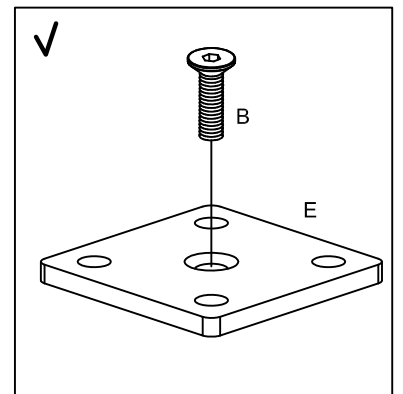
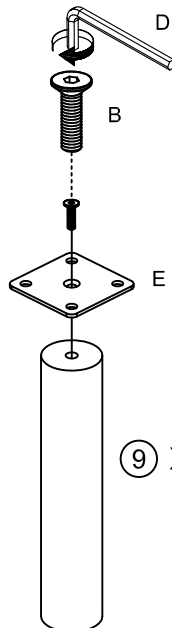
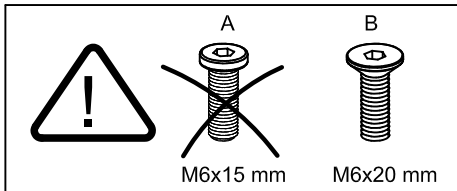
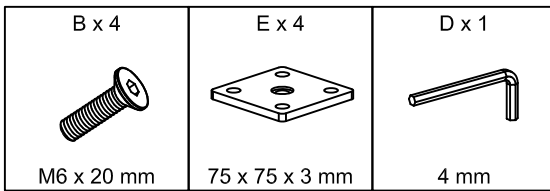
# 8



# 9


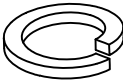



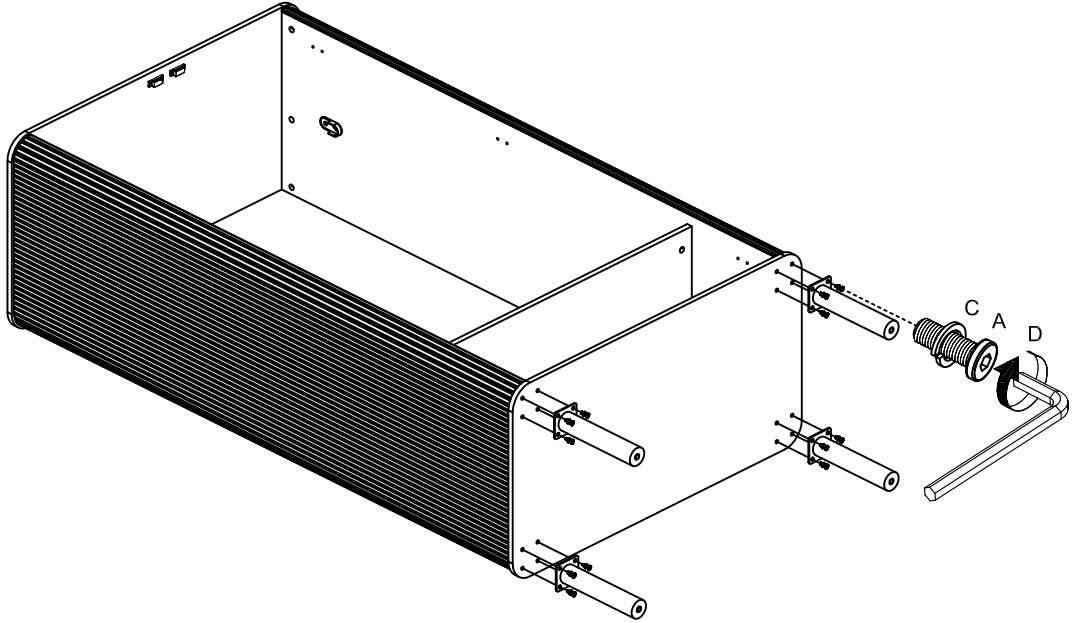
# 10



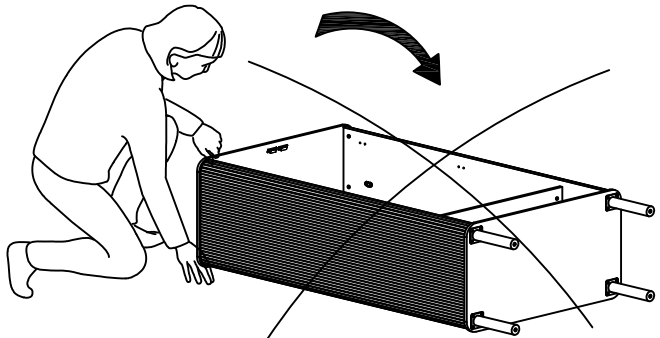
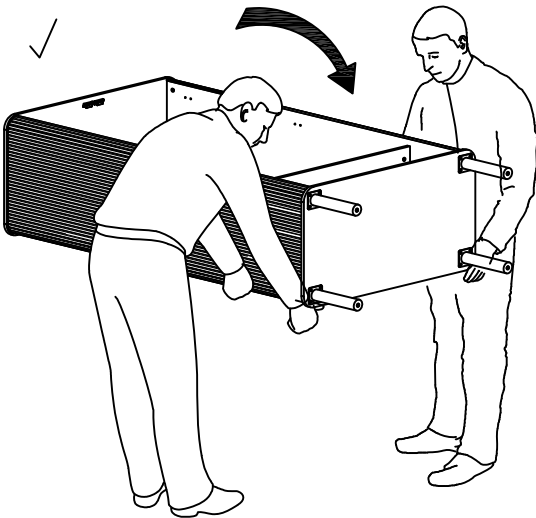


# 11

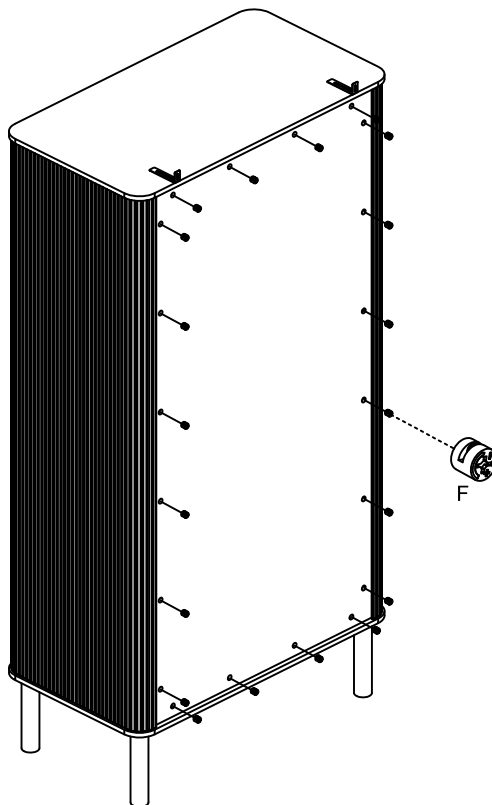
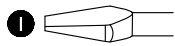
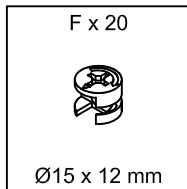
A x 16  M6 x 15 mm	C x 16  Ø6 mm	D x 1  4 mm
---	--	--



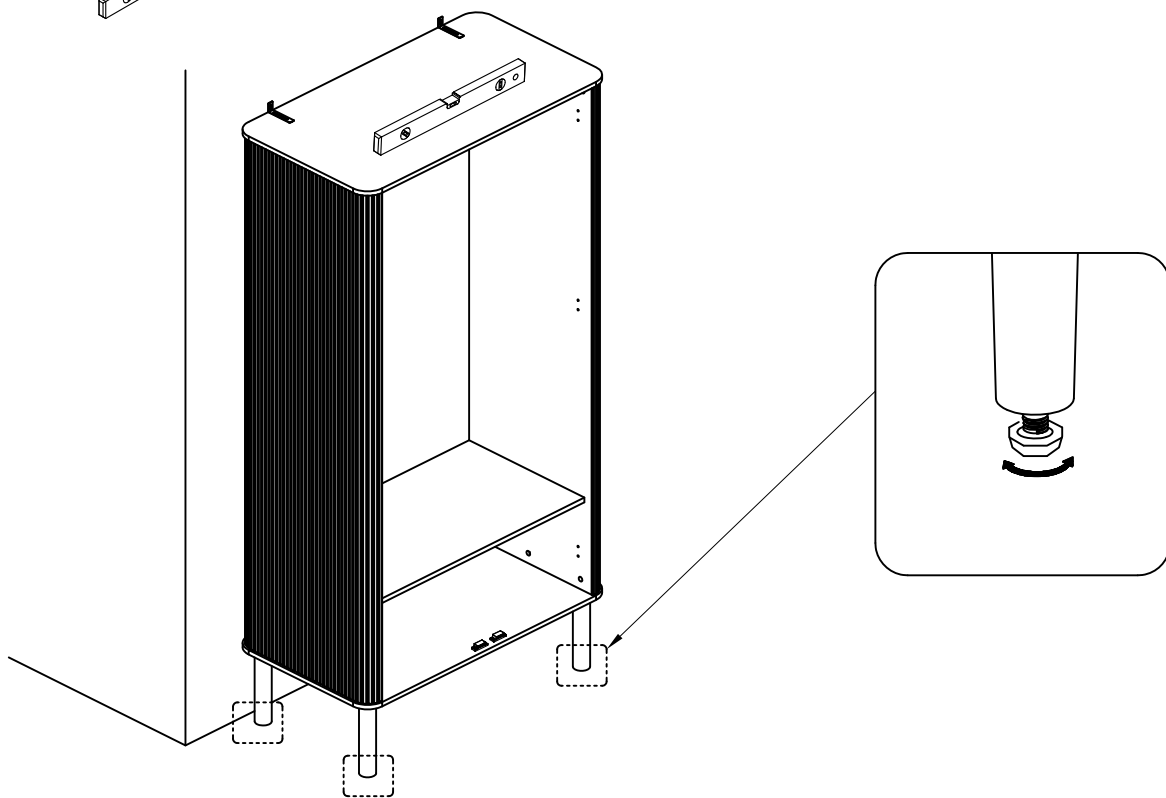
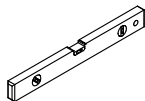
# 12



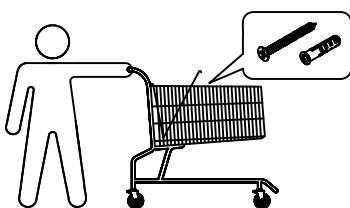
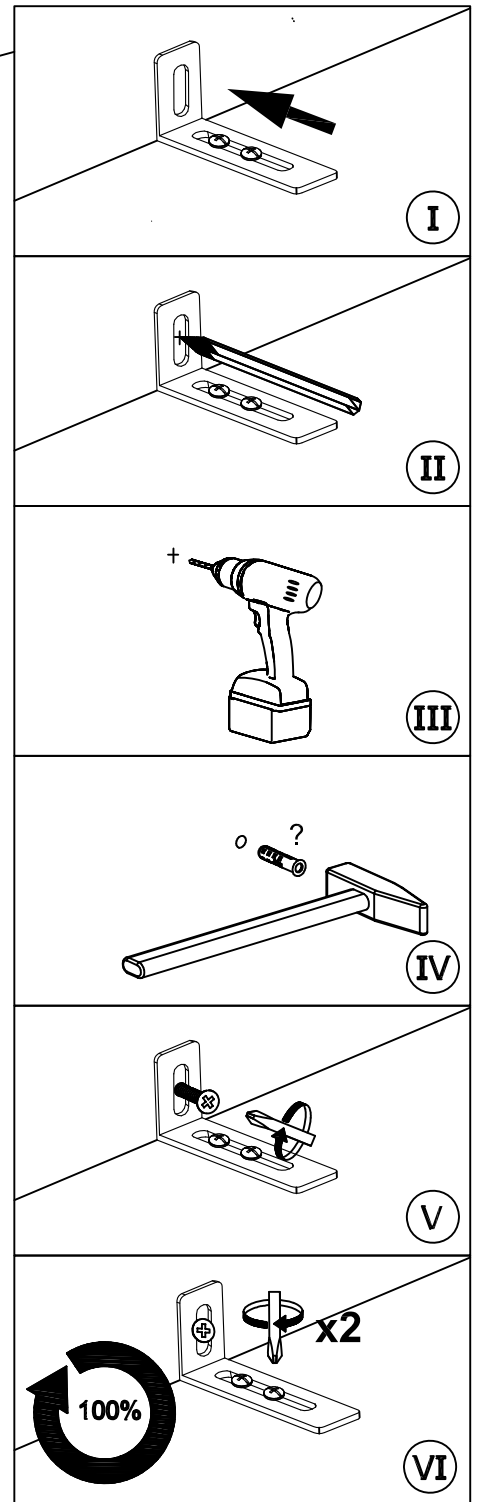
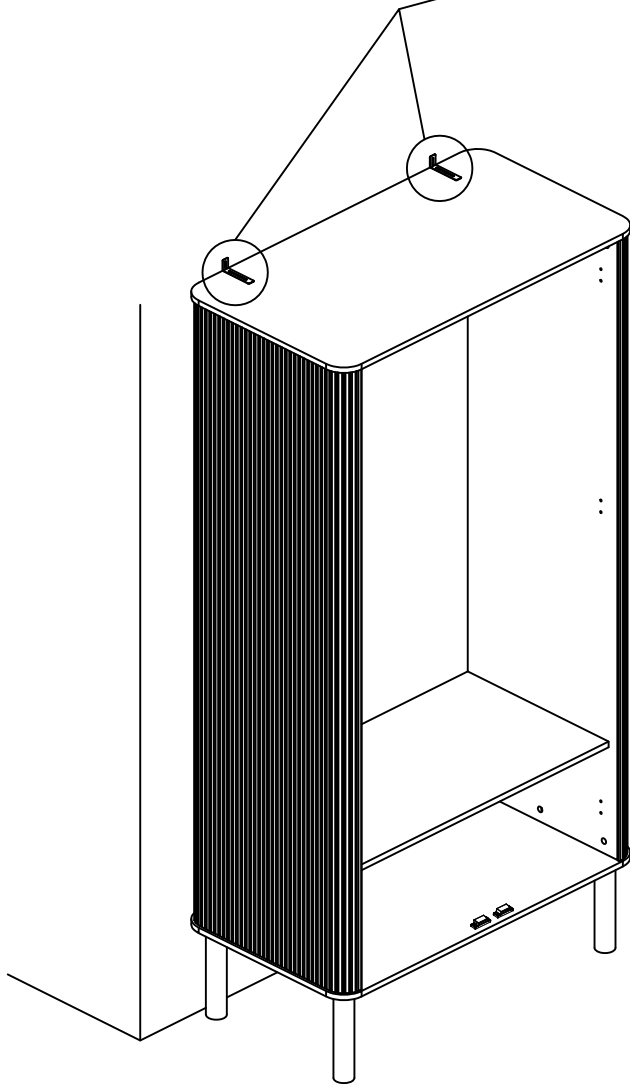
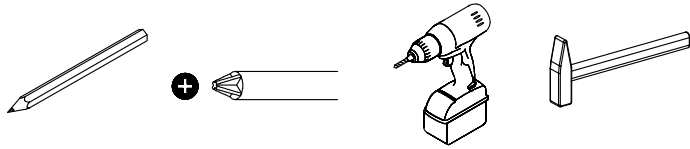
# 13



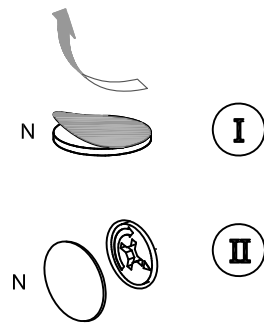
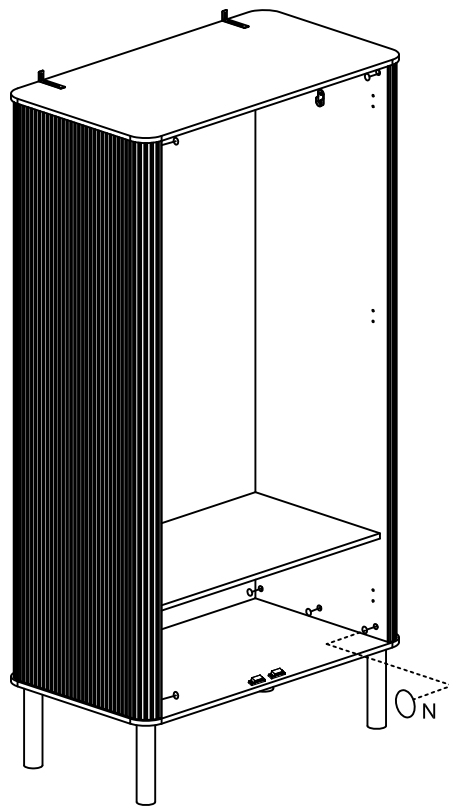
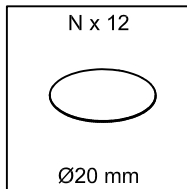
# 14



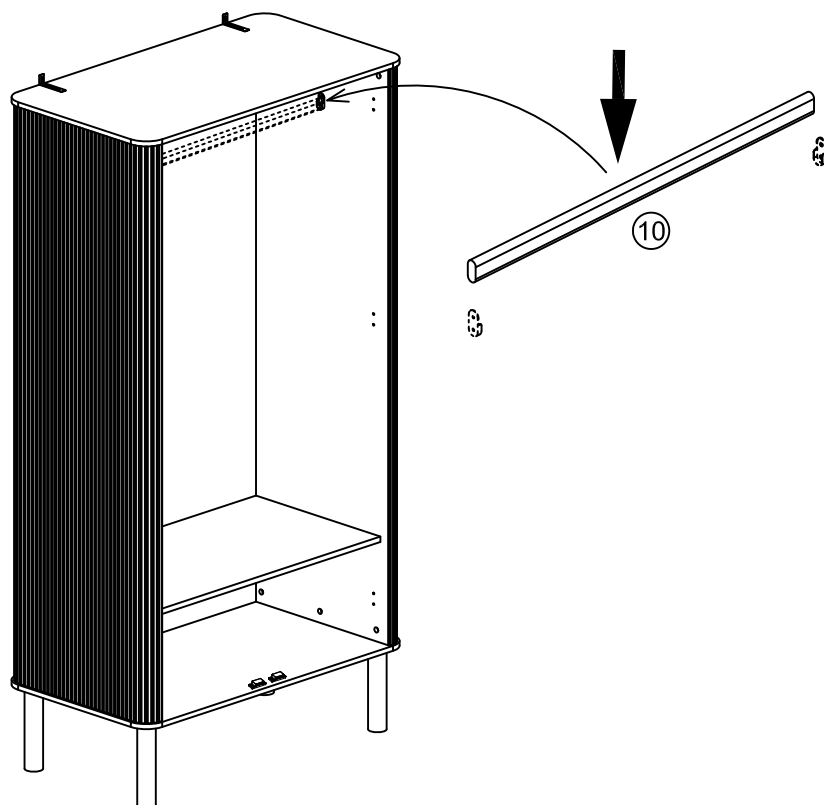
# 15



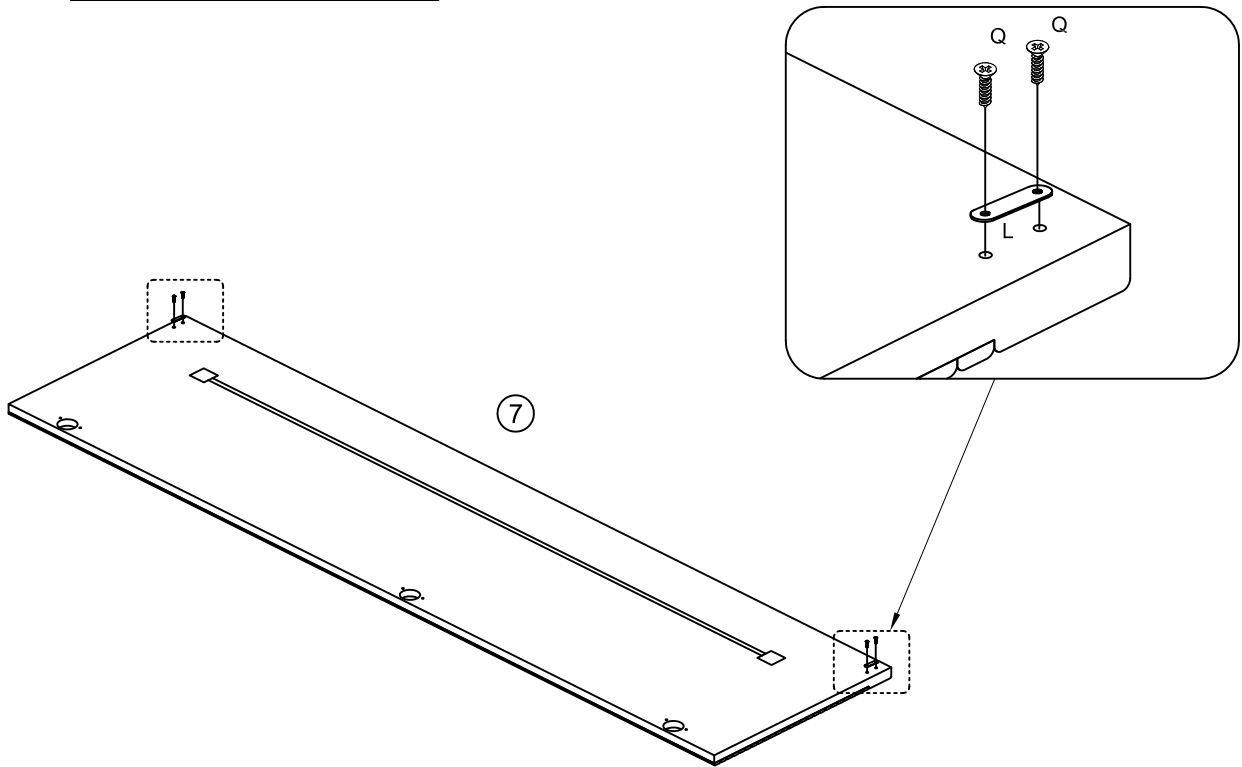
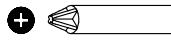
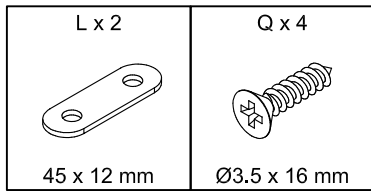
# 16



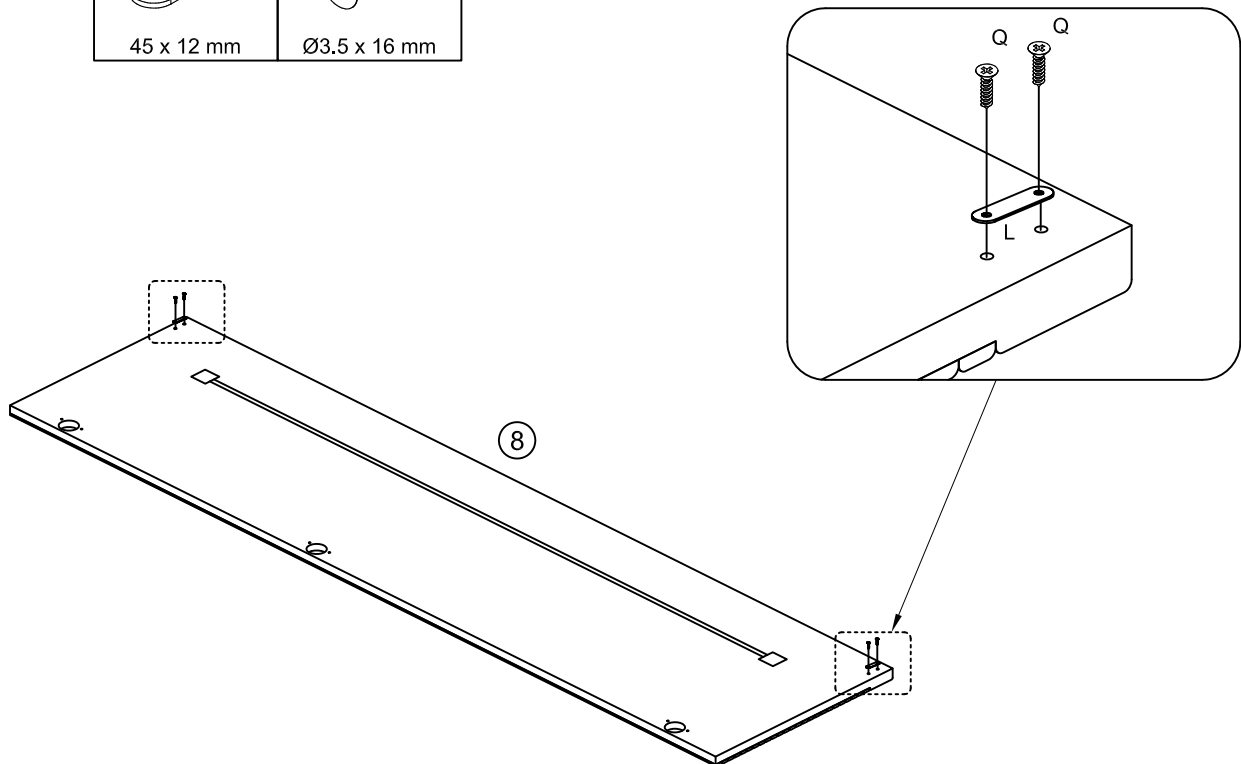
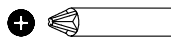
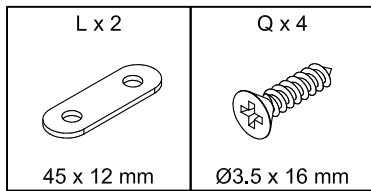
# 17



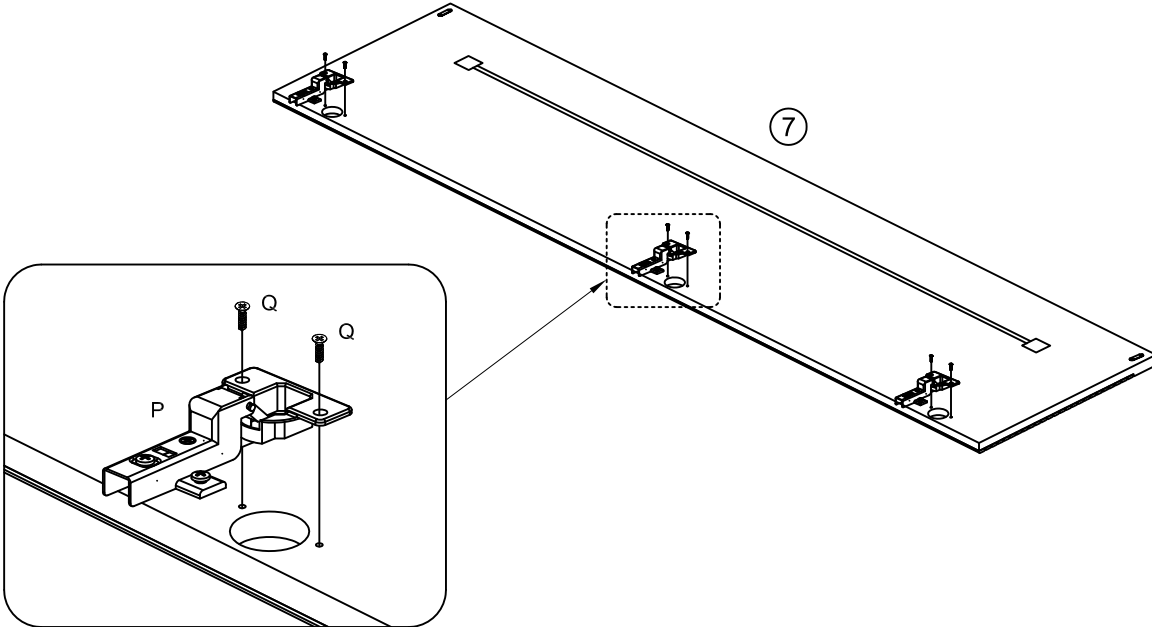
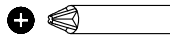
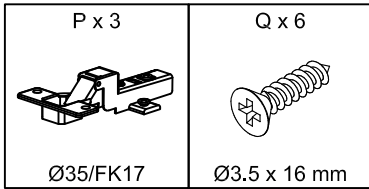
# 18



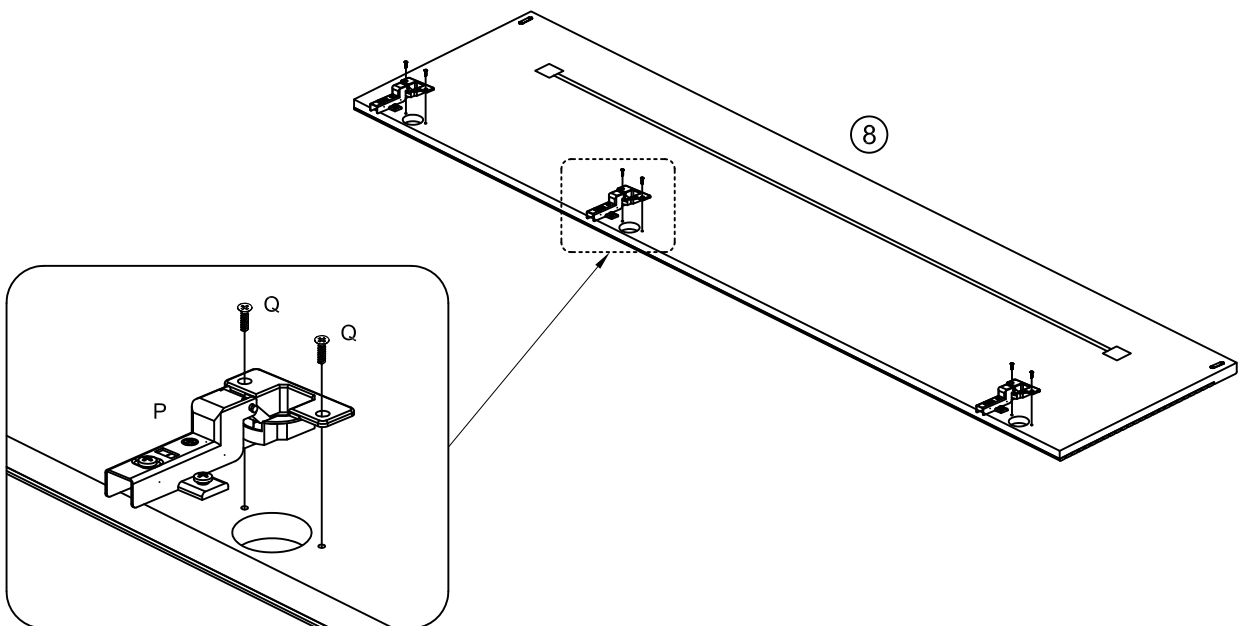
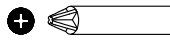
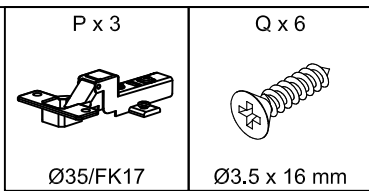
# 19



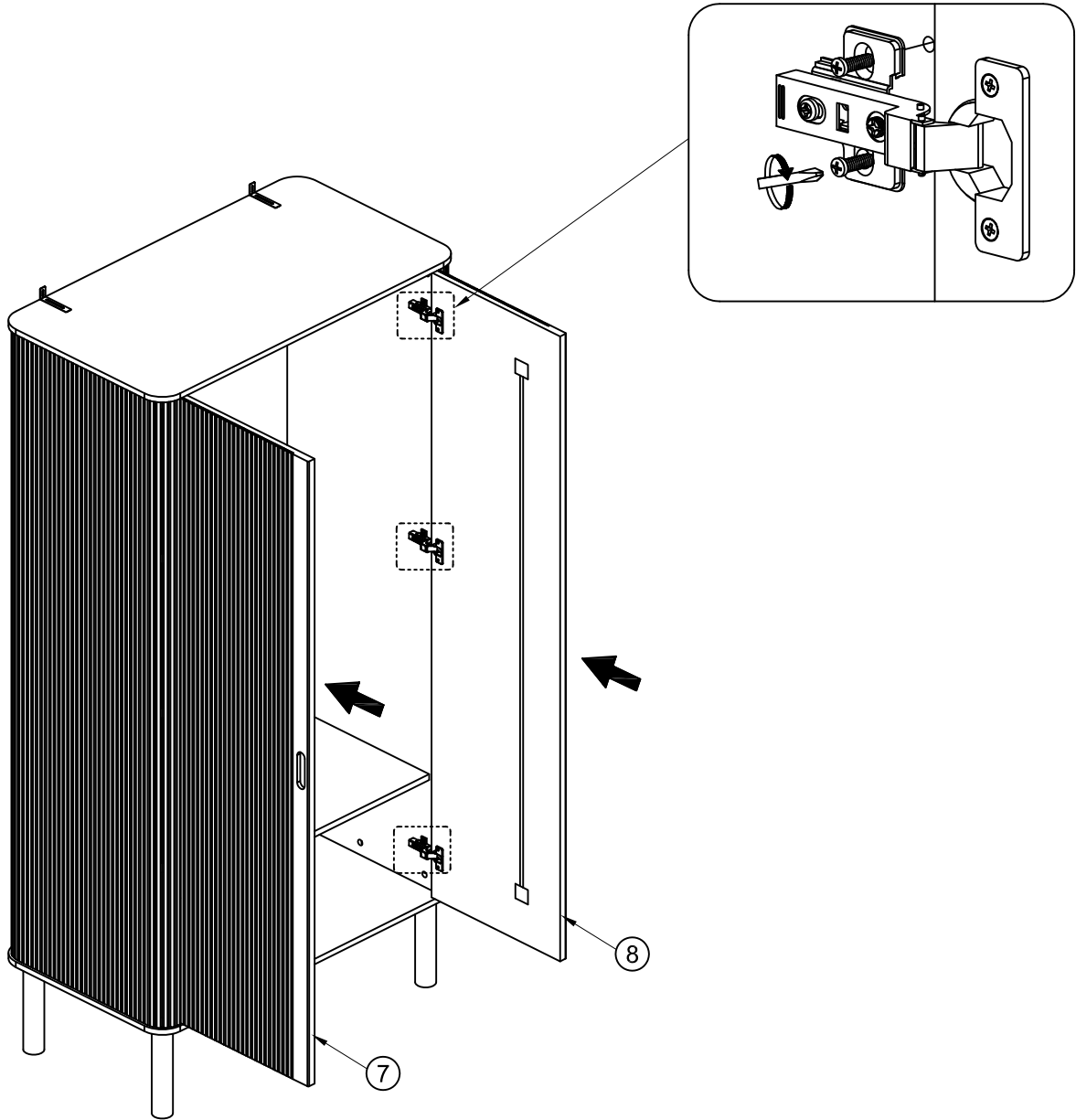
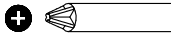
# 20



# 21



# 22



23

