

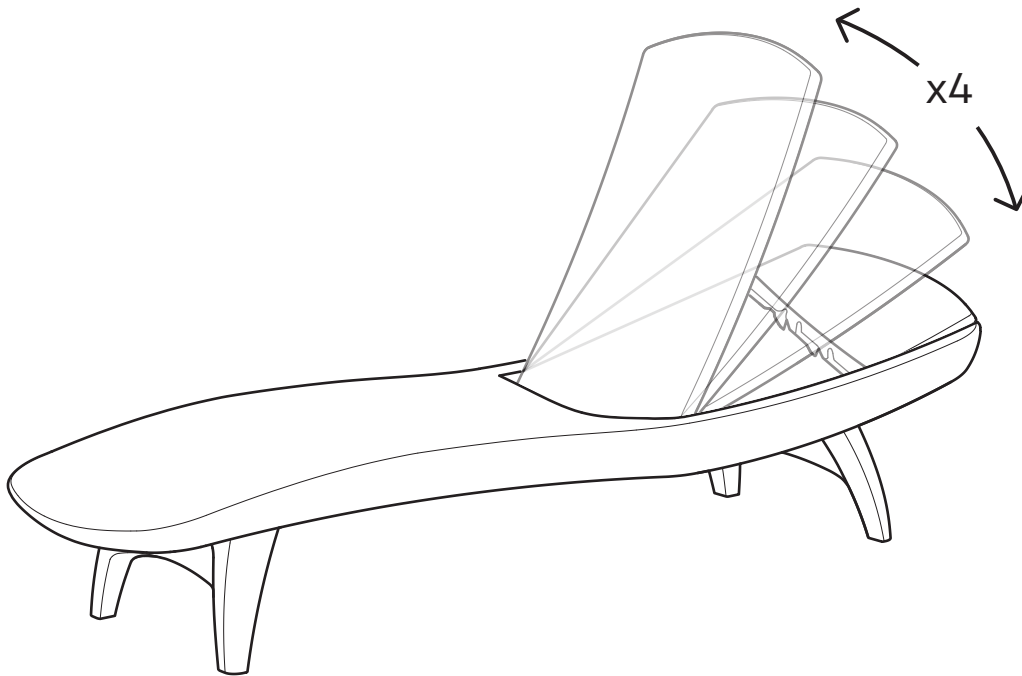
KETER

Create amazing spaces™

®

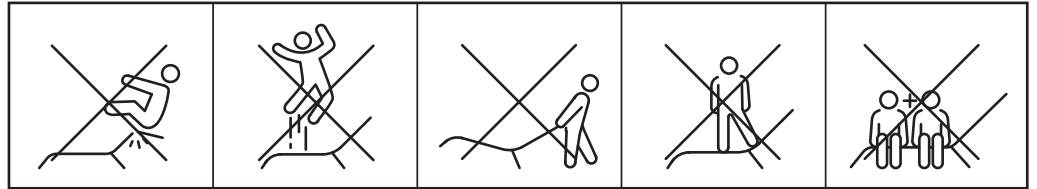
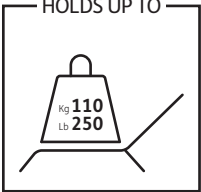
PACIFIC SUN LOUNGER

USER MANUAL | MODE D'EMPLOI | **MANUAL DEL USUARIO** | GEBRAUCHSANLEITUNG |
GEBRUIKSHANDLEIDING | MANUALE PER L'UTENTE | **MANUAL DO UTILIZADOR**



5007228

HOLDS UP TO

**USA & Canada**Tel: 877-638-7056
08:00 AM -17:00 PM**UK | Royaume-Uni**Tel: 0121-506-0008
08:30 AM -17:00 PM**Benelux | Benelux**Tel: +31 (0) 161-228300
9:00 AM -17:00 PM**Germany | Austria**Tel: +49 (0) 481-21-22-46-3
09:00 AM -17:00 PM**Iberia**Tel: +949-27-74-21
09:00 AM -17:00 PM**Switzerland**Tel: +41-62-767-00-50
09:00 AM -17:00 PM**France**Please contact customer
service department at
the store | Veuillez
contacter le service
client du magasinWWW.KETER.COM

