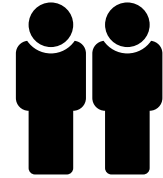
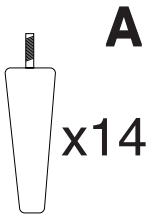


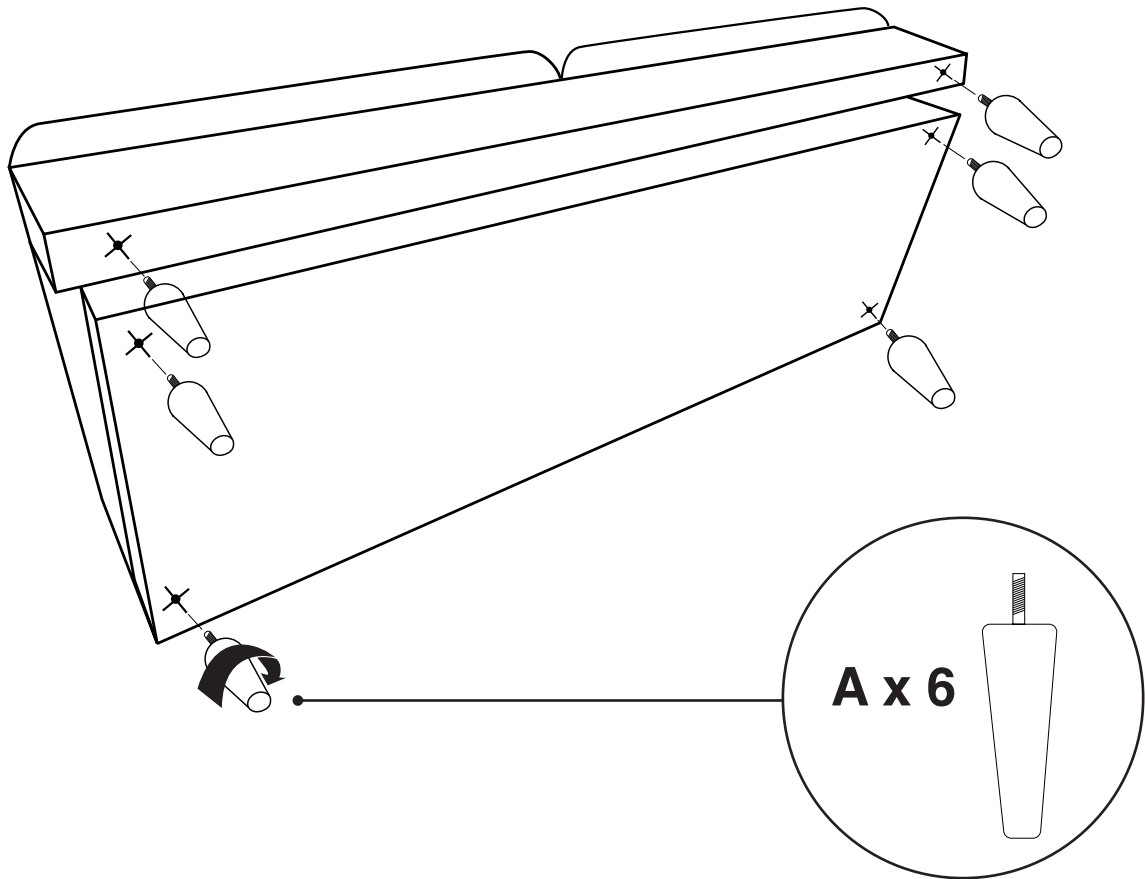
# Jazz

corner sofa



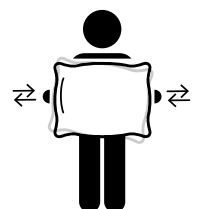
\* the installation method for a right and left-sided sofa is analogous.

## 1.1

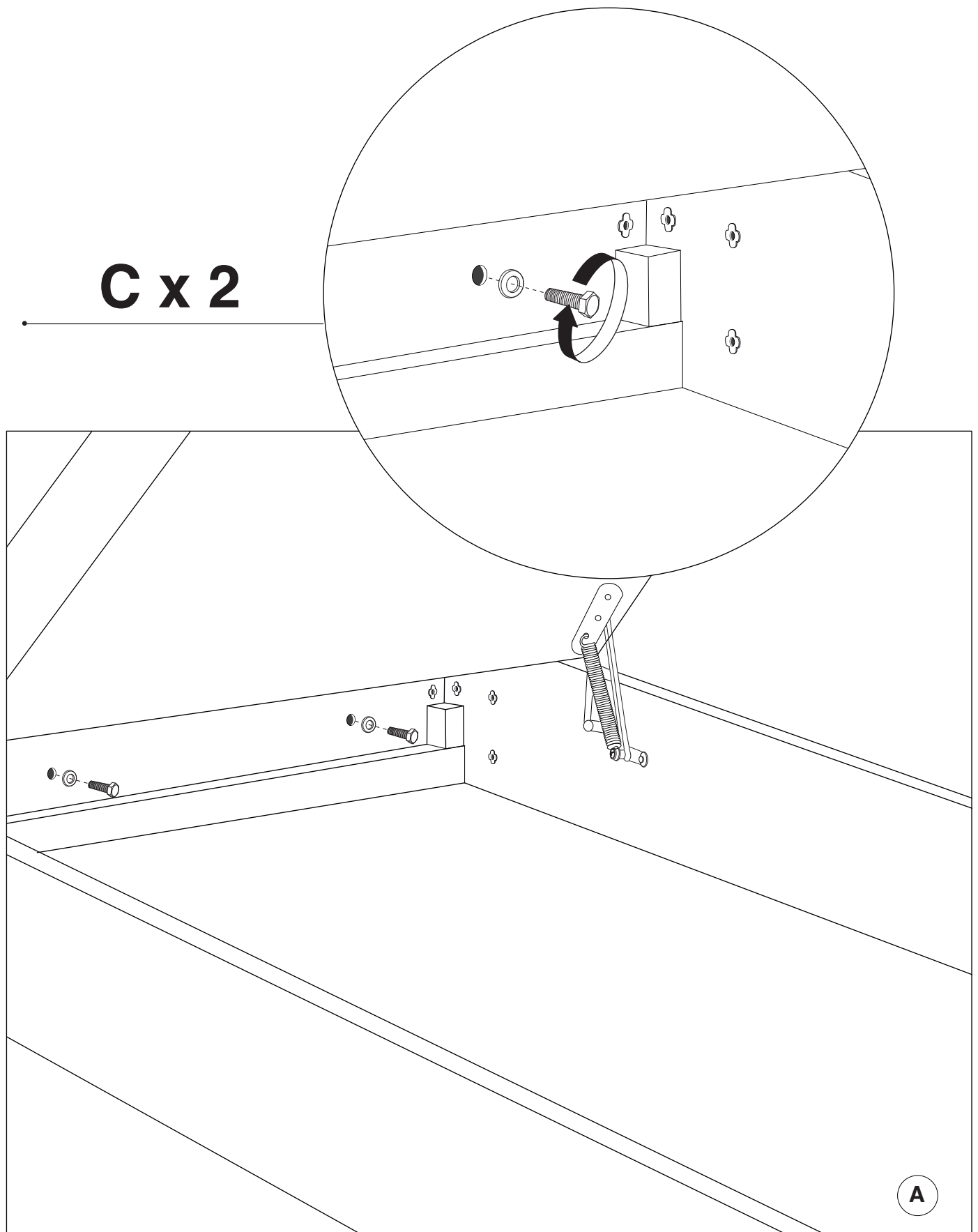


1 of 8

**SHAPE UP ALL PILLOWS AND CUSHIONS!**

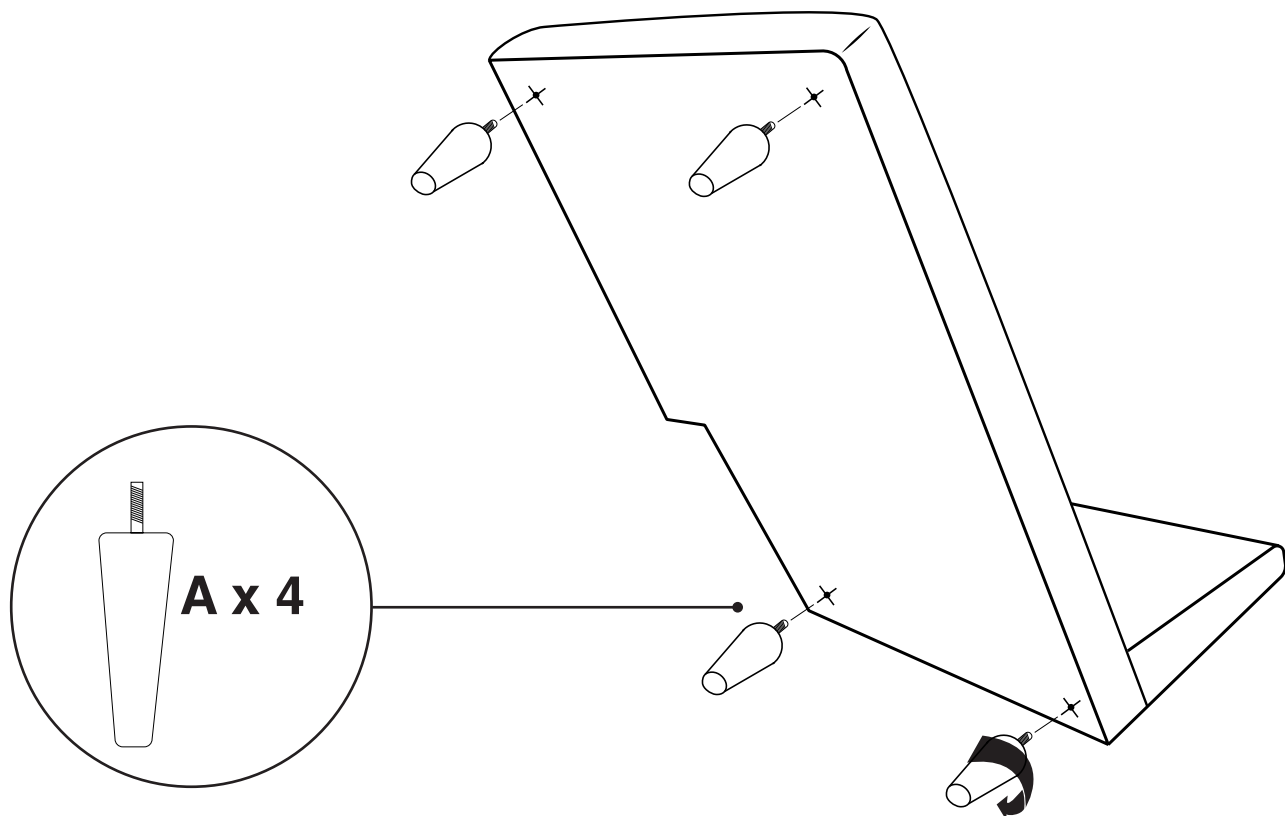


C x 2

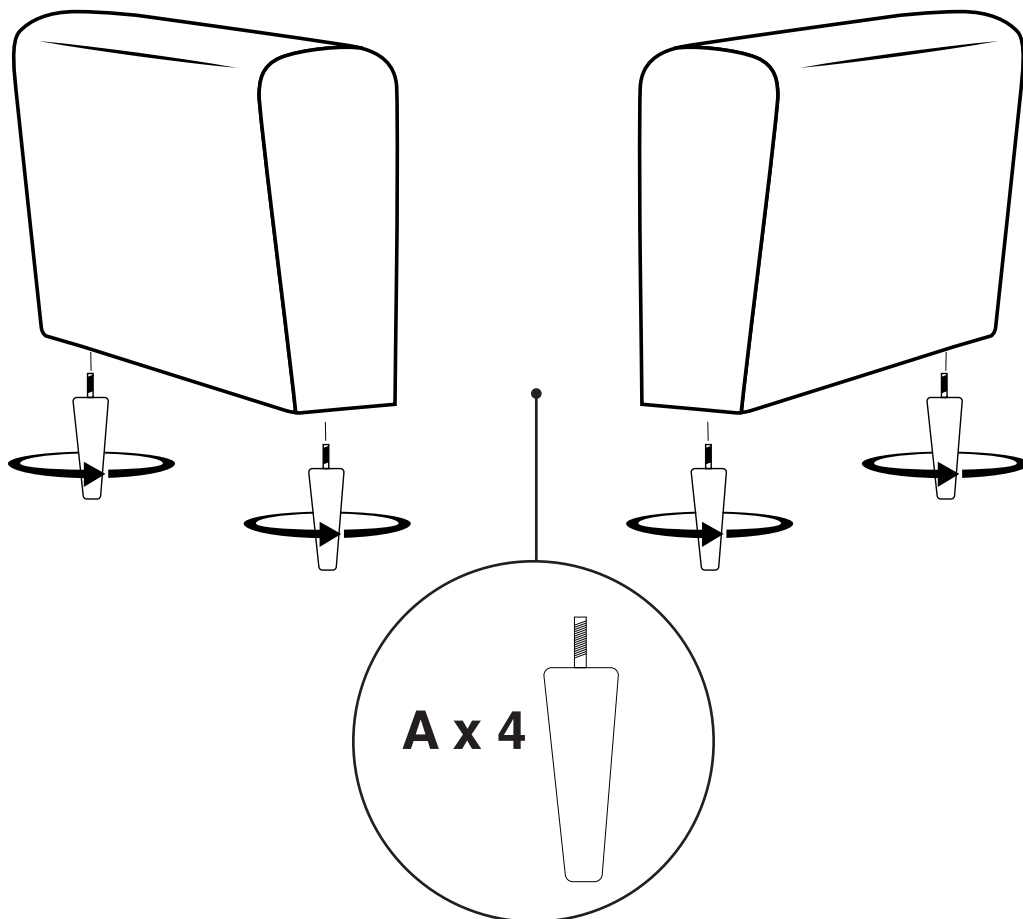


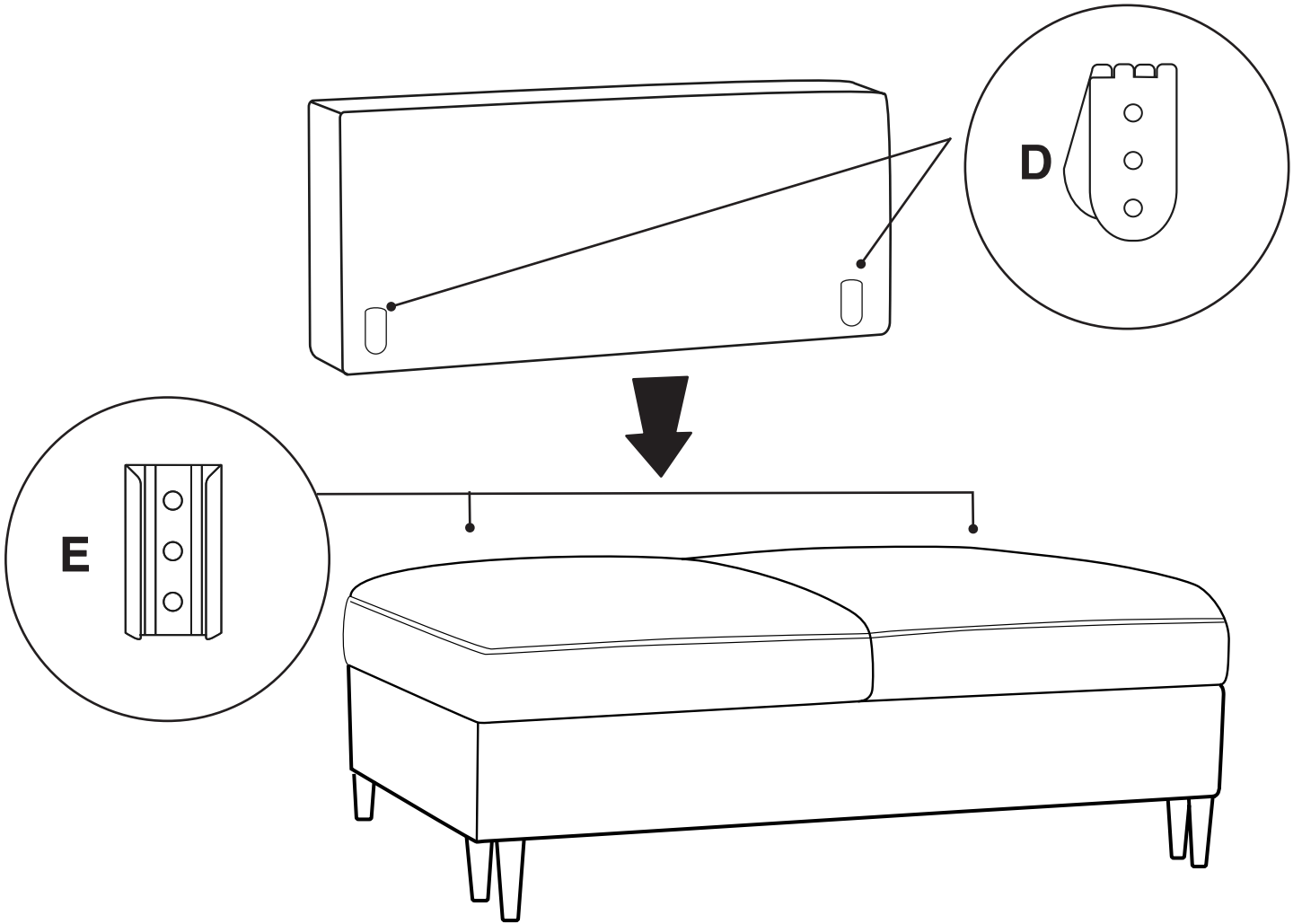
3.

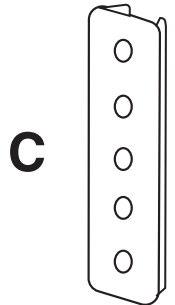
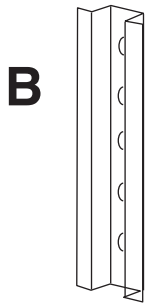
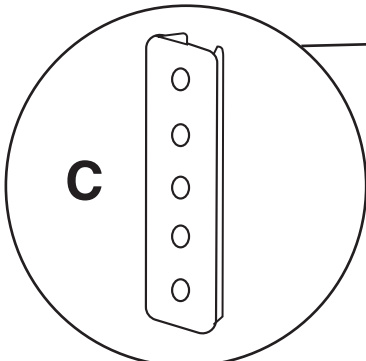
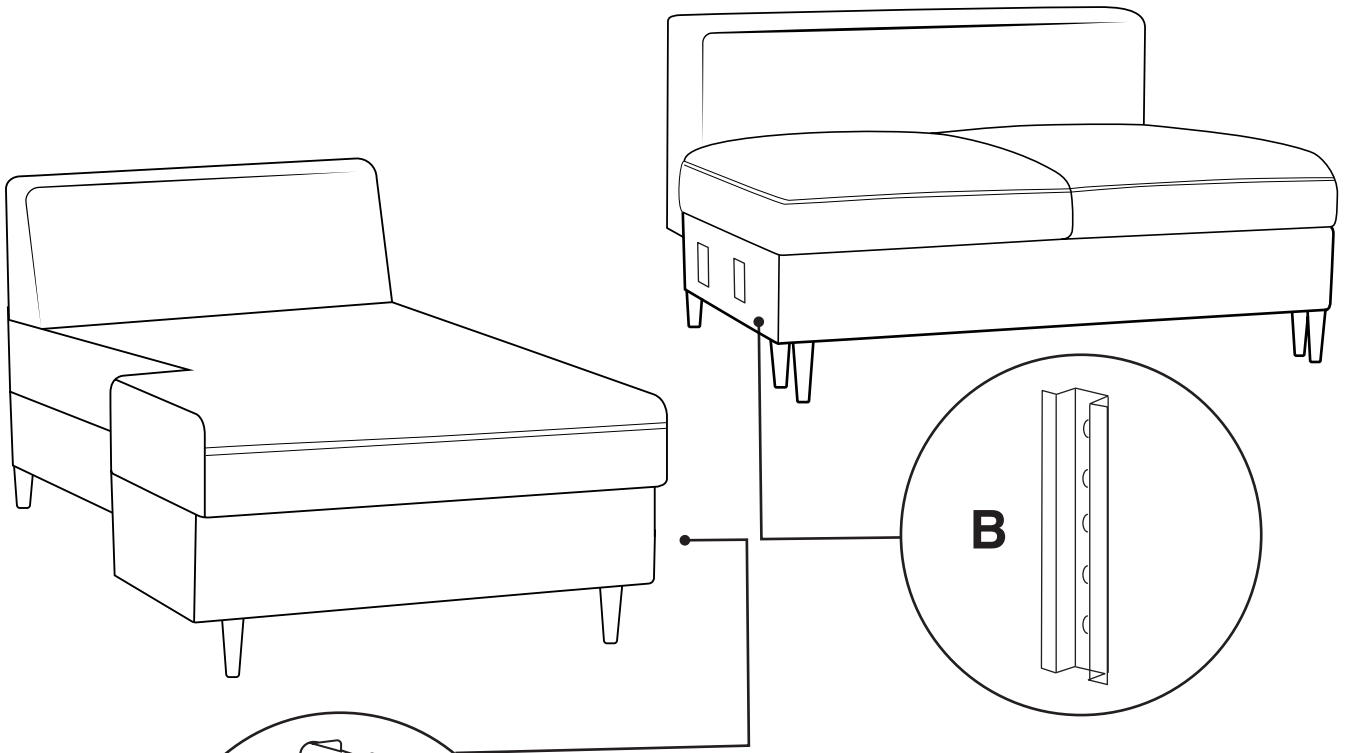
Jazz

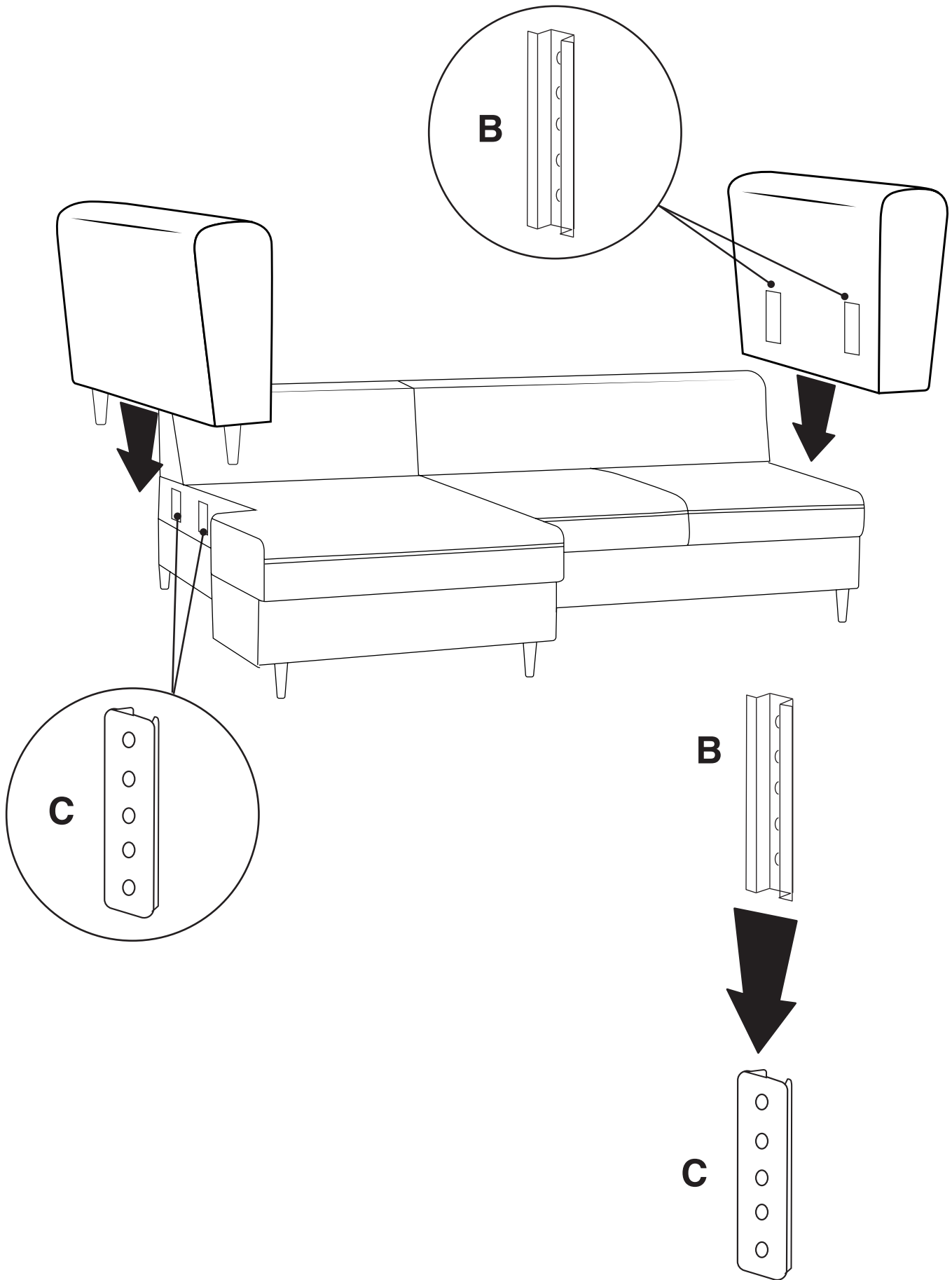


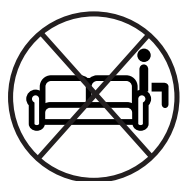
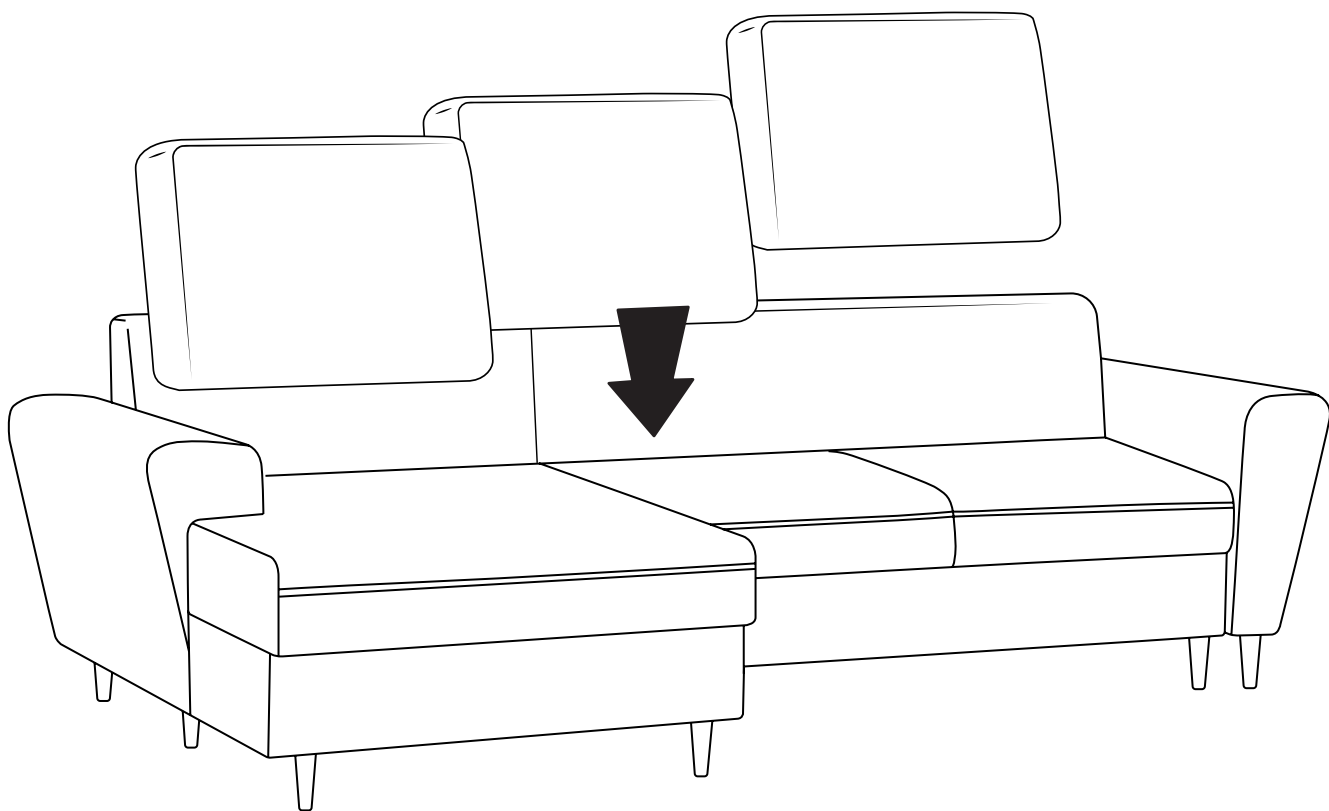
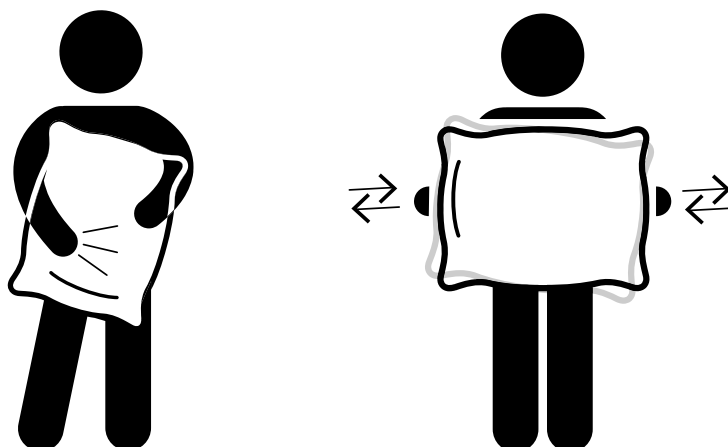
4.





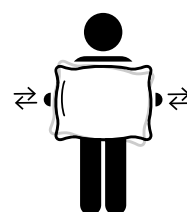






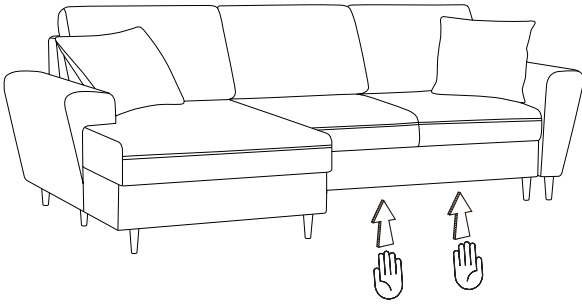
7 of 8

**SHAPE UP ALL PILLOWS AND CUSHIONS!**

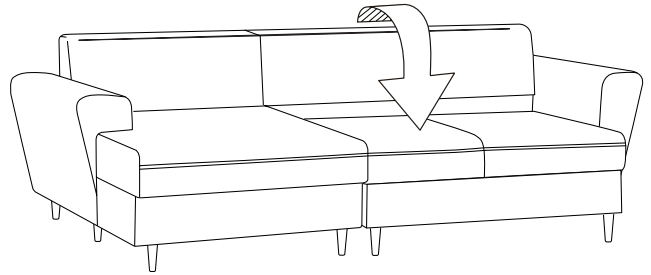


# bed function

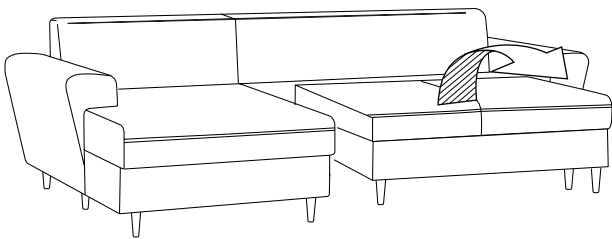
1.



3.



2.



4.

