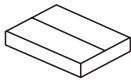




Kave® Cares



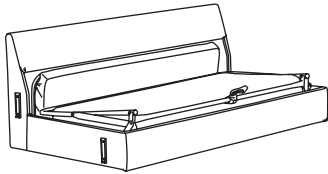
15 min



x3



x2



**A** x1



**B** x1



**C** x1



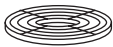
**D** x2



**E** x2



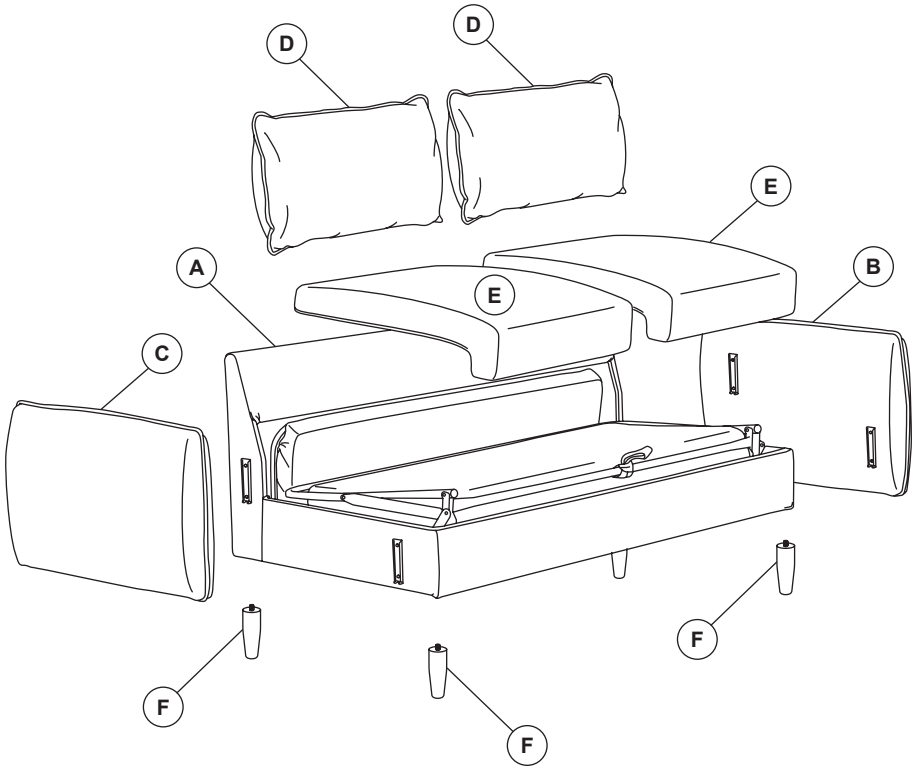
**F** x4



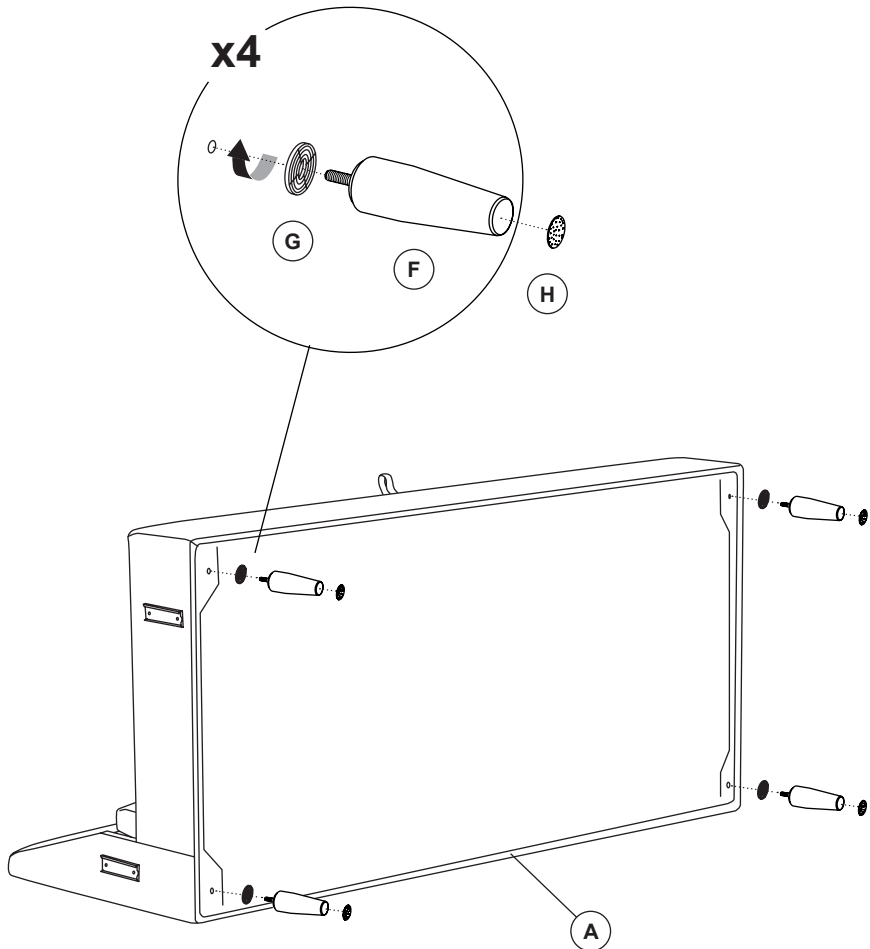
**G** x4



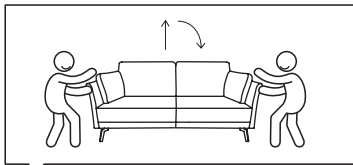
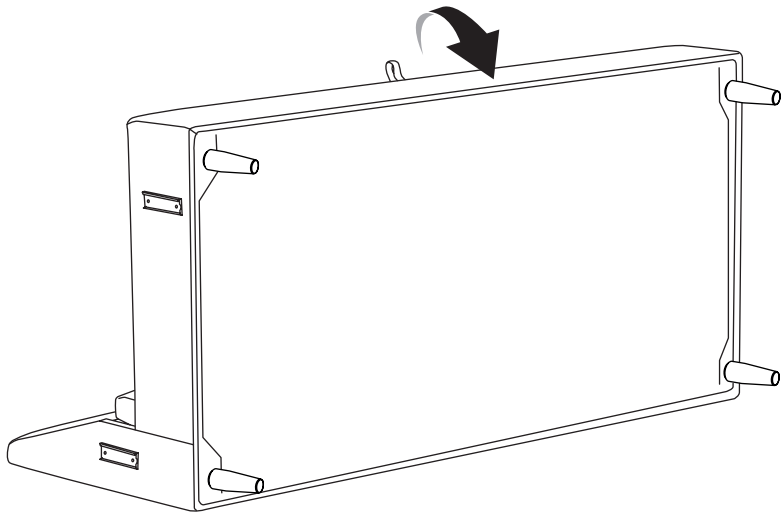
**H** x4



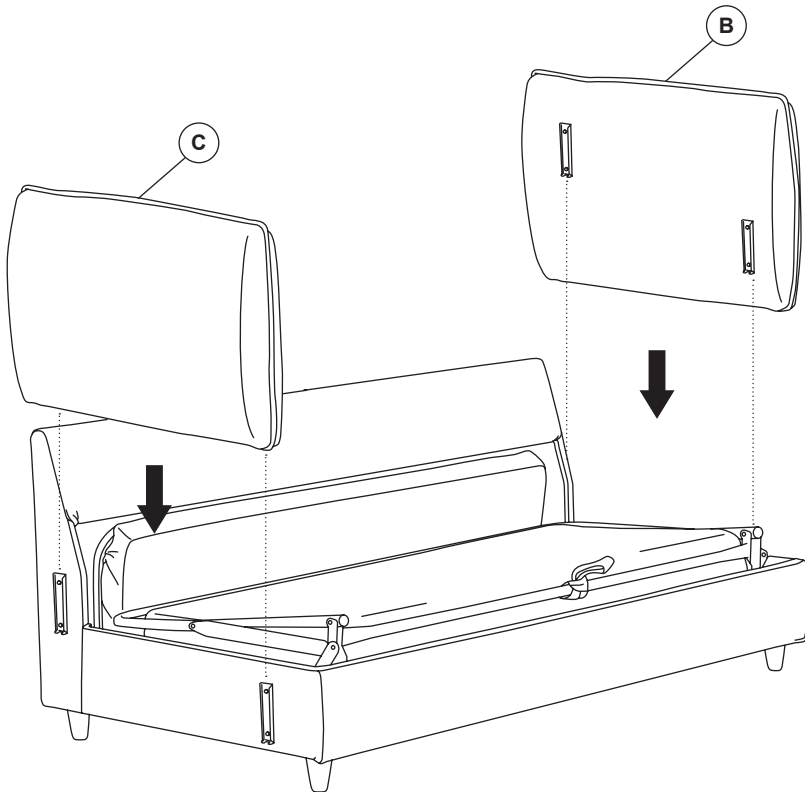
1



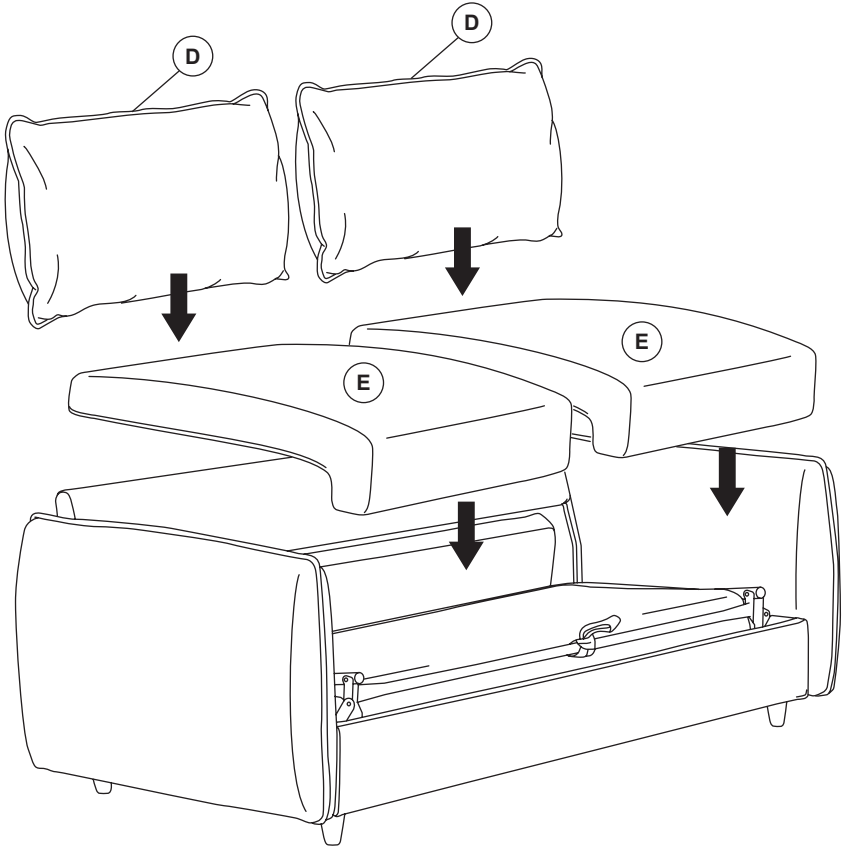
2



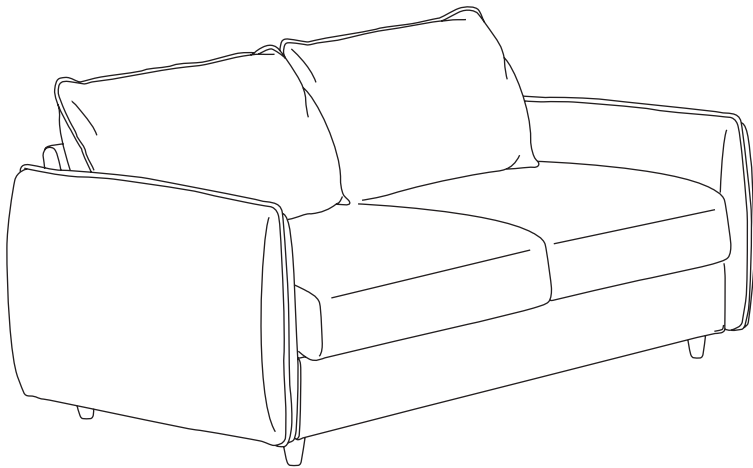
3

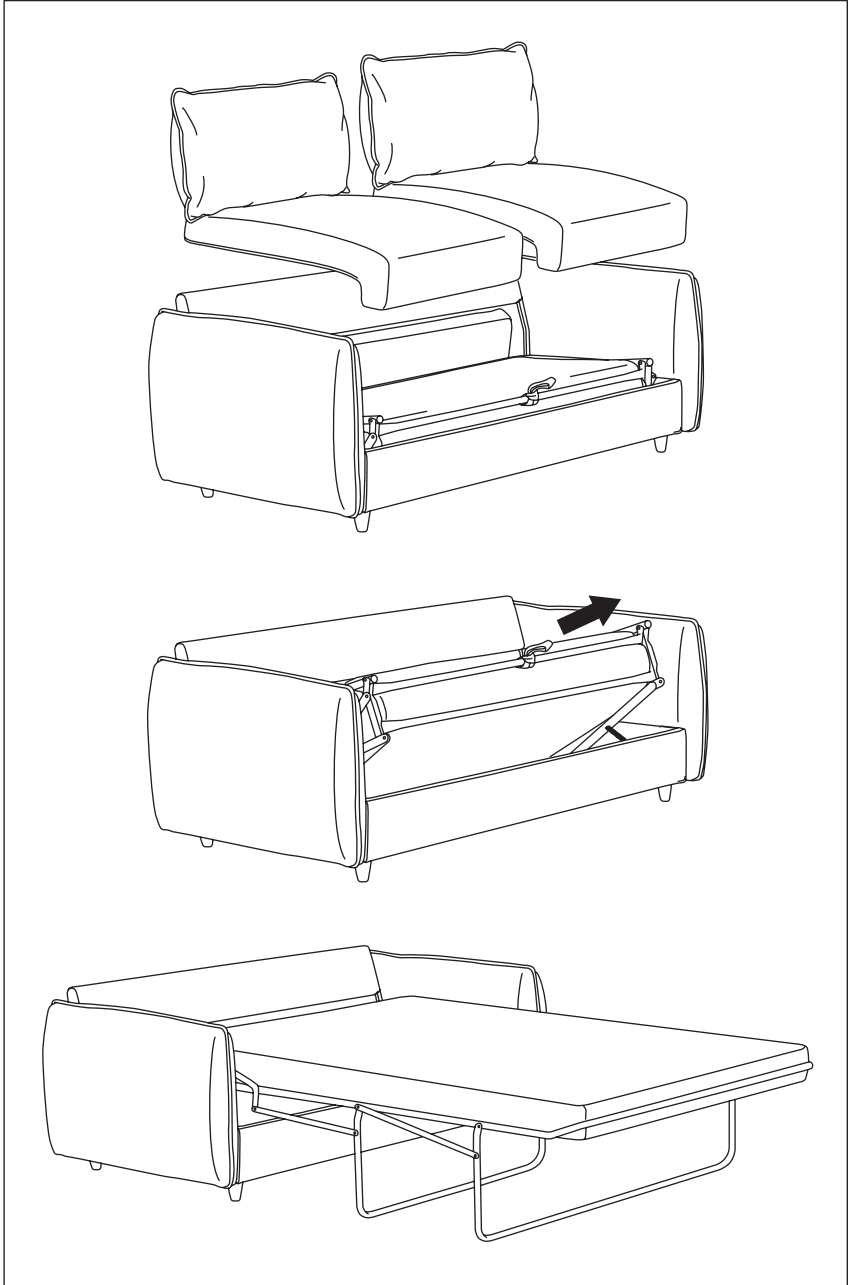


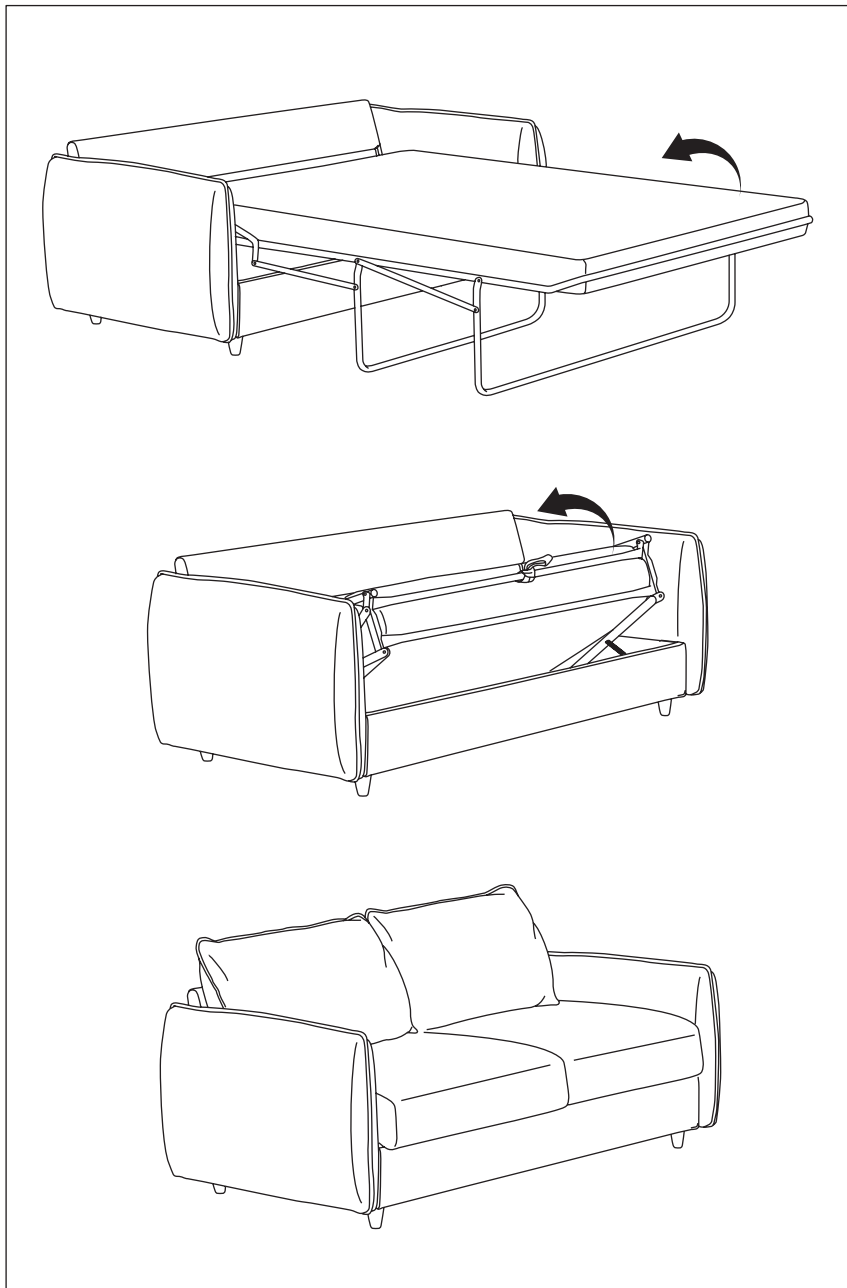
4













**THAT'S ALL FOLKS!**

Share your style!

**#KaveHome**

