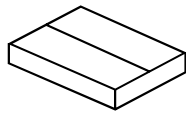
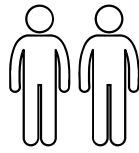




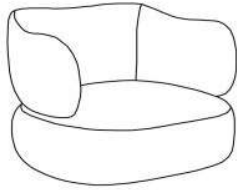
10min



x1



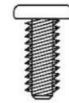
x2



A x1



B x4

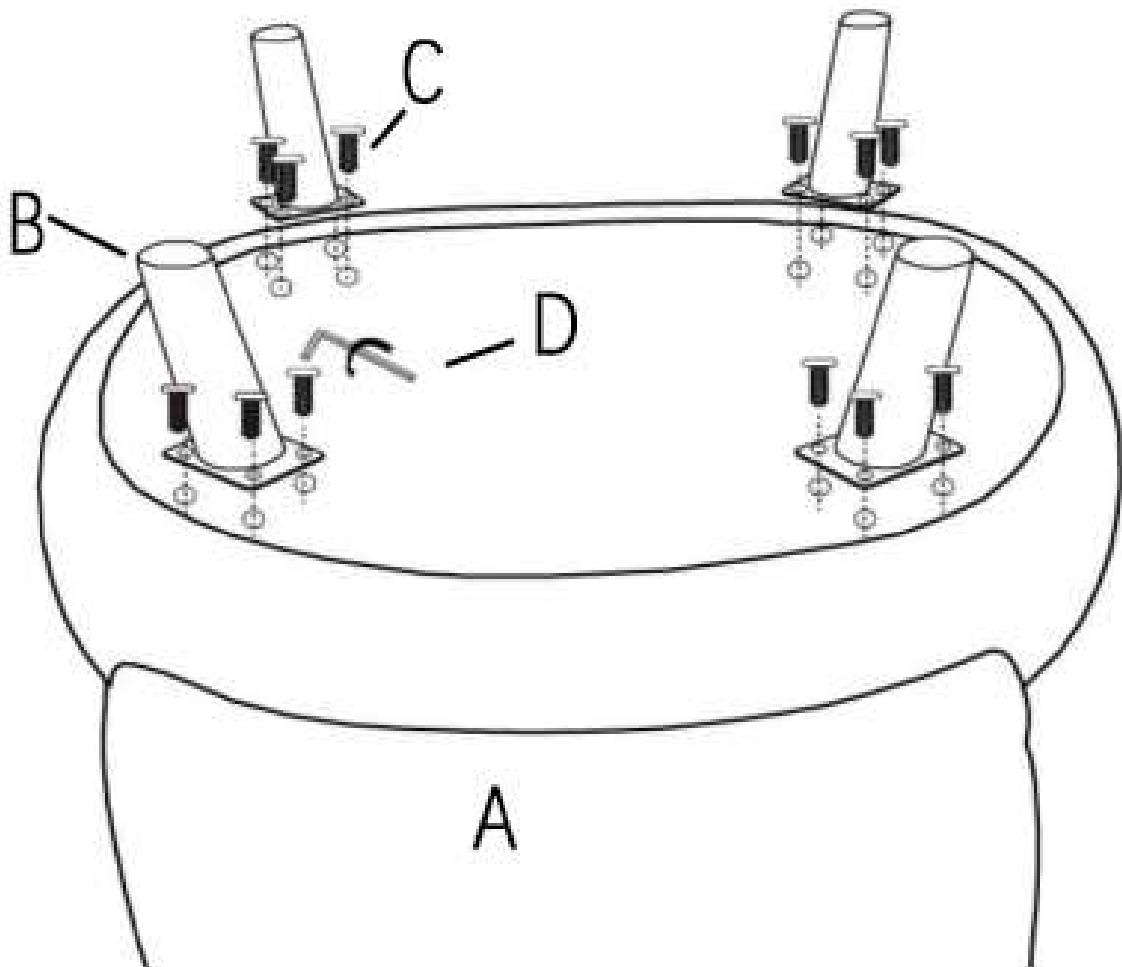


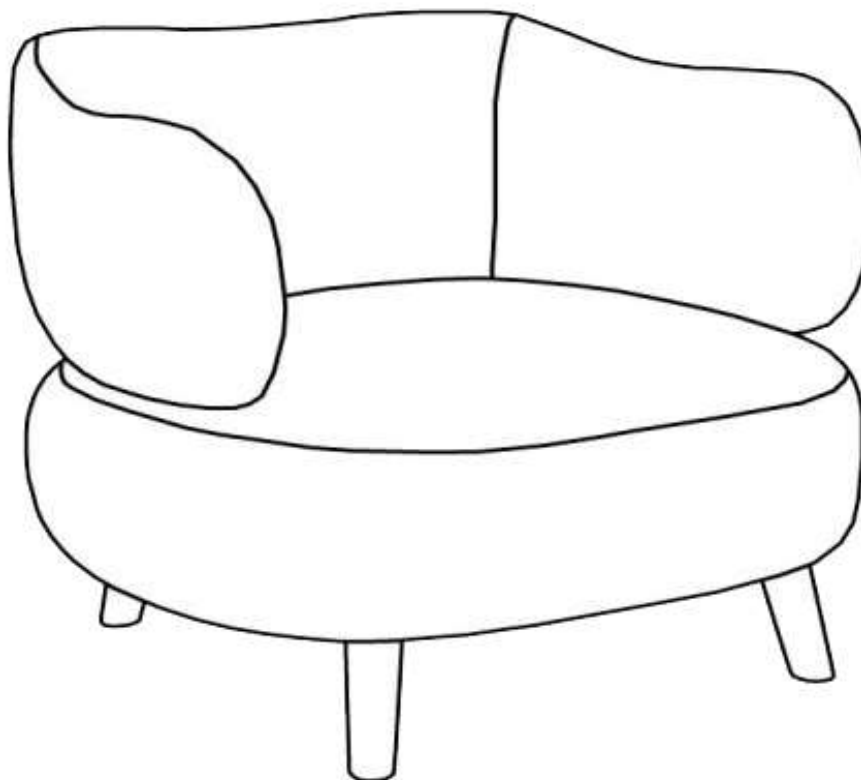
C x16



D x1

1











**THAT'S ALL FOLKS!**

Share your style!

**#KaveHome**

