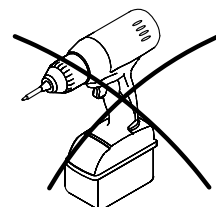
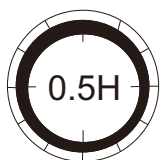
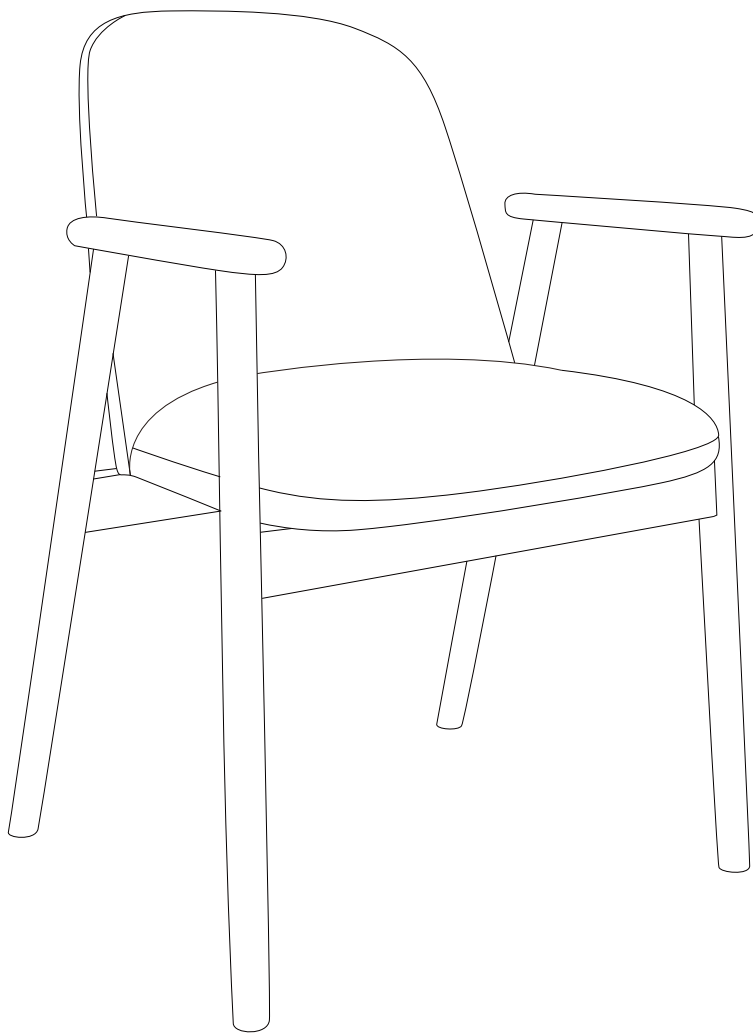
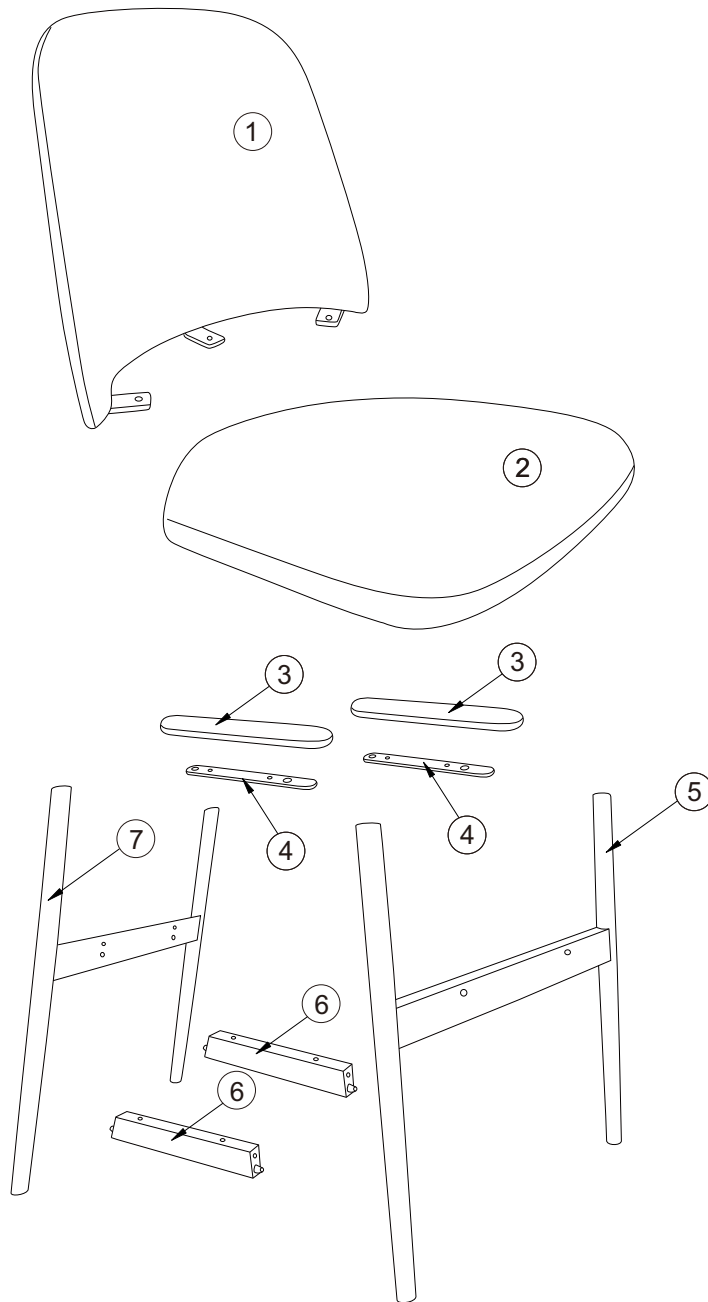
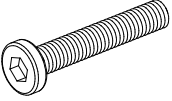
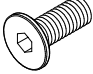
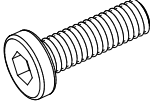
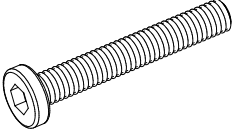


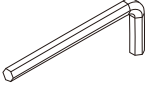
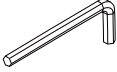



# LEO

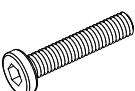




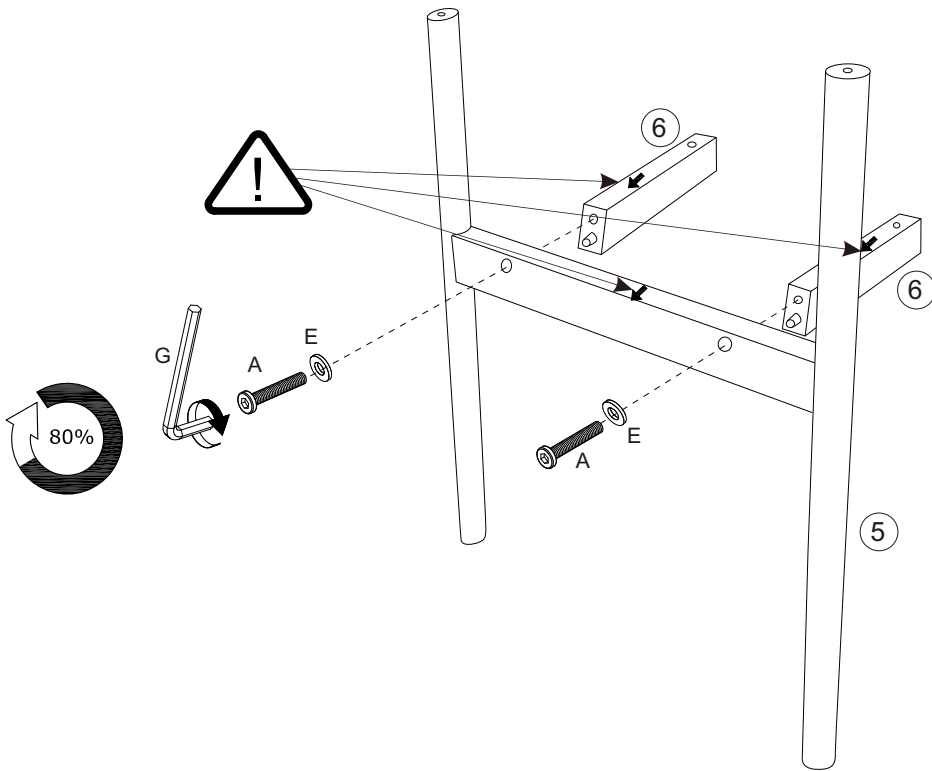
			✓
①	1	455x465x140	
②	1	450x480x70	
③	2	320x55x23	
④	2	240x30x3.5	
⑤	1	620x580x30	
⑥	2	305x27x45	
⑦	1	640x575x30	



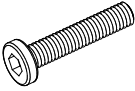


<p>A x 4</p>  <p>M6x35 mm</p>	<p>B x 8</p>  <p>M6x14 mm</p>	<p>C x 3</p>  <p>M8x30 mm</p>	<p>D x 4</p>  <p>M6x55 mm</p>	<p>E x 8</p>  <p>Ø6/Ø13 mm</p>
<p>F x 3</p>  <p>Ø8/Ø22 mm</p>	<p>G x 1</p>  <p>5 mm</p>	<p>H x 1</p>  <p>4 mm</p>	<p>J x 4</p>  <p>Ø25x5 mm</p>	

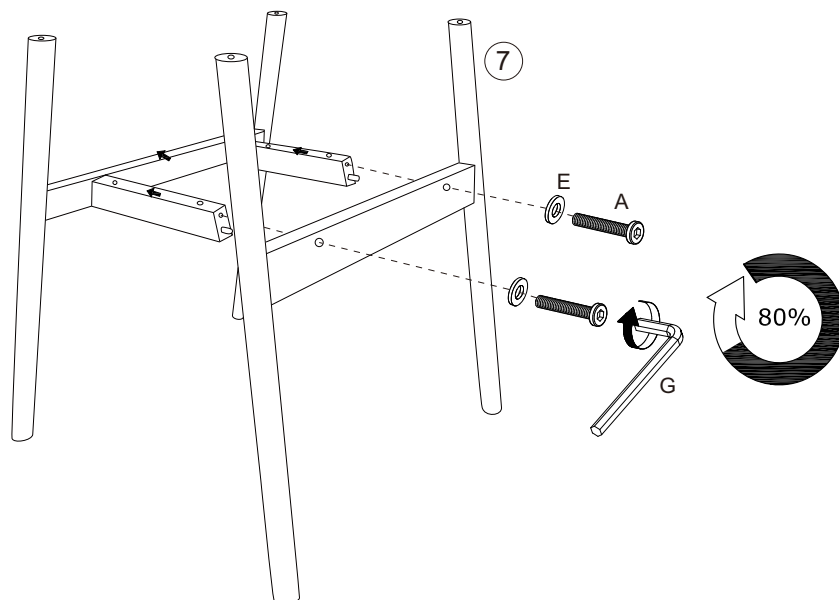
# 1

A x 2  M6x35 mm	E x 2  Ø6/Ø13 mm	G x 1  5 mm
--	---	--

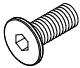



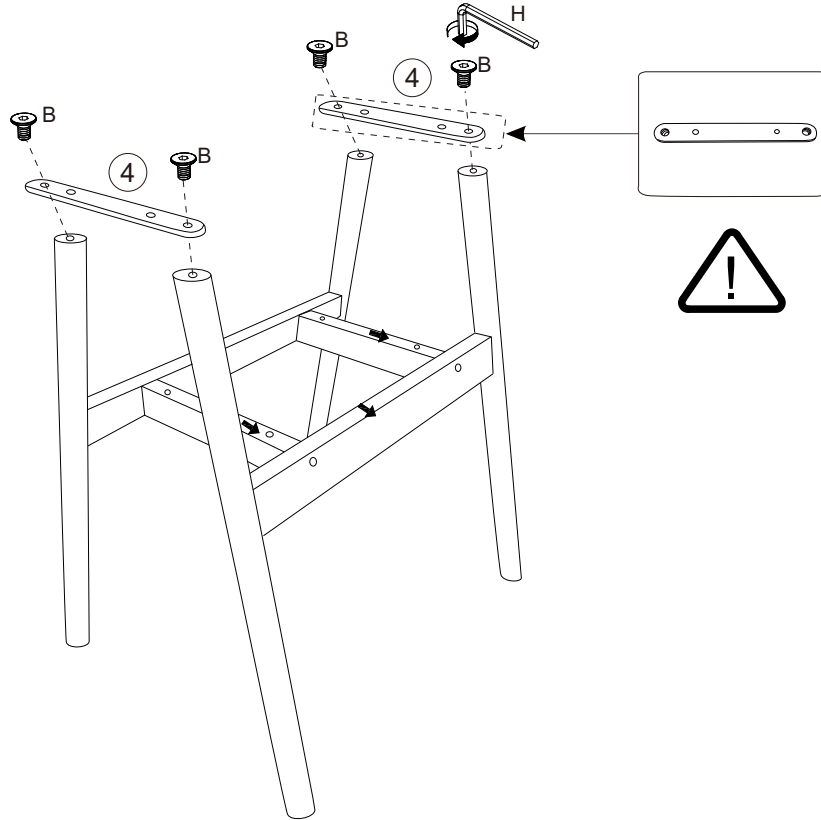
# 2

A x 2  M6x35 mm	E x 2  Ø6/Ø13 mm	G x 1  5 mm
--	---	--





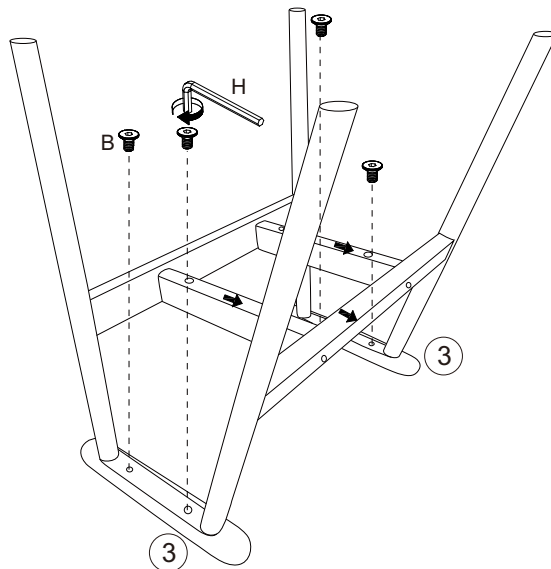
# 3

B x 4  M6x14 mm	H x 1  4 mm
--	--

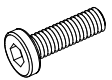

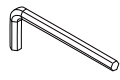


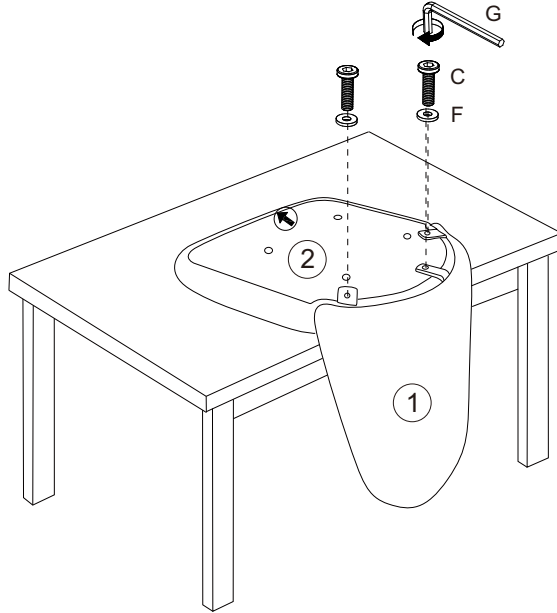
# 4

B x 4  M6x14 mm	H x 1  4 mm
--	--

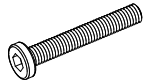

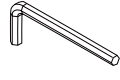



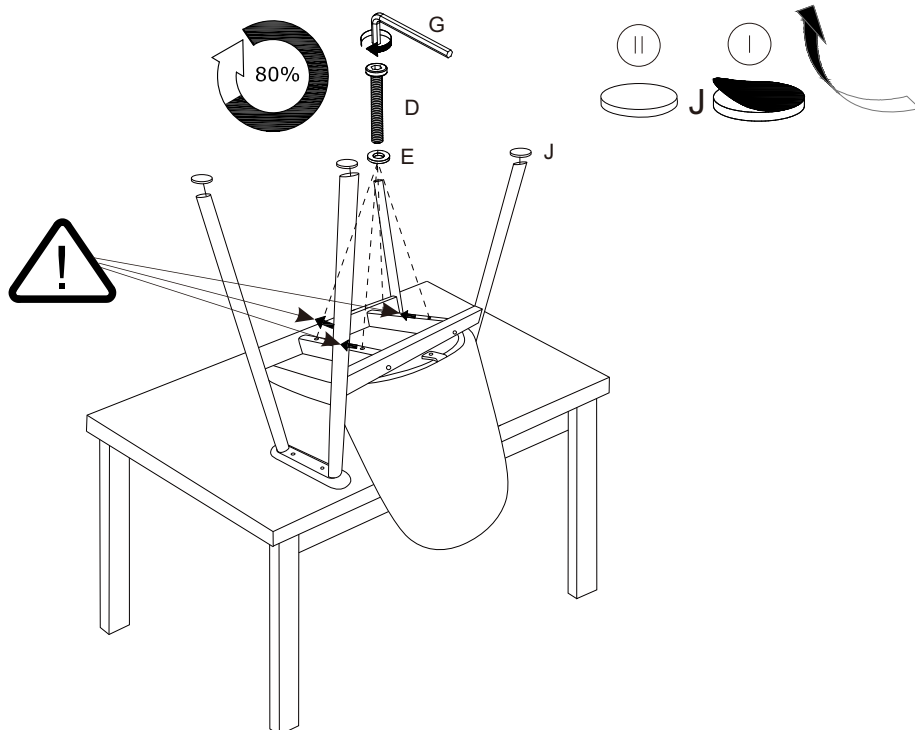
# 5

C x 3  M8x30 mm	F x 3  Ø8/Ø22 mm	G x 1  5 mm
--	---	--

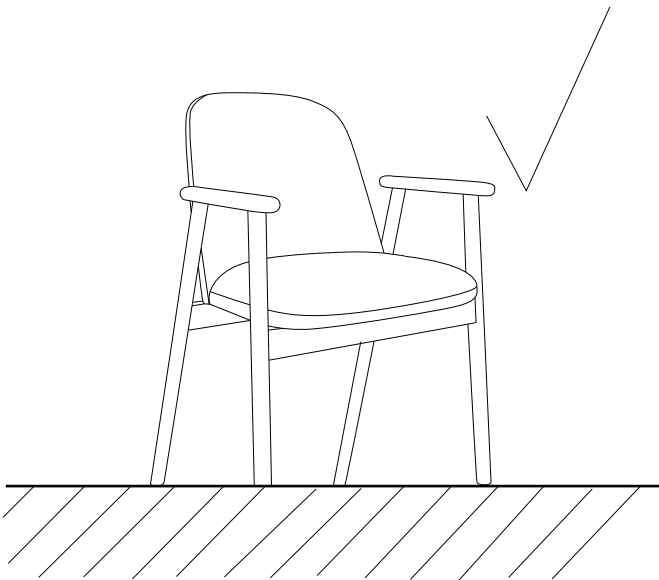
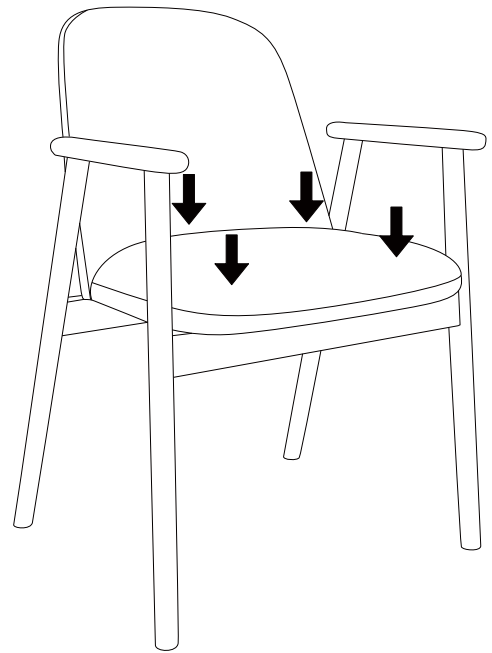
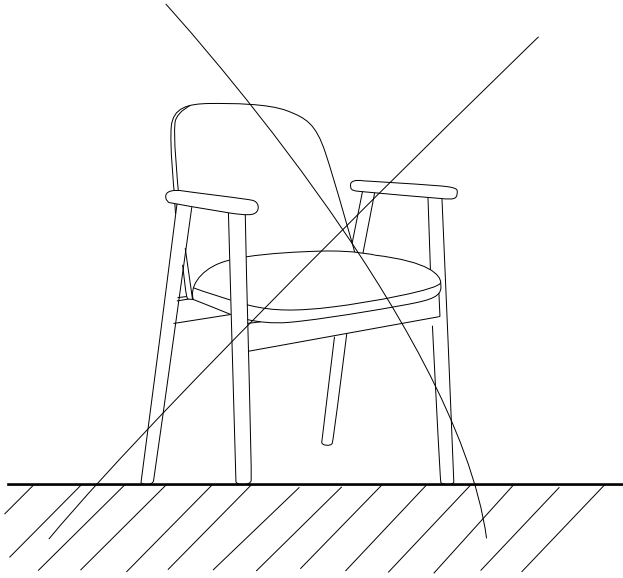


# 6

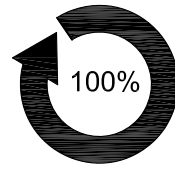
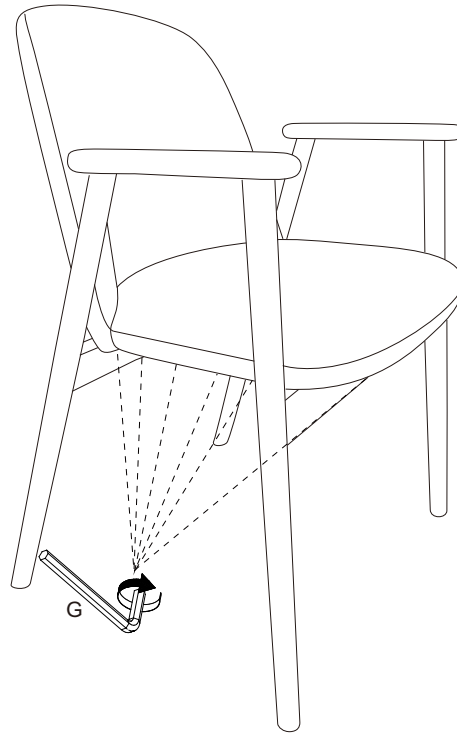
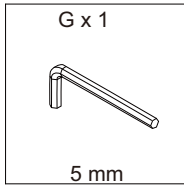
D x 4  M6x55 mm	E x 4  Ø6/Ø13 mm	G x 1  5 mm	J x 4  Ø25x5 mm
--	---	--	--



7



7



A x 4  
D x 4

8

