

NOTICE DE MONTAGE
INSTRUCCIONES DE MONTAJE / ASSEMBLY INSTRUCTIONS

ME
marckeric

MARCKERIC S.L.
C / ENLACE VEROLA S/N,
PC: 46430/SOLLANA / VALENCIA / SPAIN

13852/13854

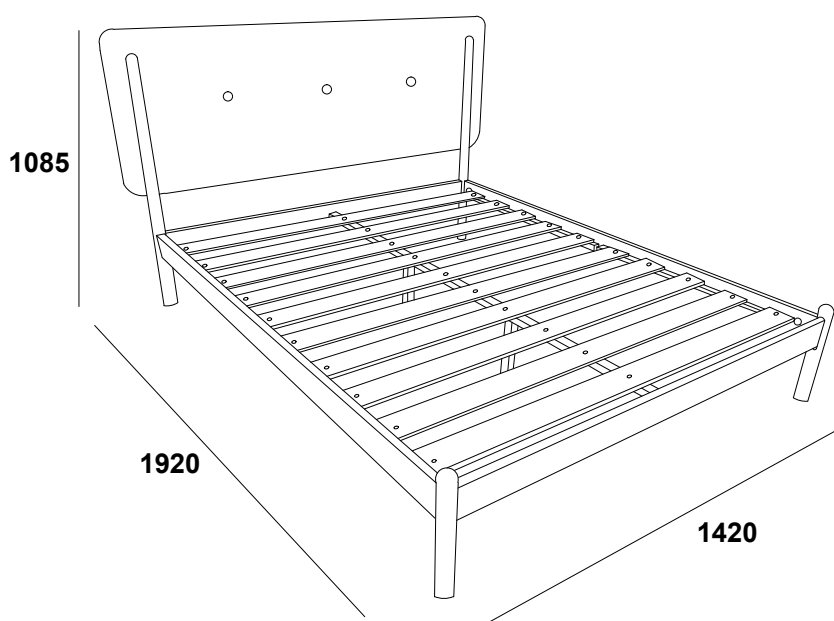
BED FUTON 140 ANNIE

CAMA 140 ANNIE

LIT FUTON 140 ANNIE

EAN Code 8435178377821

EAN Code 8435178377814



AVANT DE COMMENCER, SE
REPORTER AUX CONSEILS
DE MONTAGE EN ANNEXE

BEFORE STARTING, REFER
TO THE ASSEMBLING ADVICE
IN ANNEX

VOR DER MONTAGE,
BEILIEGENDE ANWEISUNGEN
BEFOLGEN.

PRIMA DI COMINCIARE
LEGGETE LE ISTRUZIONI DI
MONTAGGIO

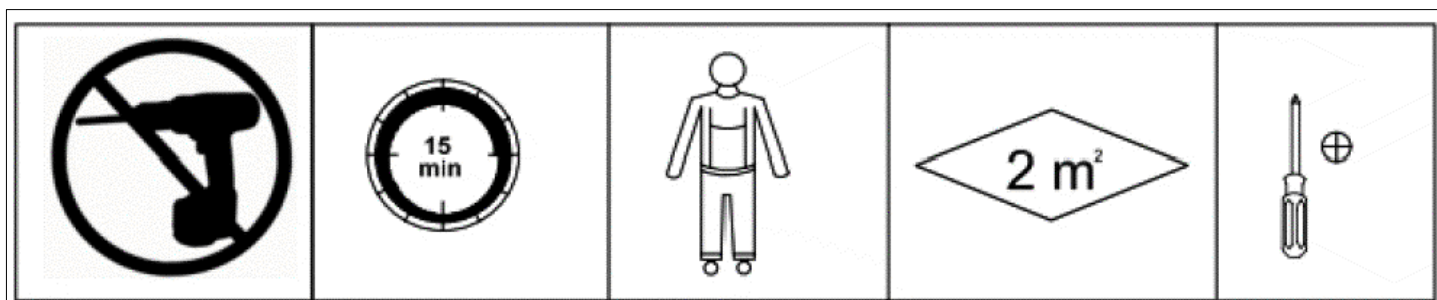
ANTES DE COMERÇAR, ADIAR
SE AOS CONSELHOS DE
MONTAGEM EM ANEXO

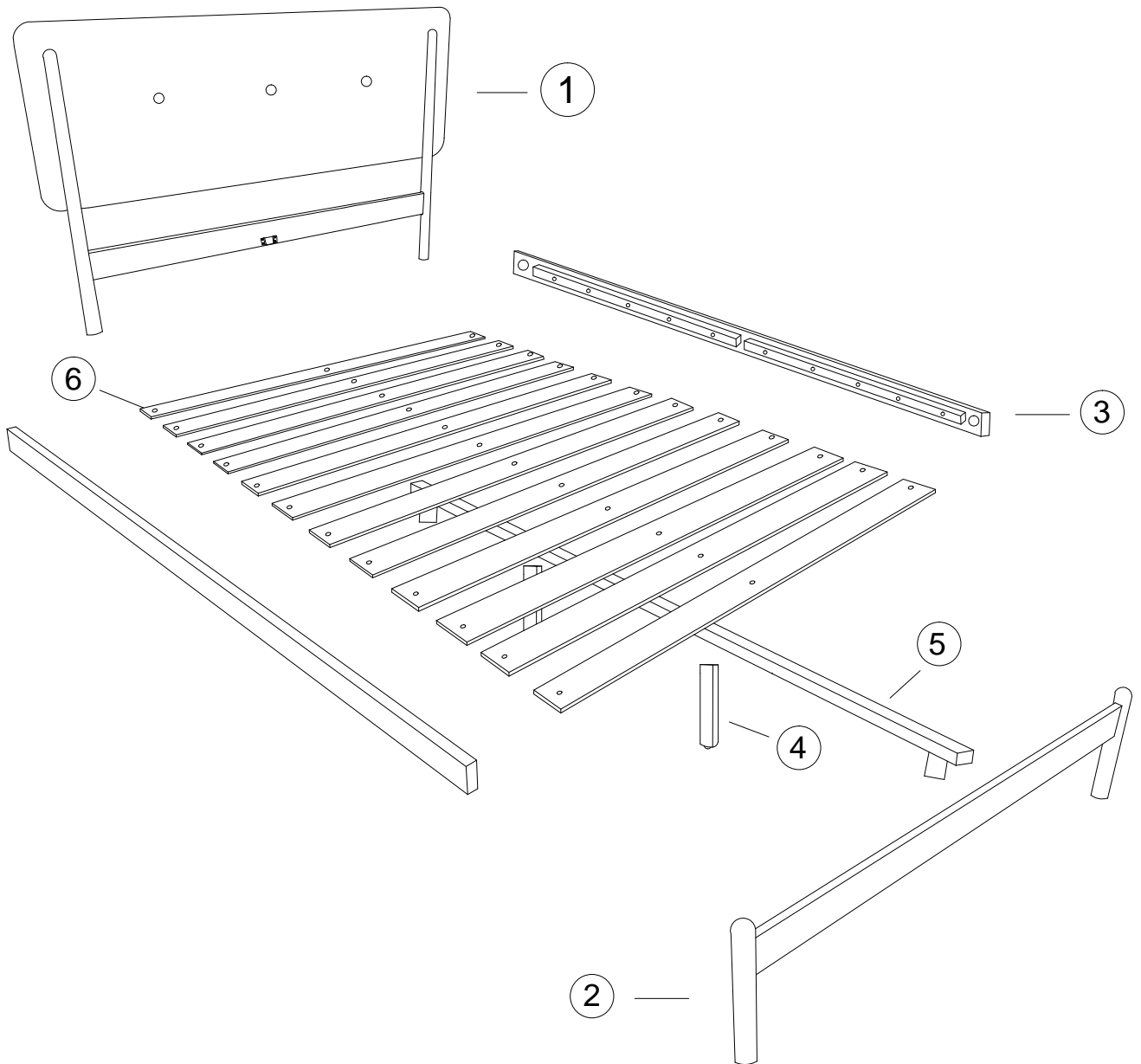
ANTES DE EMPEZAR
CONSULTE LOS CONSEJOS
PARA EL MONTAJE

PRIJE MONTIRANJA OVOG
ARTIKLA, MOLIMO PROU
ČITE PRILO ŽENE UPUTE
ZA MONTAŽU

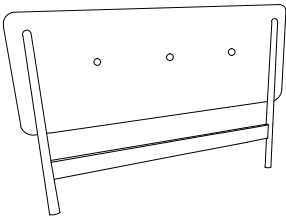
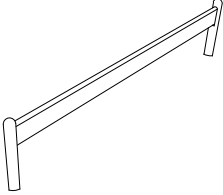
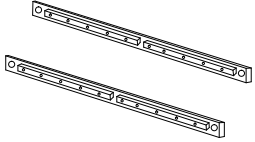

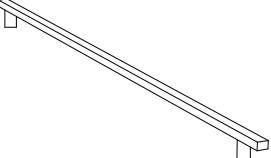
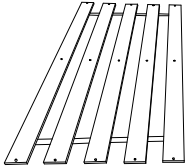
BASLAMADAN ÖNCE,
EKTEKI MONTAJ TALIMLARINI
İNCELEYİNİZ

Tamaño de la caja Dimenslons cois Carton dimension	Peso bruto Poids brut Gross weight	Peso neto Poids net Net weight
185 x 124 x 6.5 (CM)	25.0 KG	20.0 KG
162.5 x 16 x 11 (CM)	13.2 KG	12.0 KG
201.8 x 11.7 x 10.5 (CM)	11.0 KG	9.8 KG

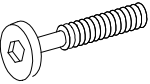
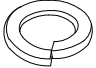
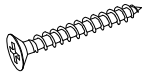


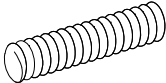
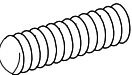
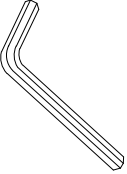







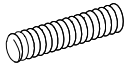
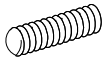
LISTADO DE PIEZAS
COMPOSANTS
PART LIST

1		1 PC	2		1 PC	3		2 PC
4		2 PC	5		1 PC	6		10 PC

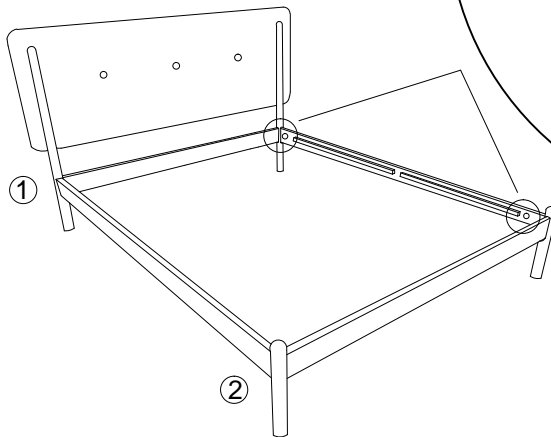
HERRAJES
QUINCALLERIE
HARDWARE

A	 M6*30MM	2 PCS	B	 M6	2 PCS	C	 M4*25MM	30 PCS
D	 M8	4 PCS	E	 M8	4 PCS	F	 M8*80MM	4 PCS
G	 M8*40MM	8 PCS	H	 M4	1 PCS	I	 SPANNER	1 PCS
J	 PASTE PAD	4 PCS	K	 M6 ADJUSTER	2 PCS			

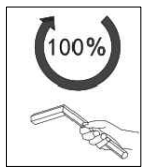
STEP 1 / ETAPE 1


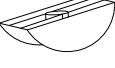

G		4 PCS
F		8 PCS

KNOCK IN THE STUD SCREW WITH HAMMER, AFTER CROP IN THE LEG

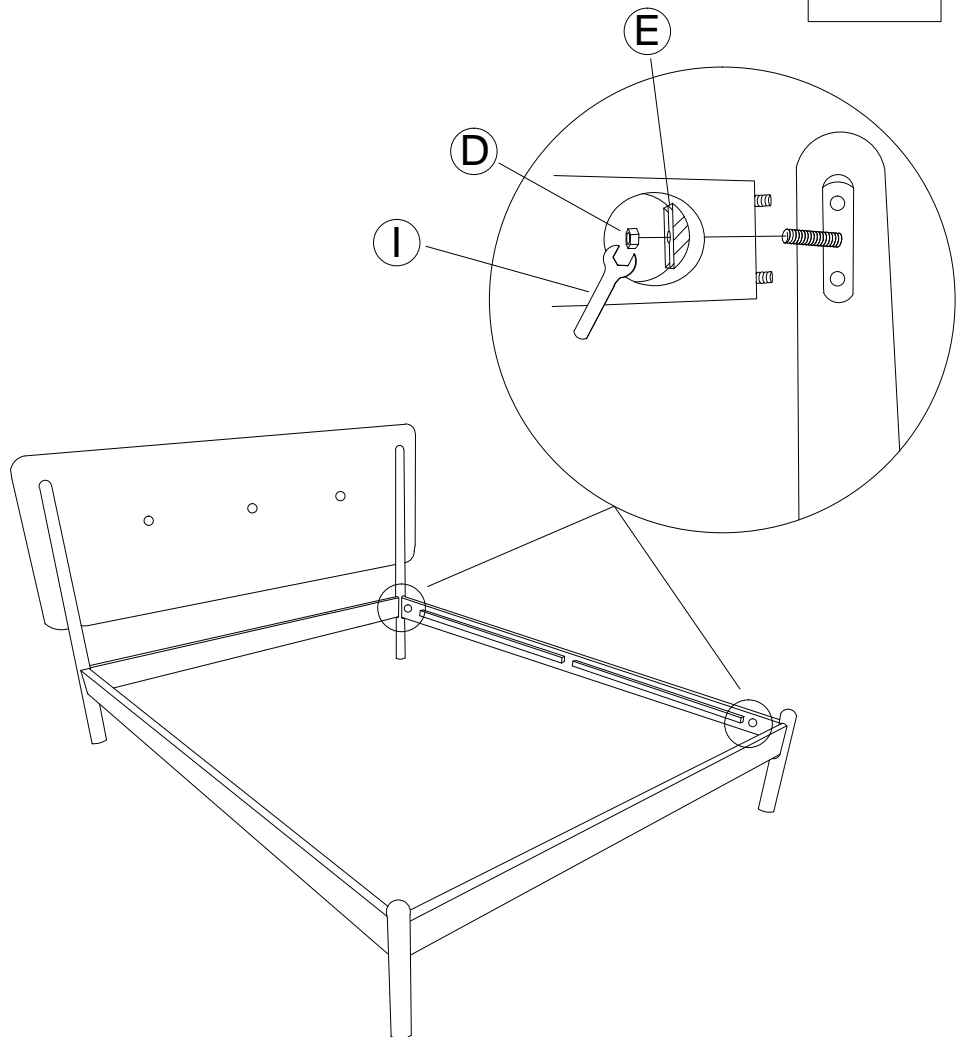


STEP 2 / ETAPE 2

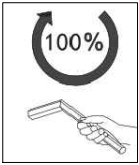


D		4 PCS
E		4 PCS
I		1 PCS

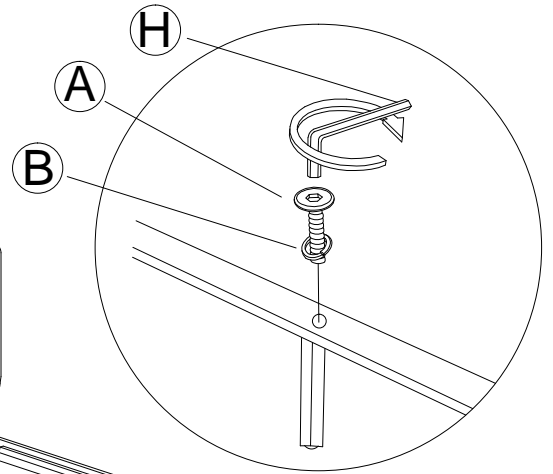
X 4



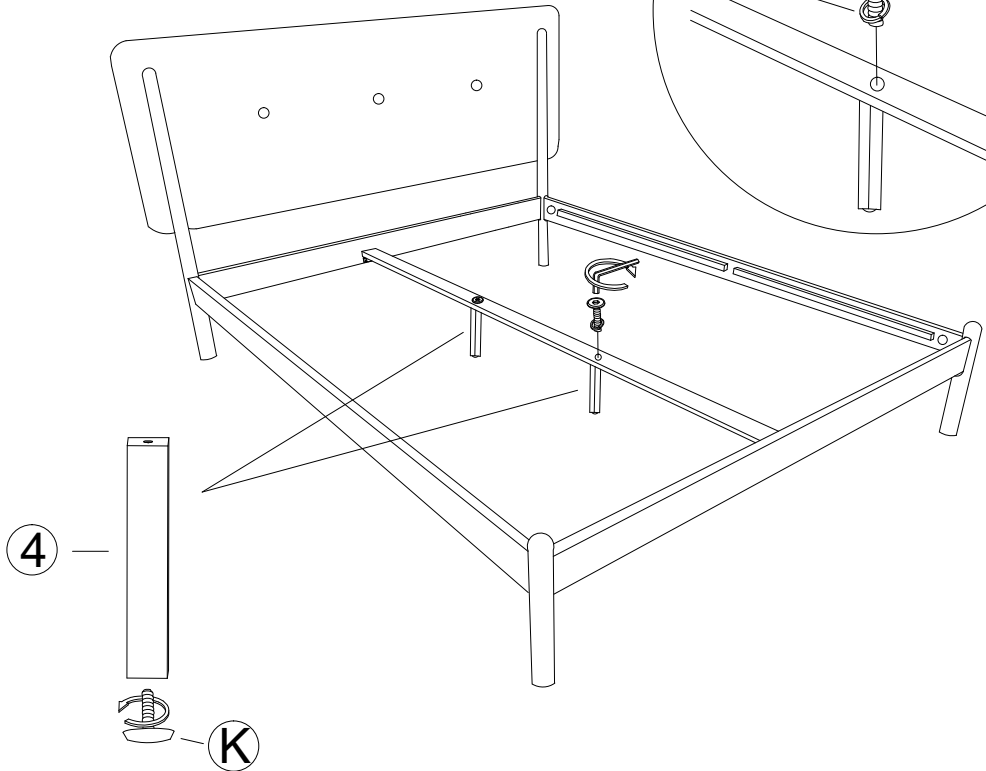
STEP 3 / ETAPE 3



X 2



A		2 PCS
B		2 PCS
H		1 PCS
K		2 PCS

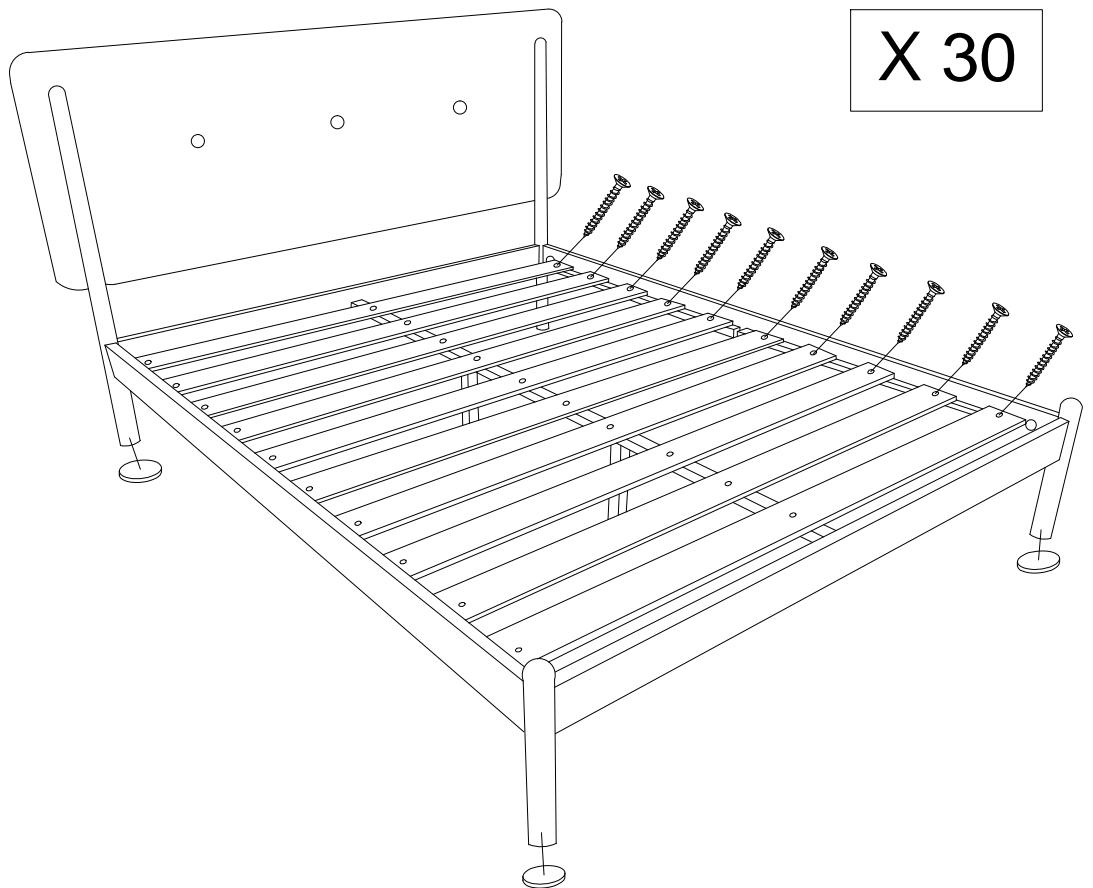
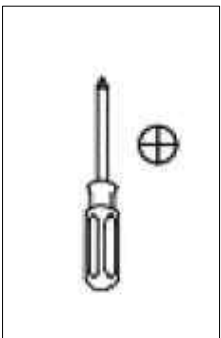


STEP 4 / ETAPE 4

X 30

C		30 PCS
J		4 PCS

USE SCREW DRIVER
TIE THE BED SLAT



PRODUIT MONTE

