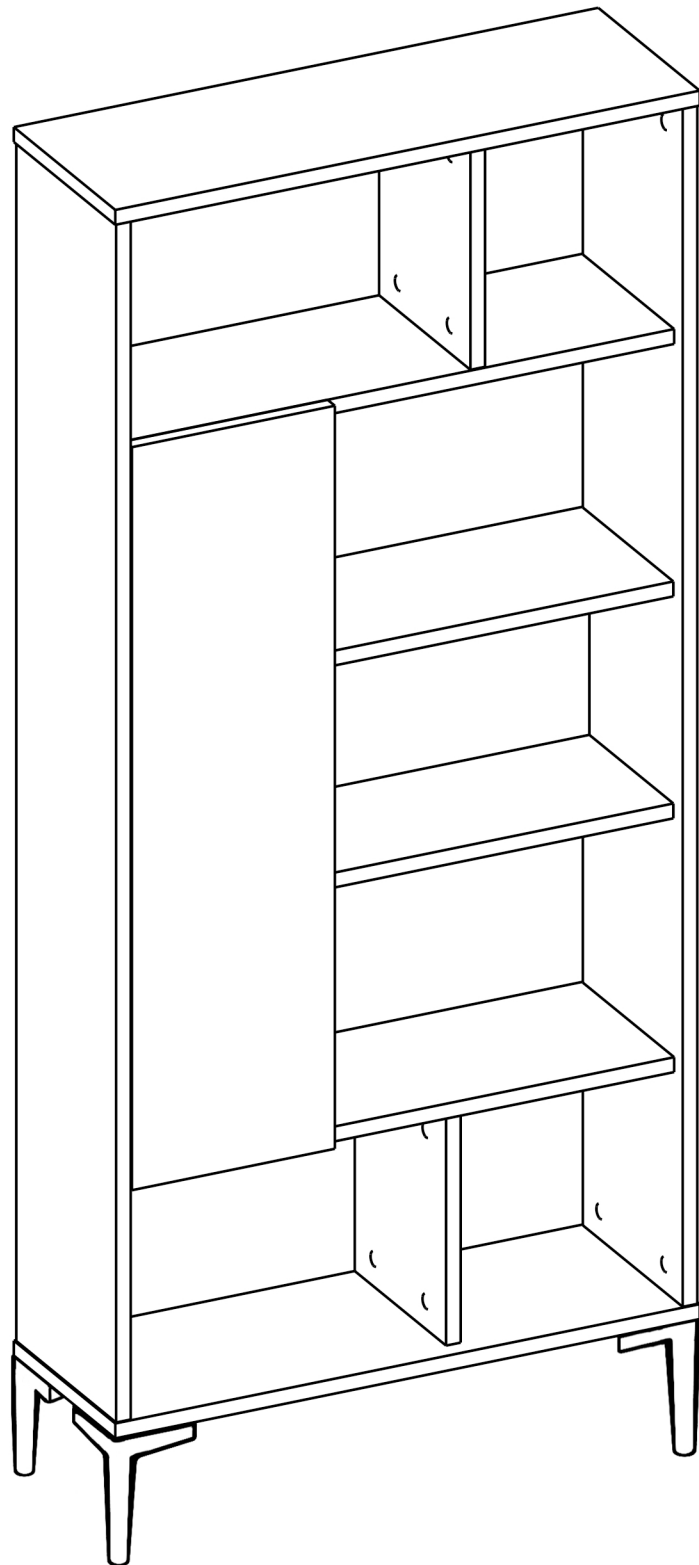


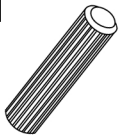




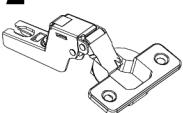
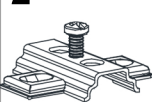

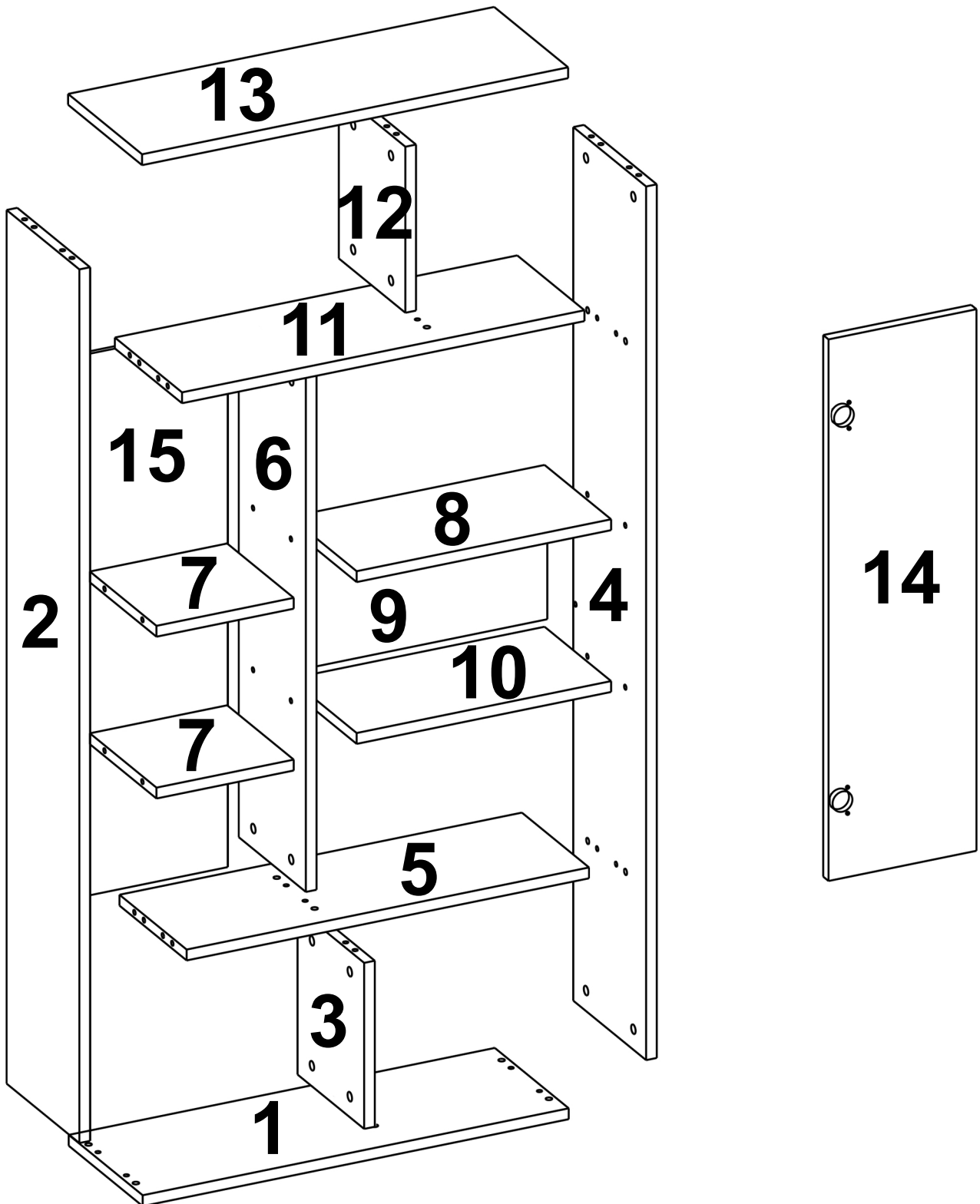
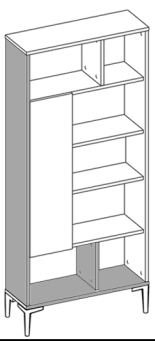


AR4



1  B0501 x29	1  B0502 x29	1  B0503 x50	1  B0504 x29	2  B0301 x9
P  B1004 x4	2  B0318 x15	2  B0103 x2	2  B0105 x2	2  B0326 x17





B0502

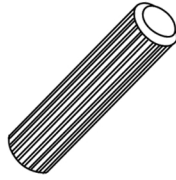
B0503

B0504

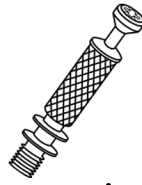
B0501



x4



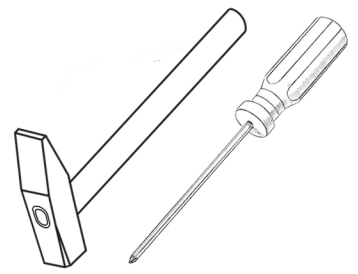
x4



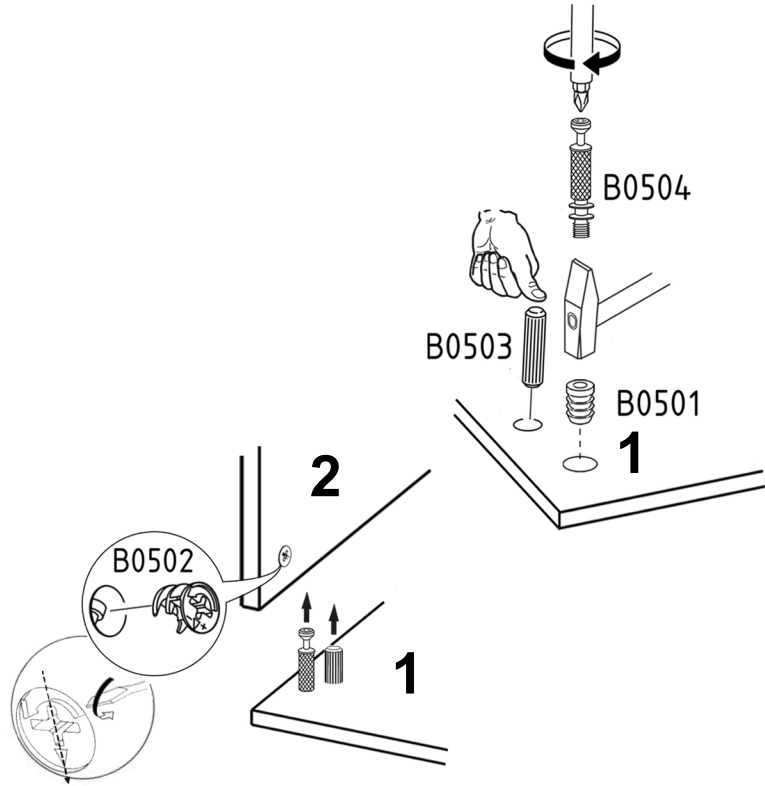
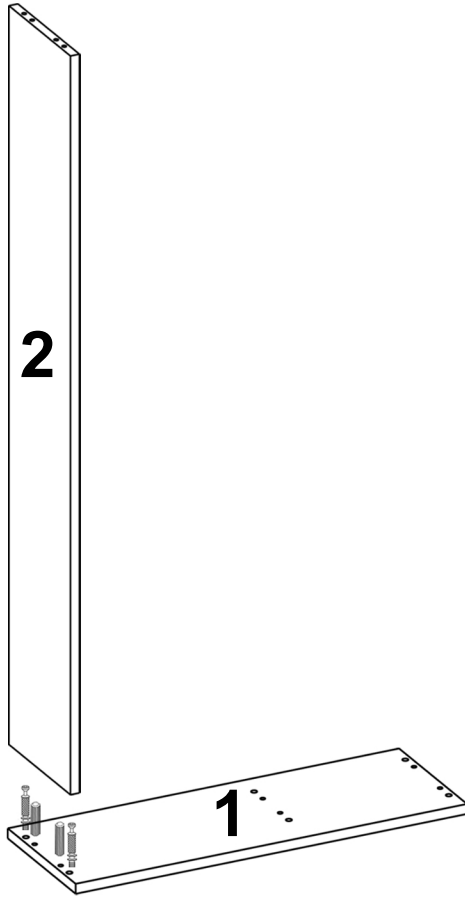
x4



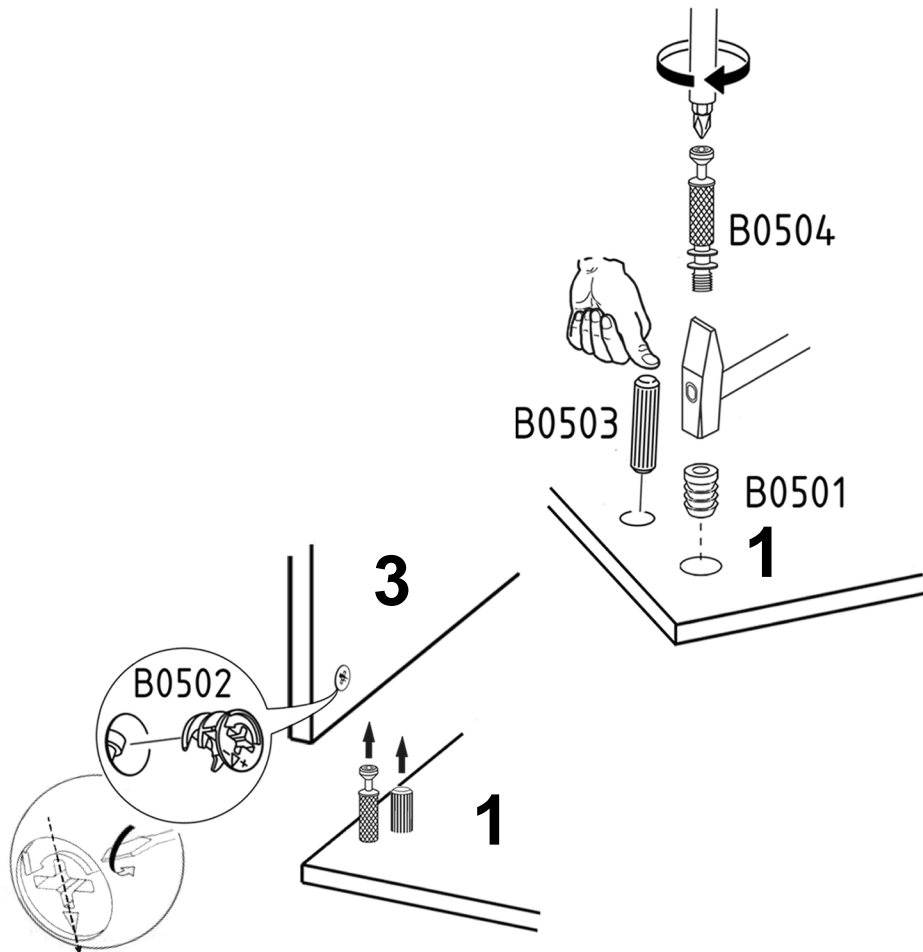
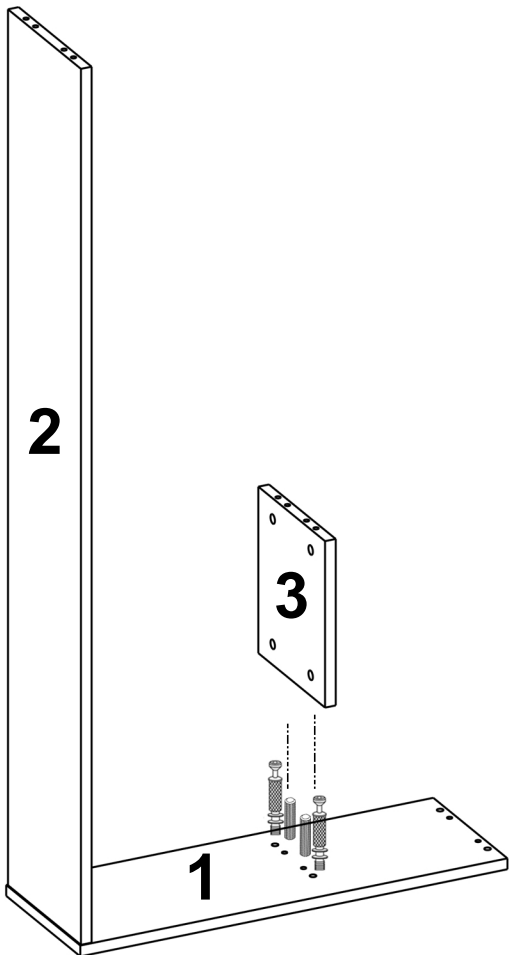
x4



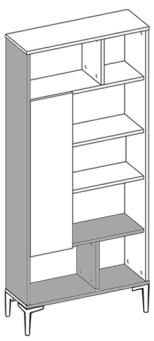
1



2



3

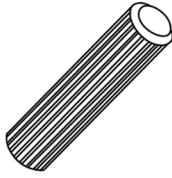


B0502



x4

B0503



x8

B0504

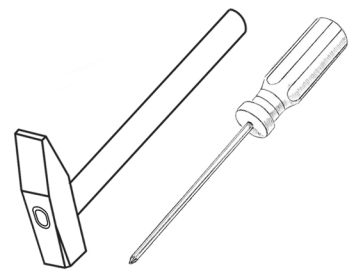


x4

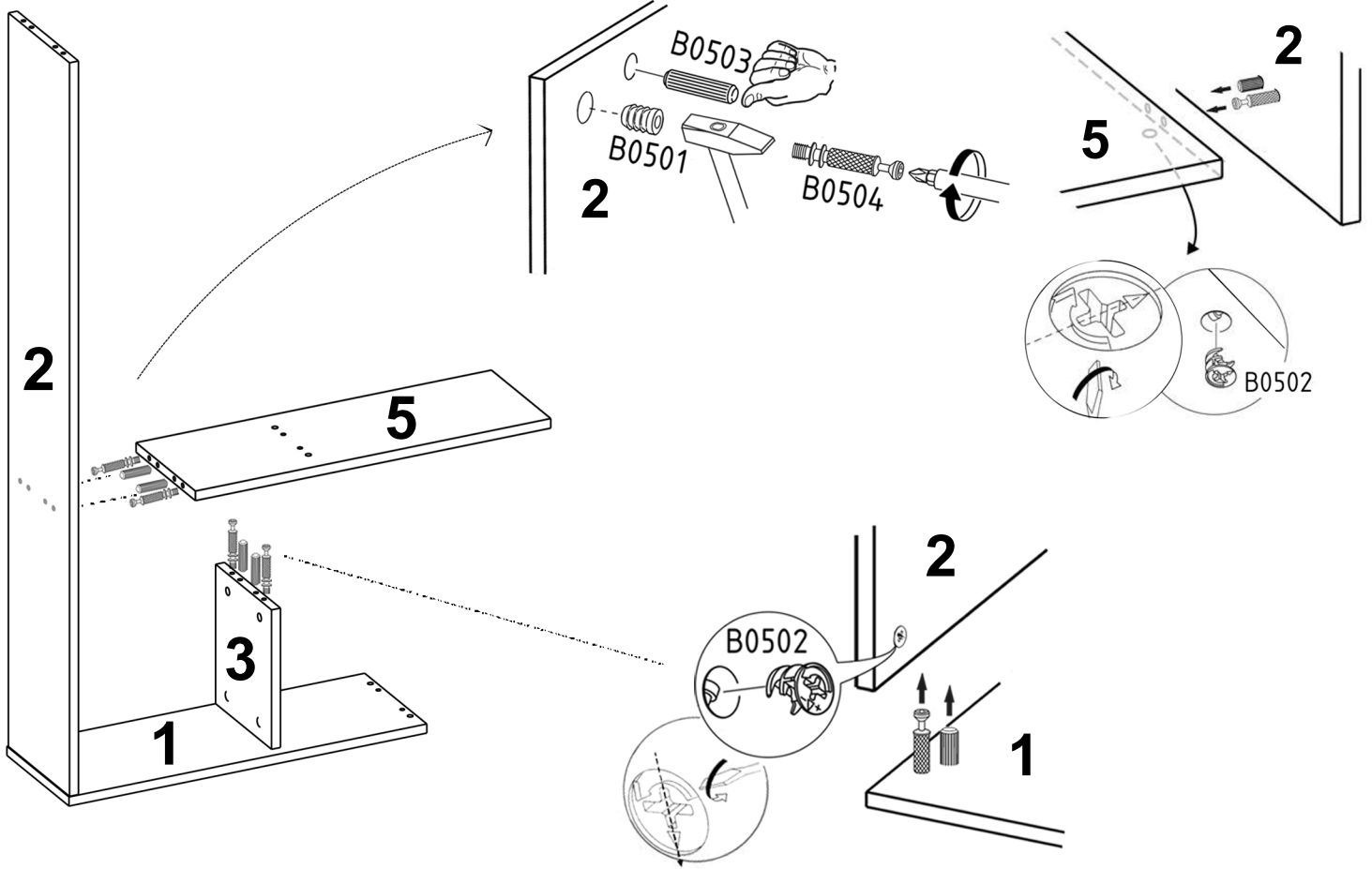
B0501



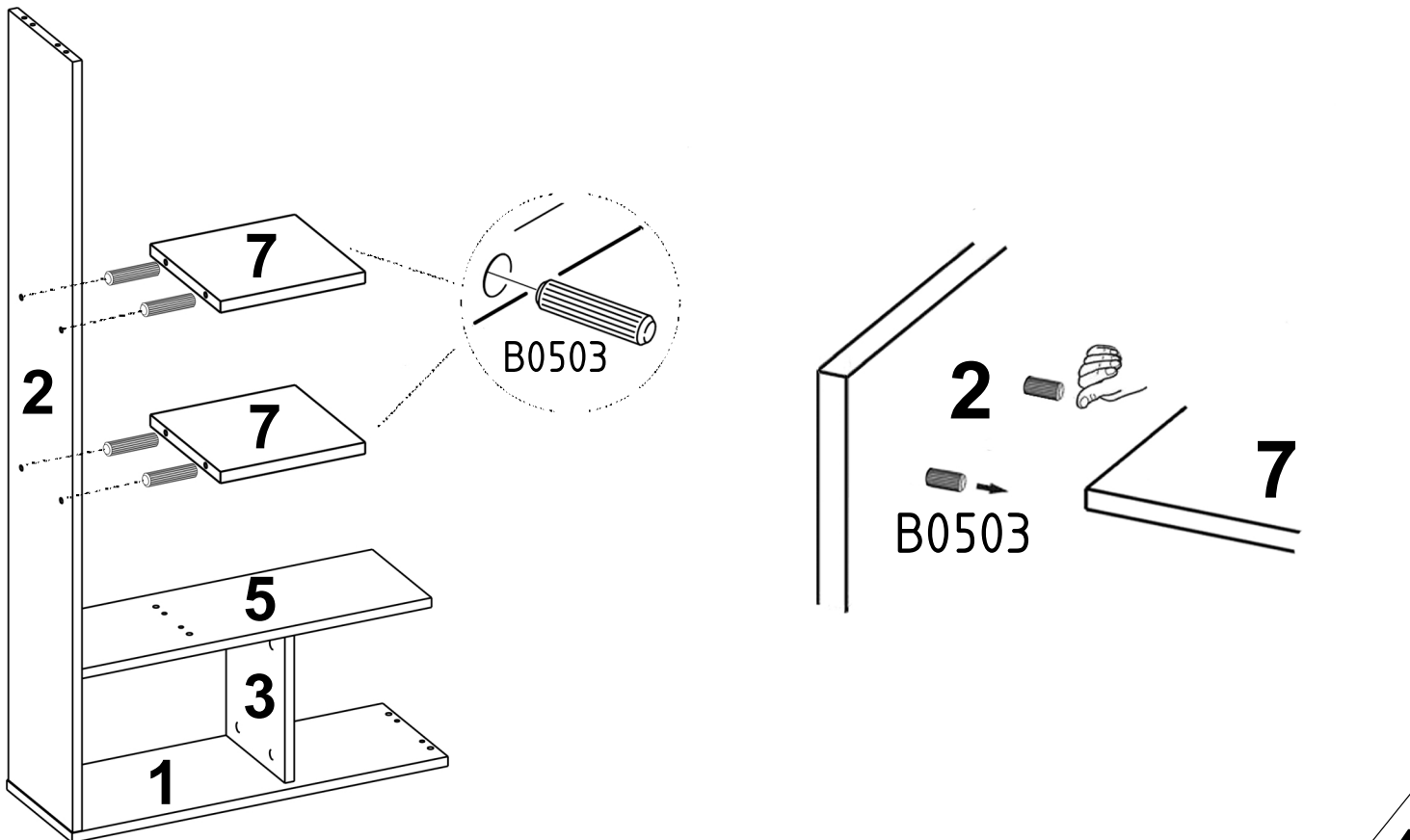
x4

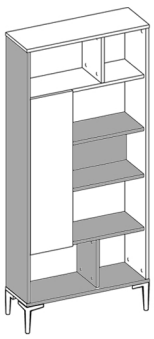


3



4





B0502

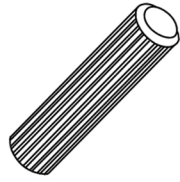
B0503

B0504

B0501



x2



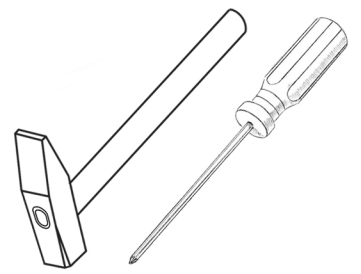
x12



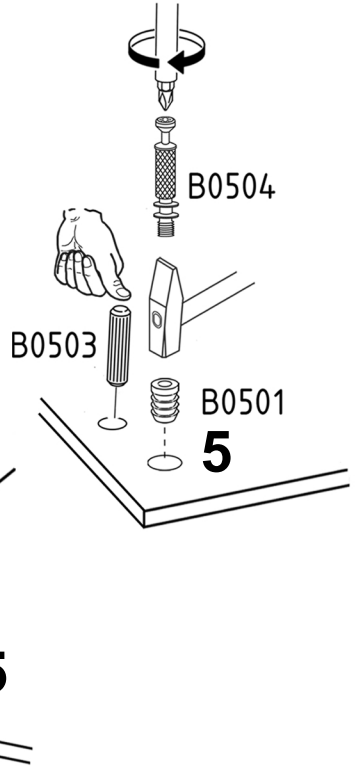
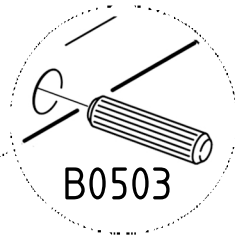
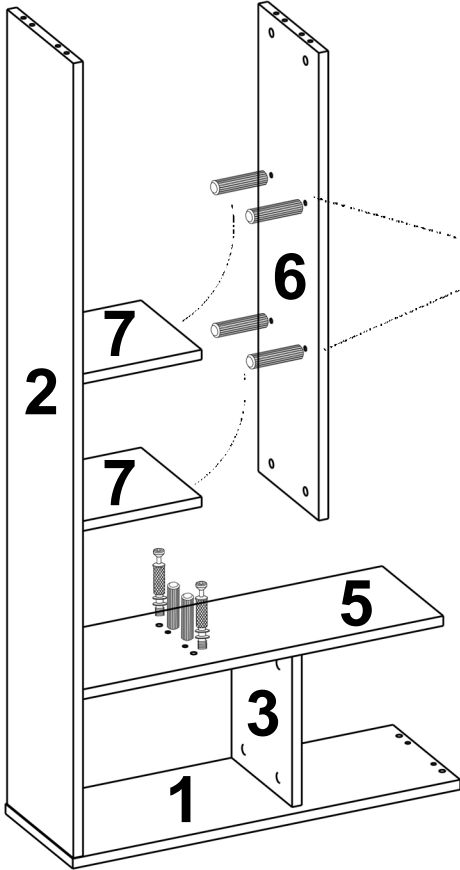
x2



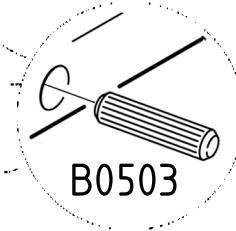
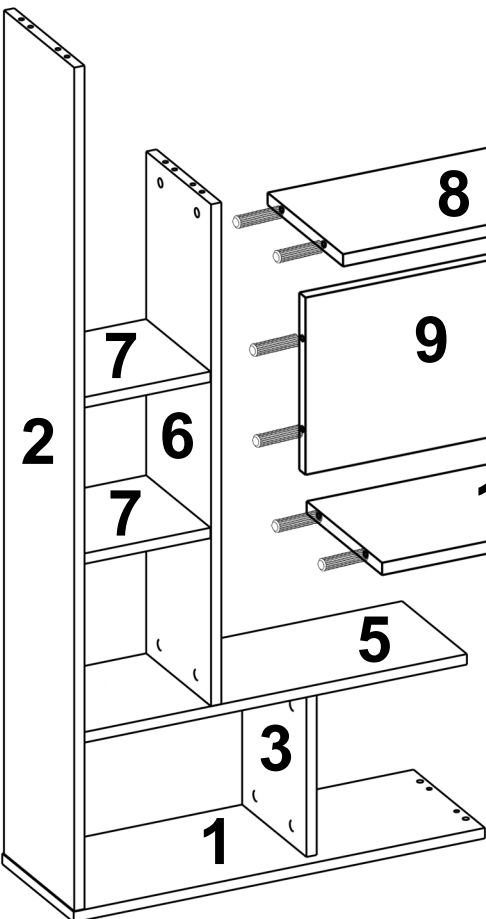
x2

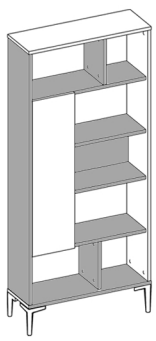


5



6





B0502

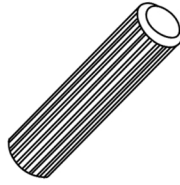
B0503

B0504

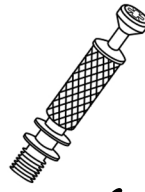
B0501



x6



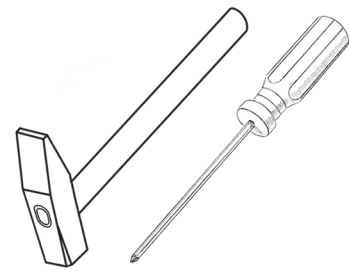
x6



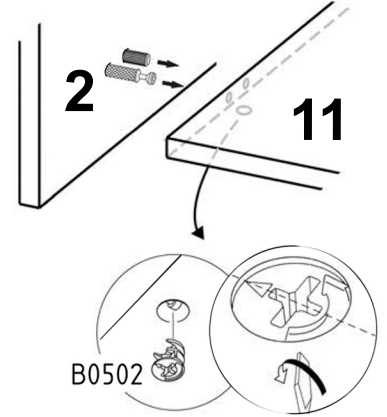
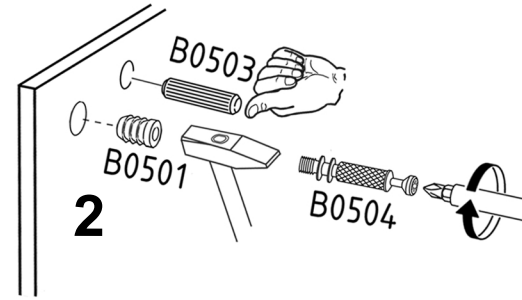
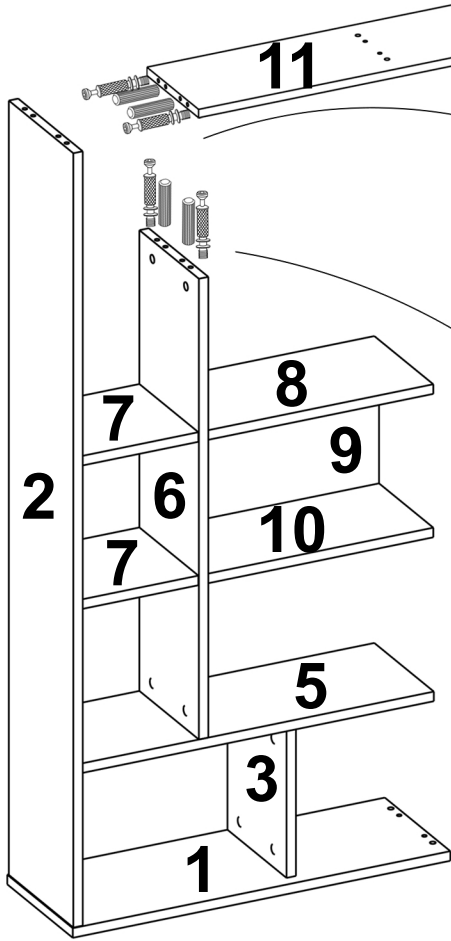
x6



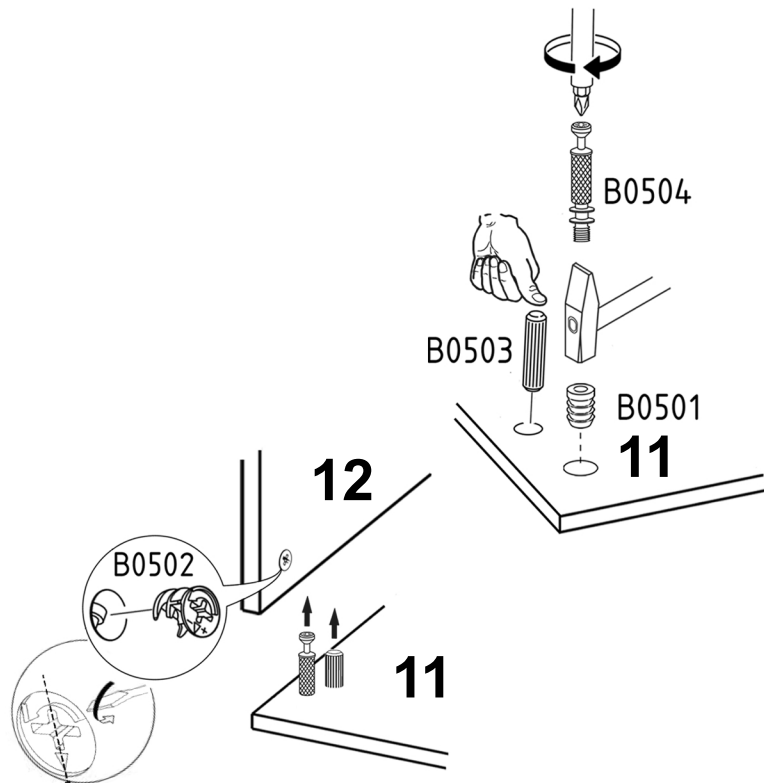
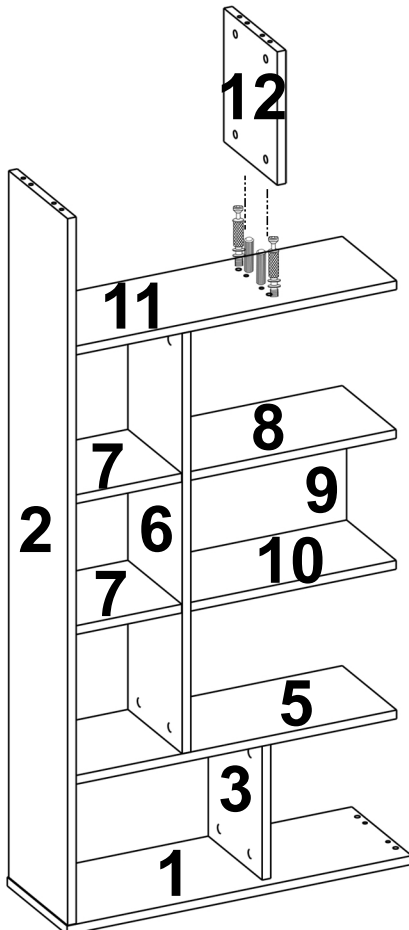
x6

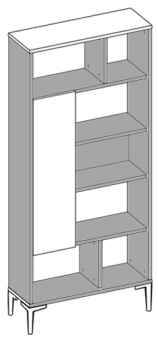


7



8



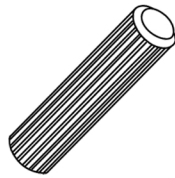


B0502



x6

B0503



x12

B0504

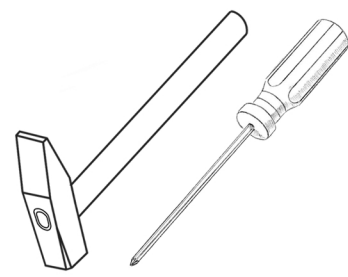


x6

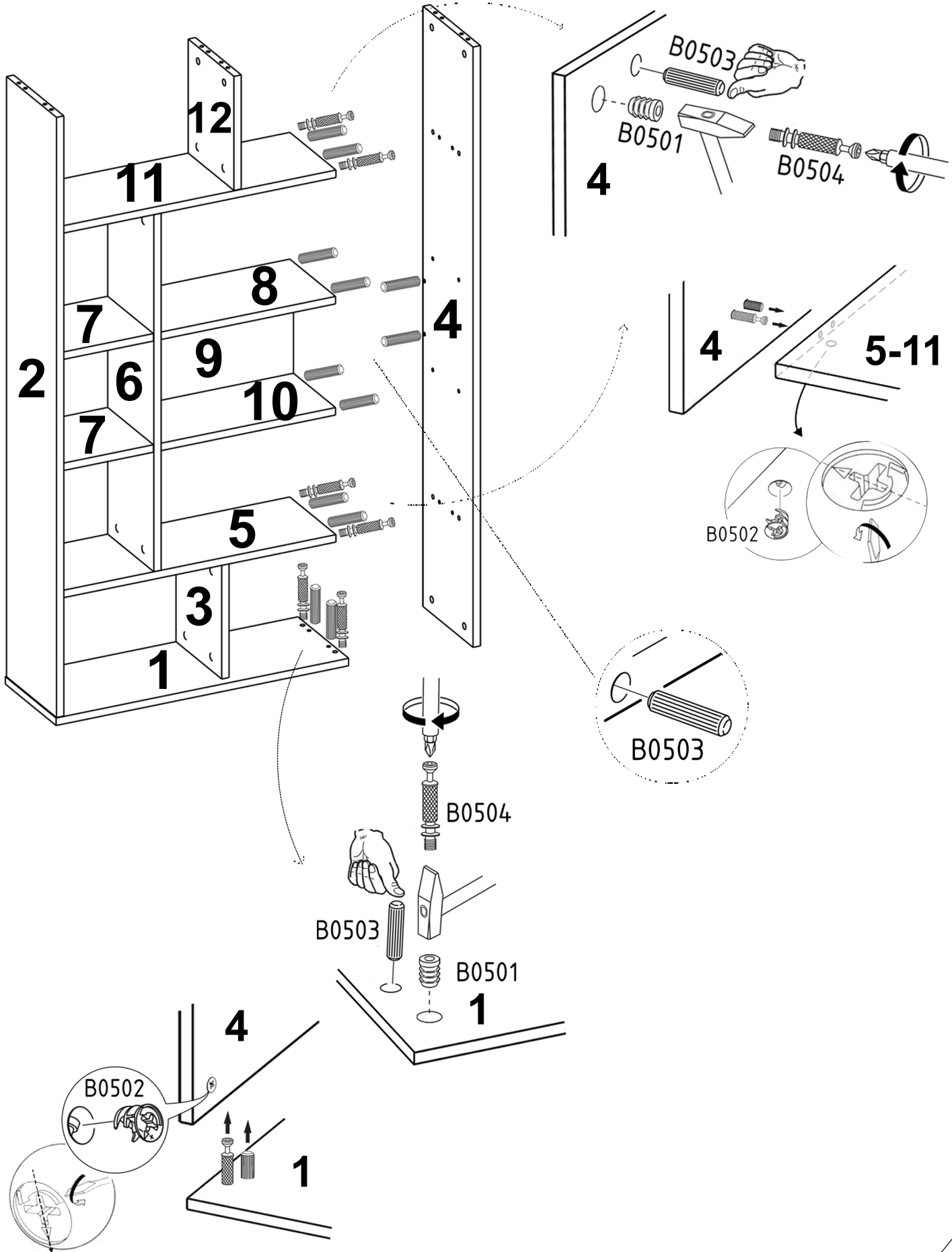
B0501

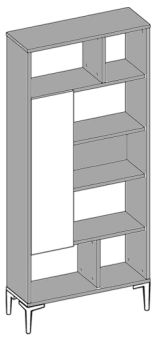


x6



9





B0502

B0503

B0504

B0501

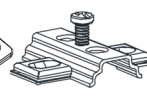
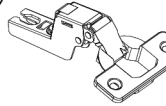
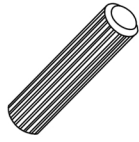
B0326

B0103

B0105

B1004

B0301



x6

x6

x6

x6

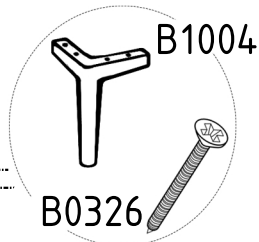
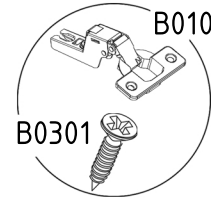
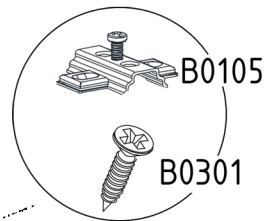
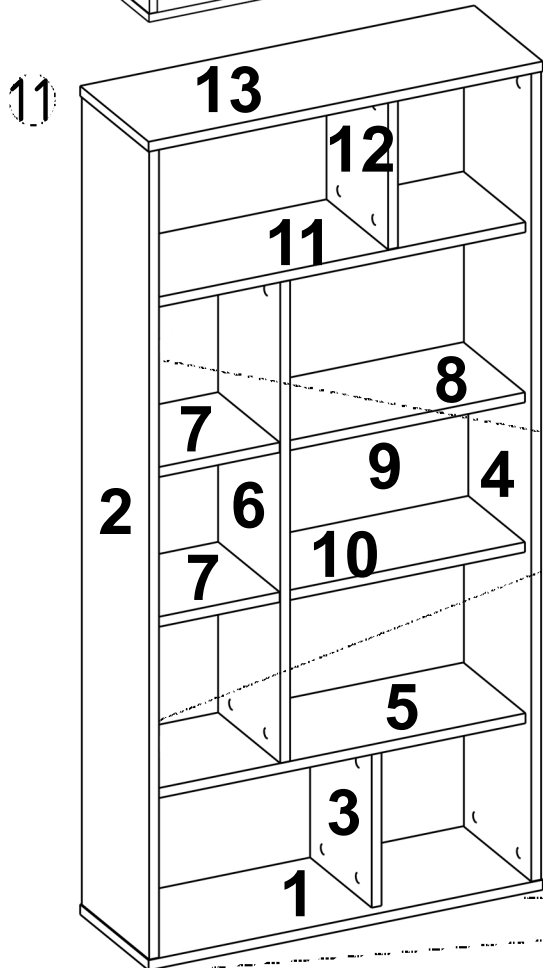
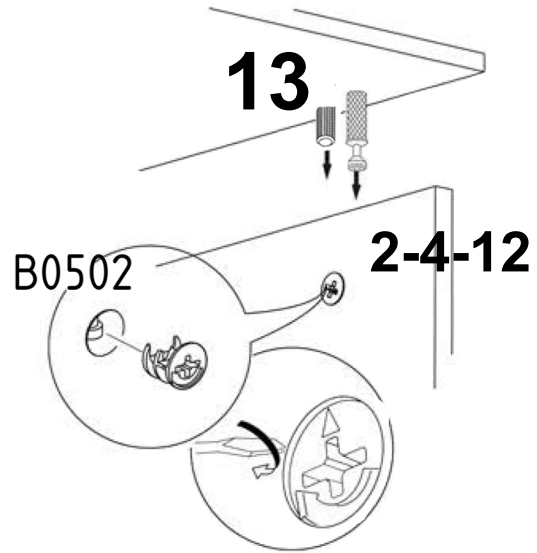
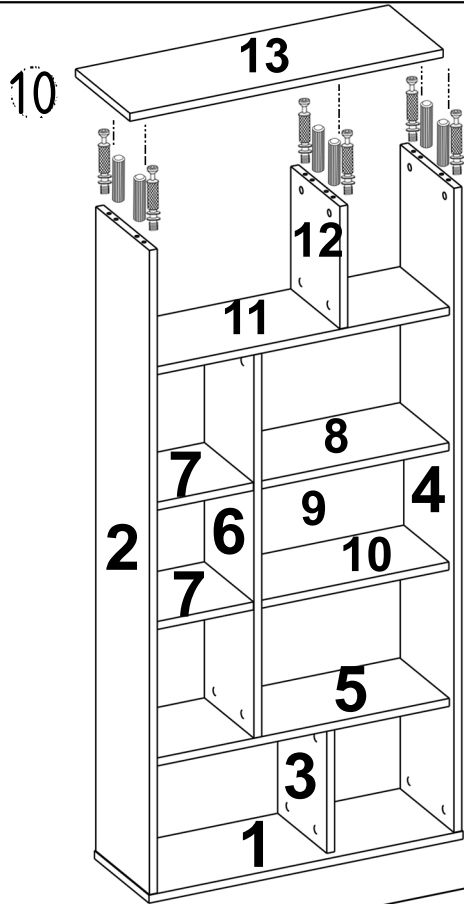
x16

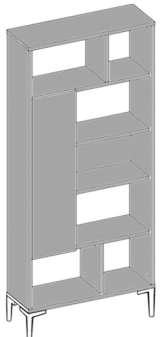
x2

x2

x4

x8





B0318



x15

