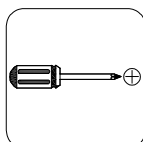
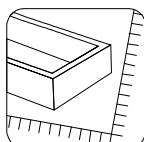
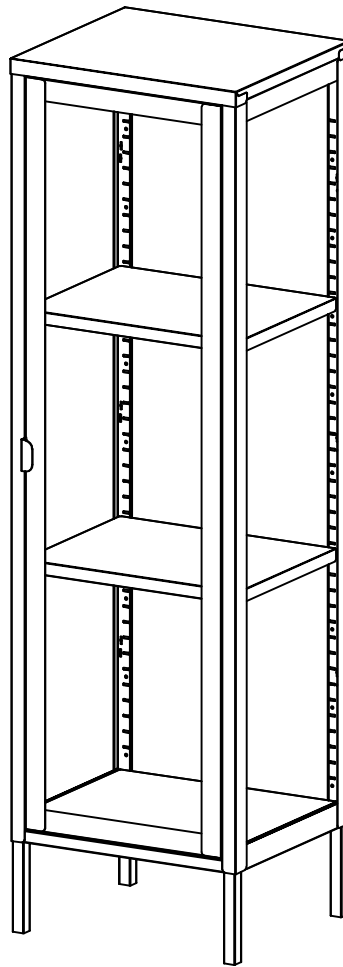
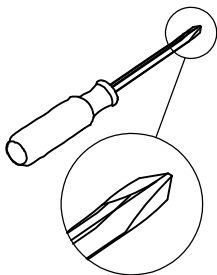
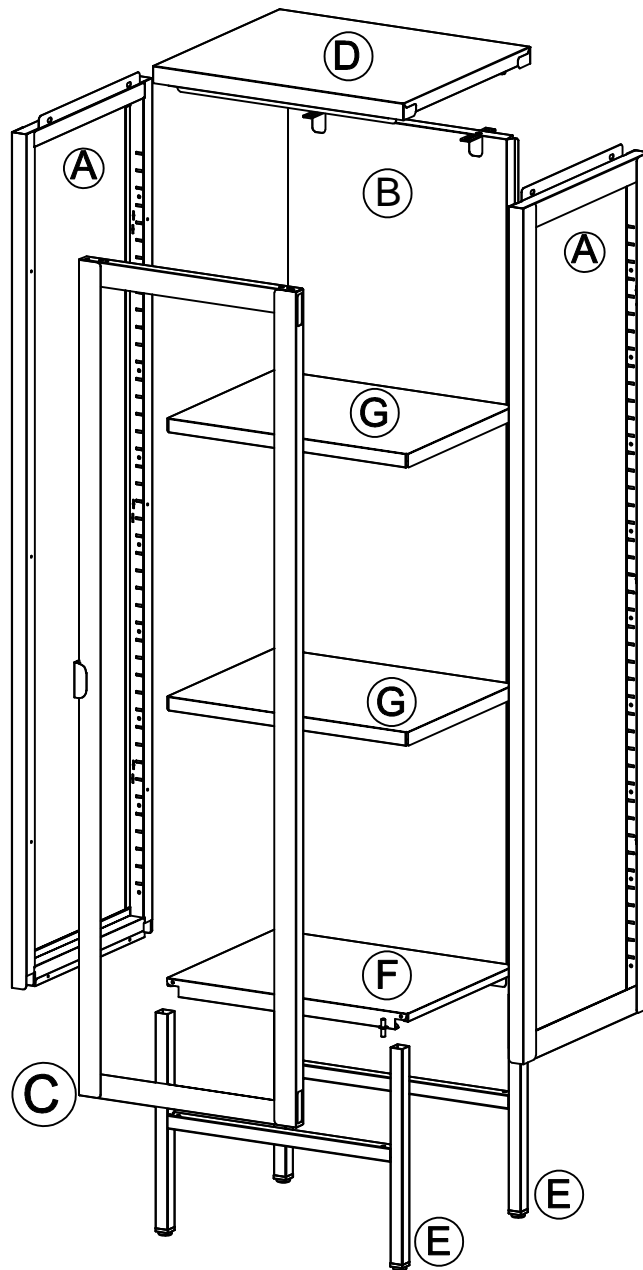


3003005

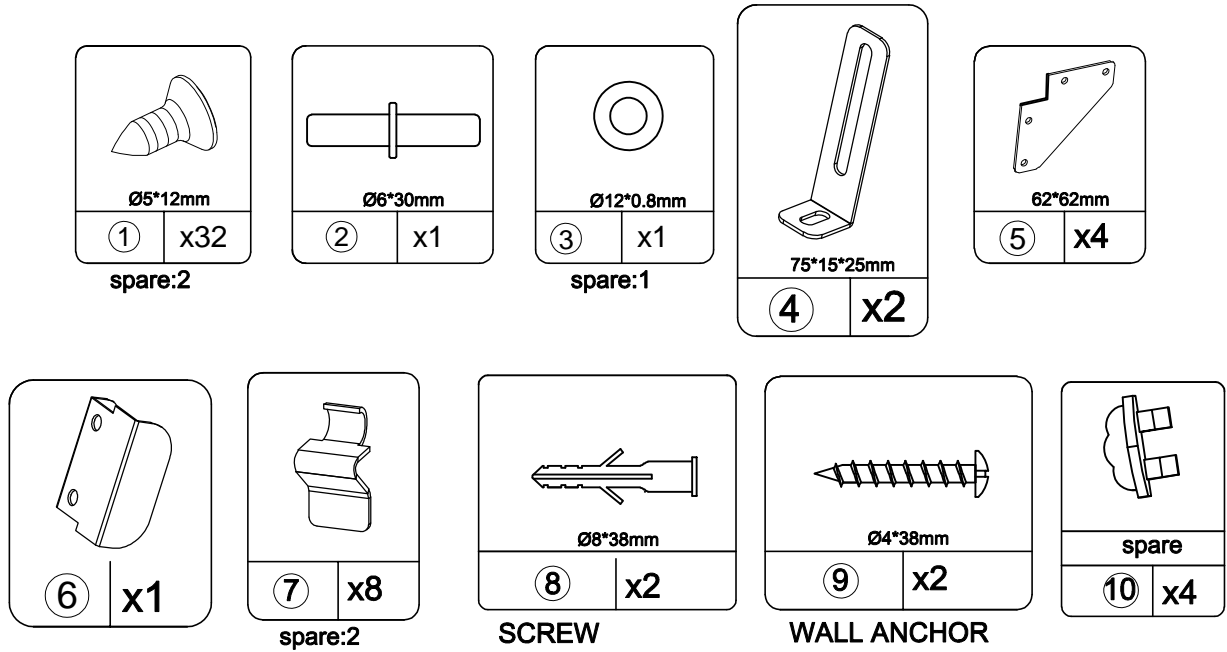
Brisbane Slim Display Cabinet,
1 glass door, black metal



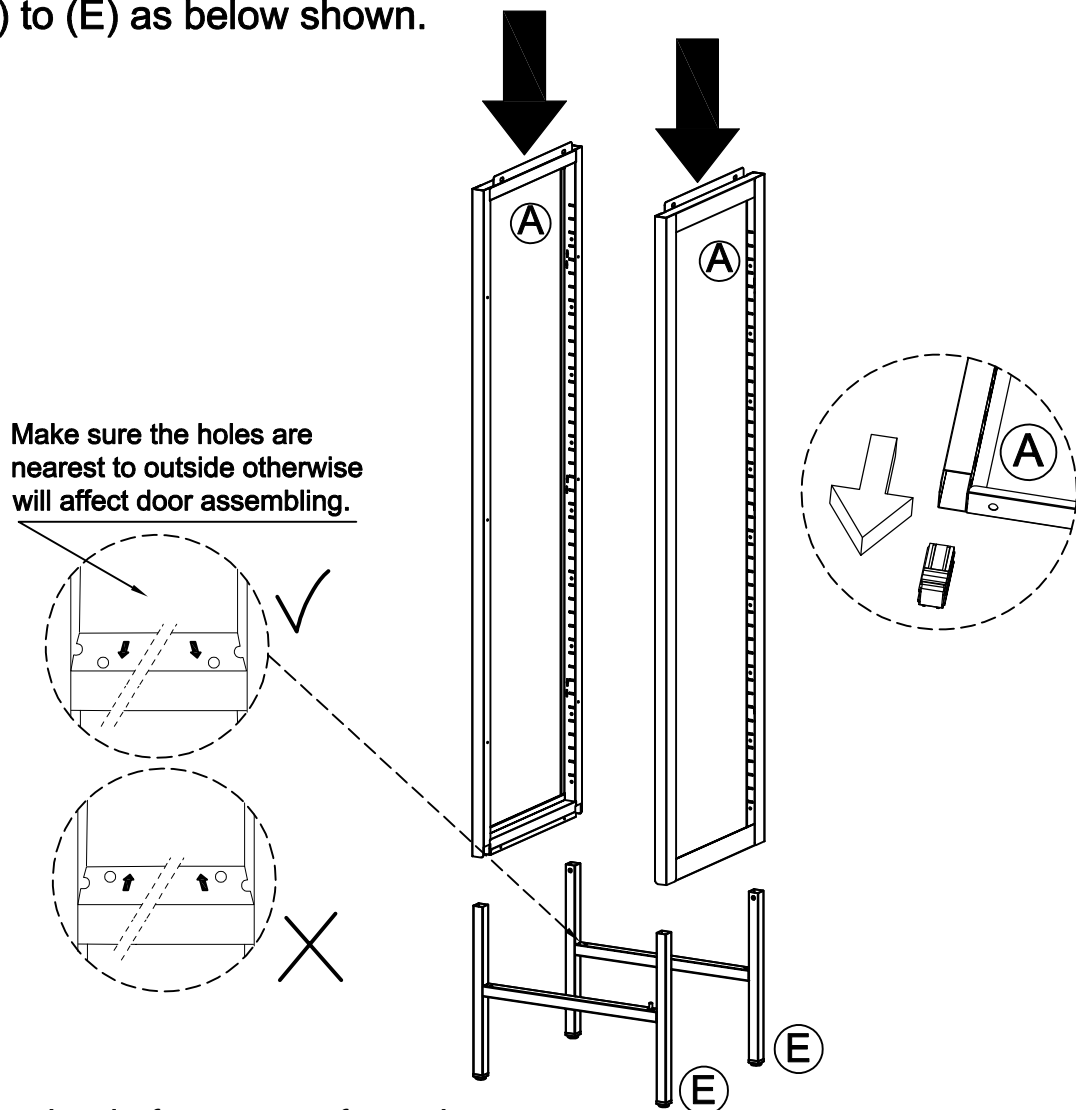


Hardware	Ctn No.	1
----------	---------	---

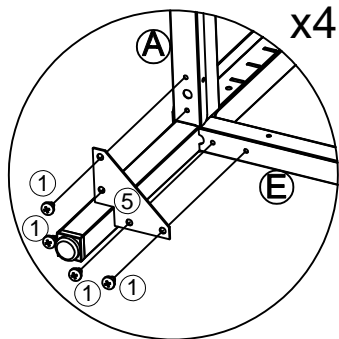
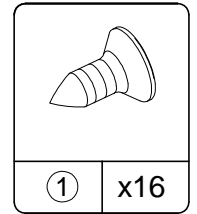
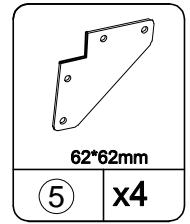
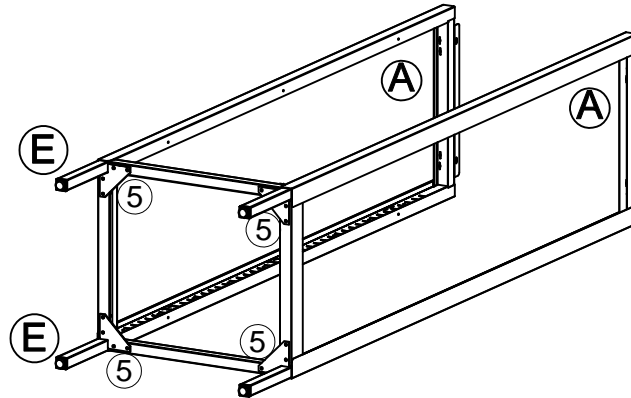
No.	Size	Qty
A	1248x350x24mm	2
B	1220x450x23mm	1
C	1201x349x20mm	1
D	401.5x352x38mm	1
E	320x397x20mm	2
F	386x301x25mm	1
G	386x300x20mm	2



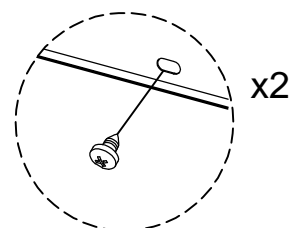
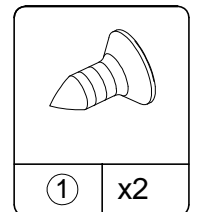
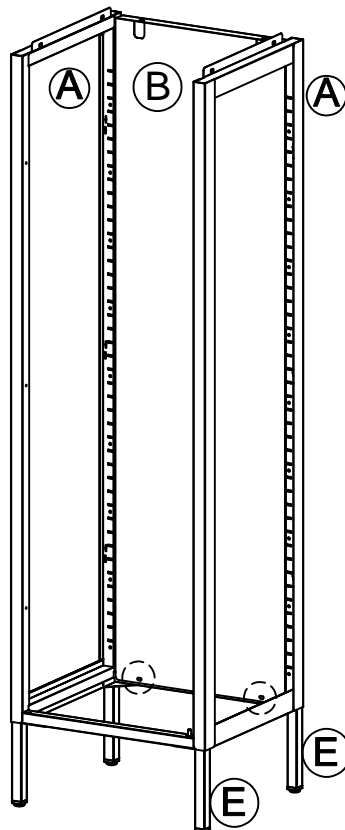
(1) - Attach (A) to (E) as below shown.



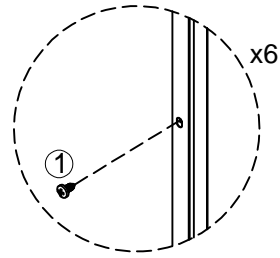
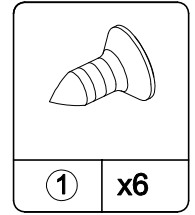
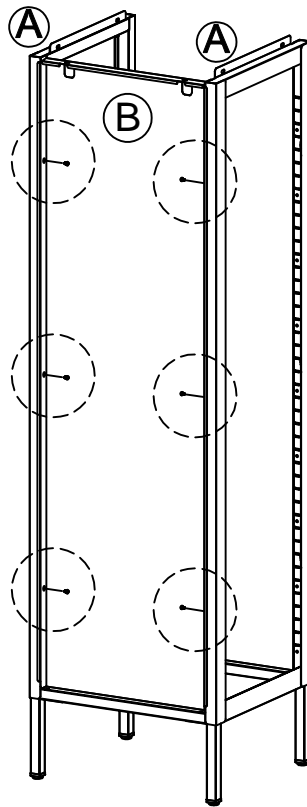
(2) - Attach ⑤ to (A)&(E) as below shown.



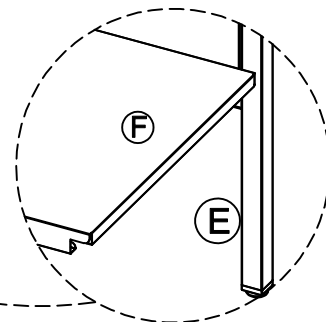
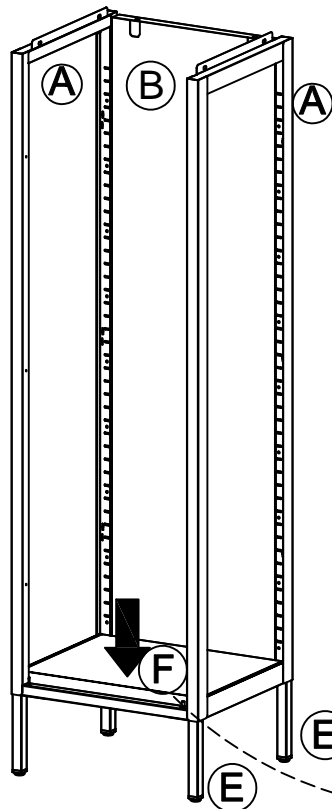
(3) - Attach (B) to (E) as below shown.



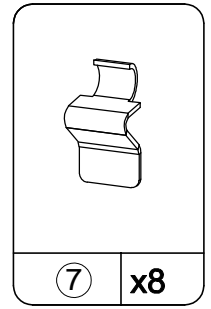
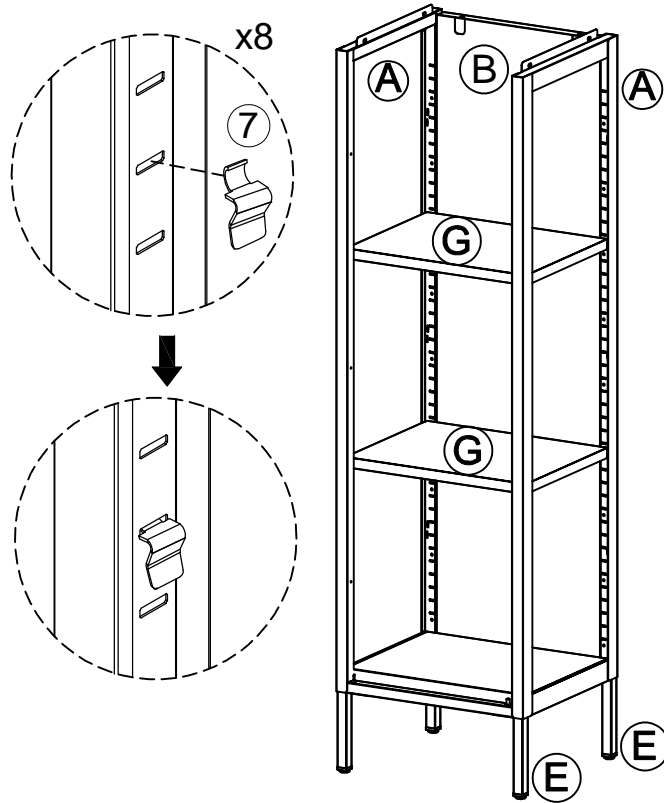
(4) - Attach (B) to (A) as below shown.



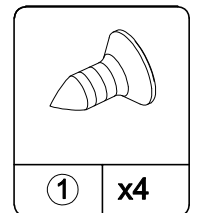
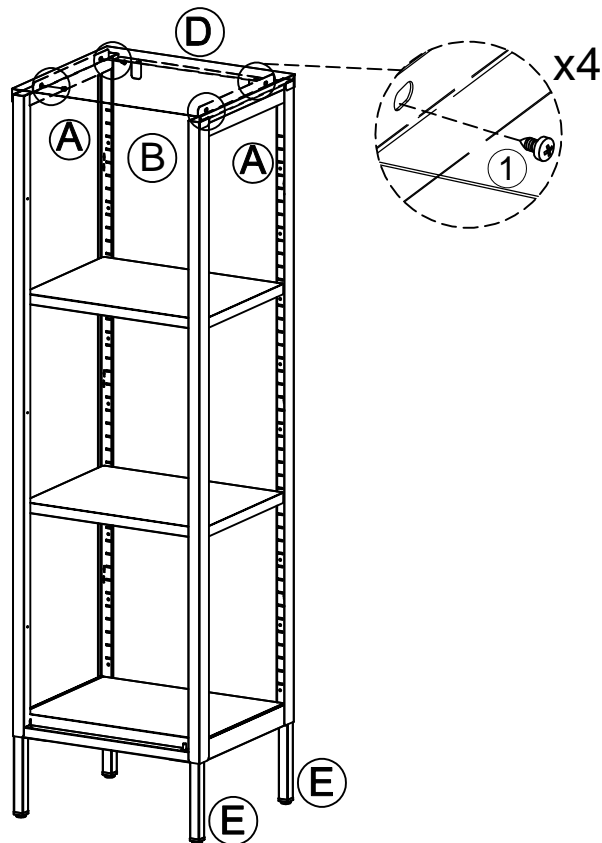
(5) - Attach (F) to (A) & (B) & (E) as below shown.



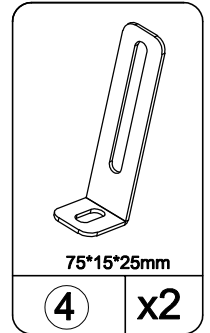
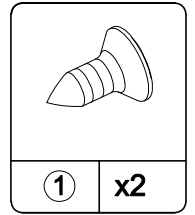
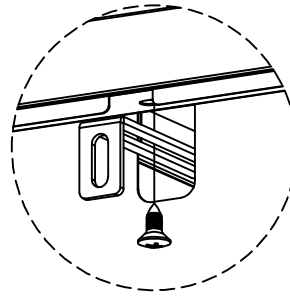
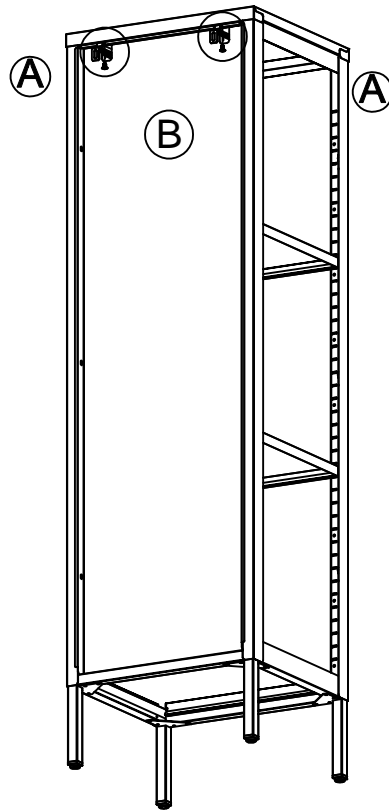
(6) - Attach (G) to pre-assembled unit as below shown.



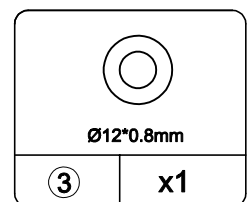
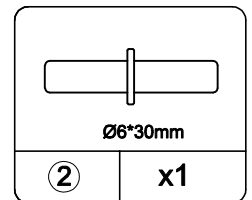
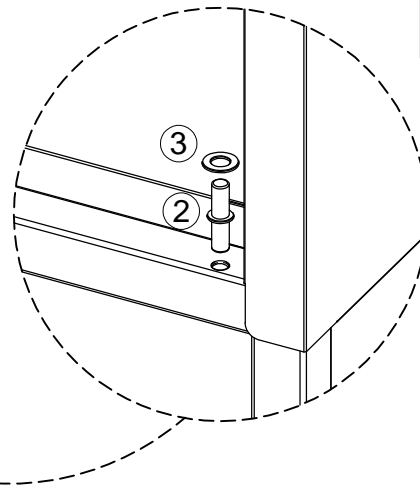
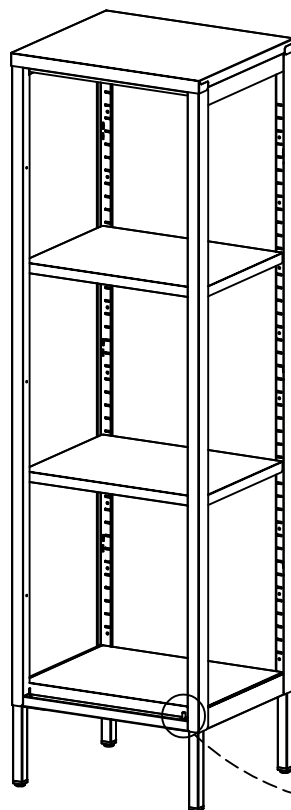
(7) - Attach (D) to (A) as below shown.



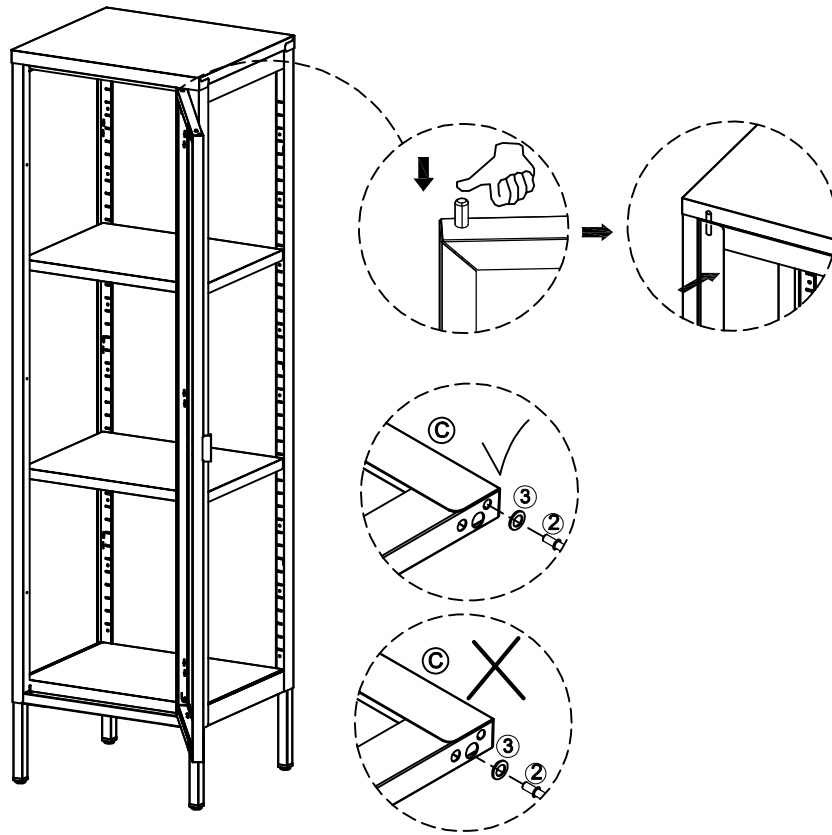
(8) - Attach (D) to (B) as below shown.



(9) - Attach (2) & (3) to pre-assembled unit as below shown.



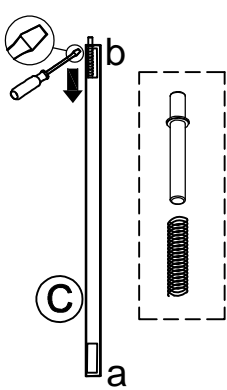
(10) - Attach (C) to pre-assembled unit as below shown.



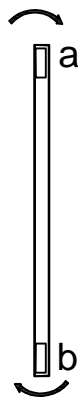
door pillar exchange process

WARNING

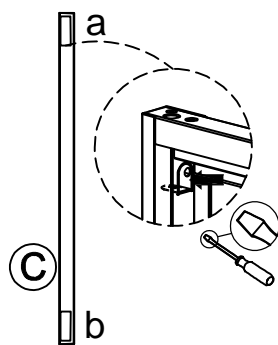
This step is just to switch the left door to the right door!



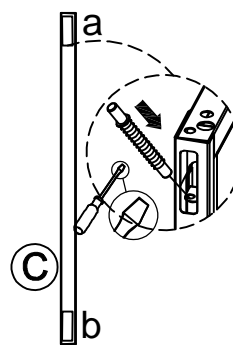
STEP 1



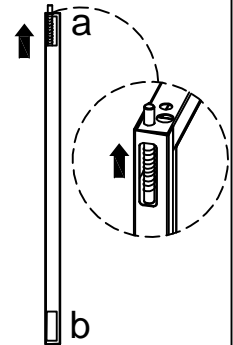
STEP 2



STEP 3

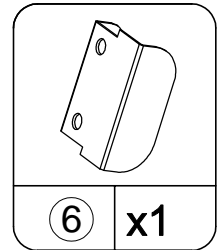
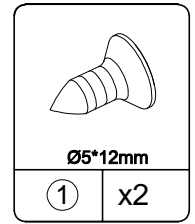
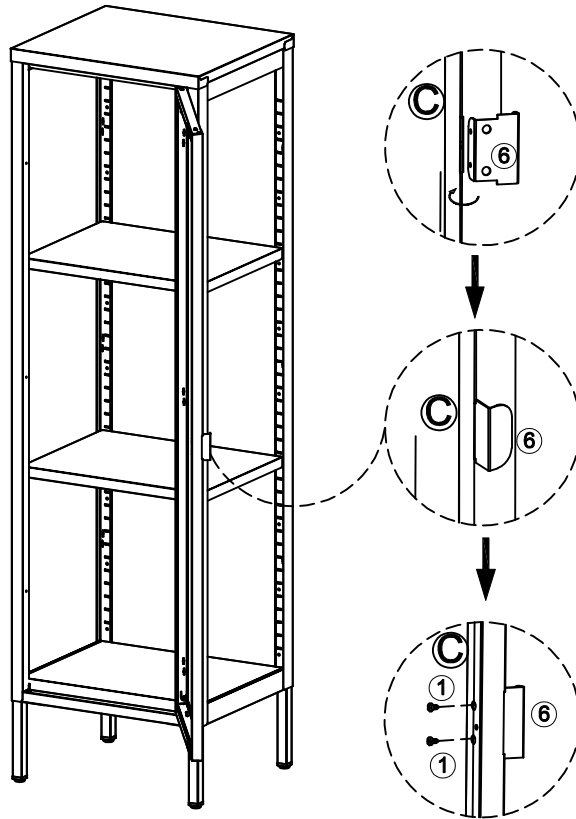


STEP 4

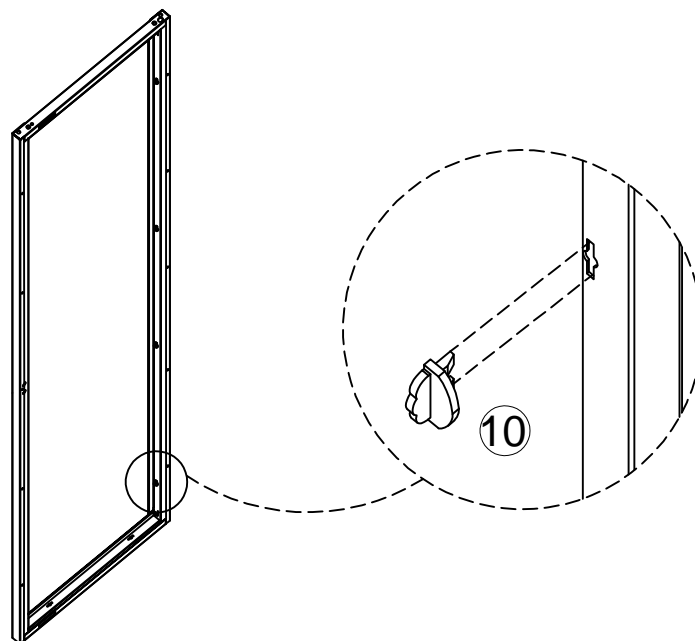


STEP 5

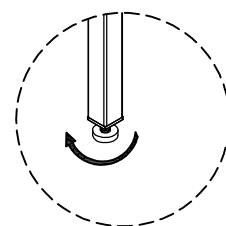
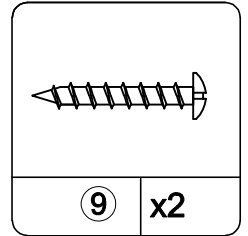
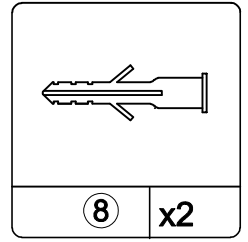
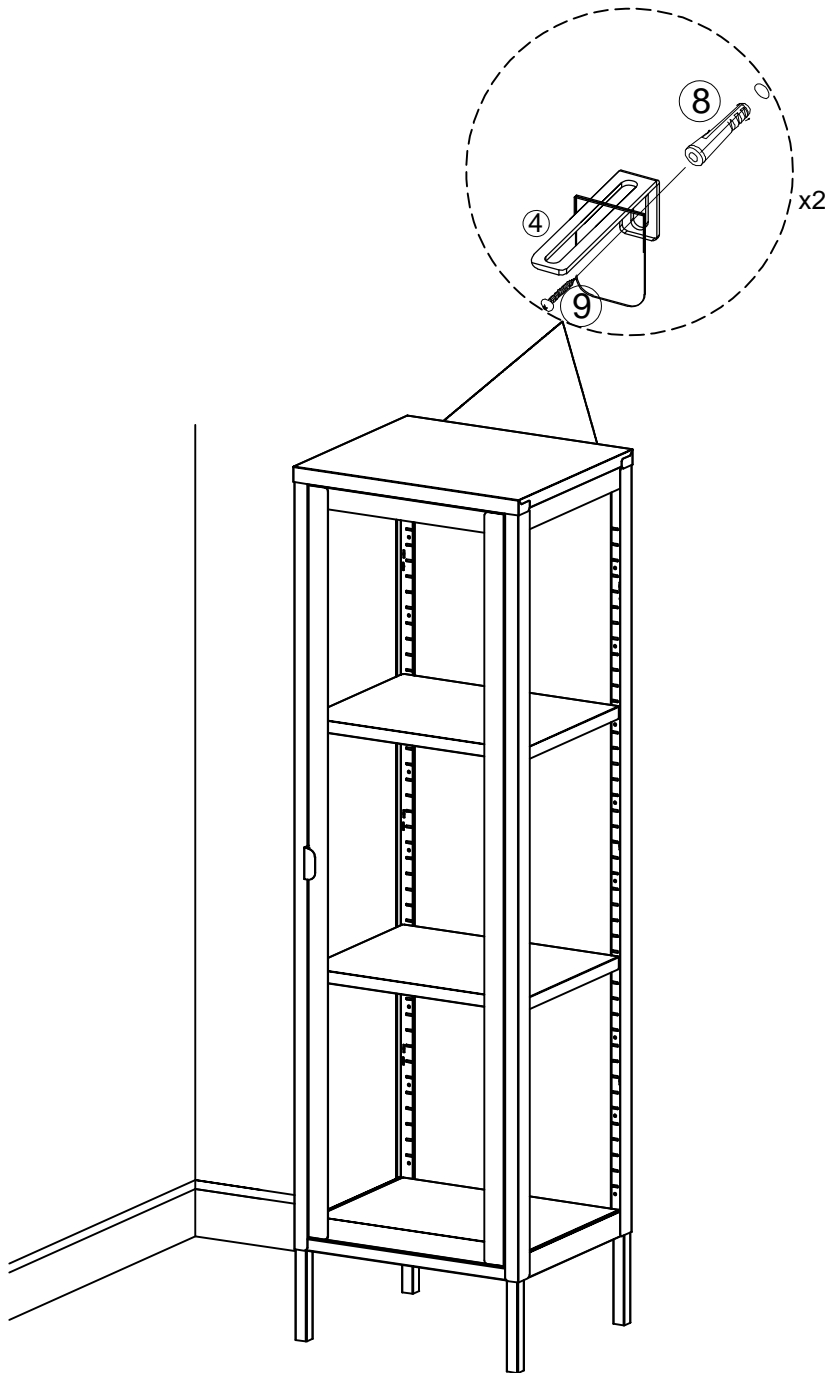
(11) - Attach (6) to (C) as below shown.



spare parts of glass buckle



(11)



Gaps may appear between the top of the doors and the frame if the item is not on level ground; use the plastic foot cover to level.